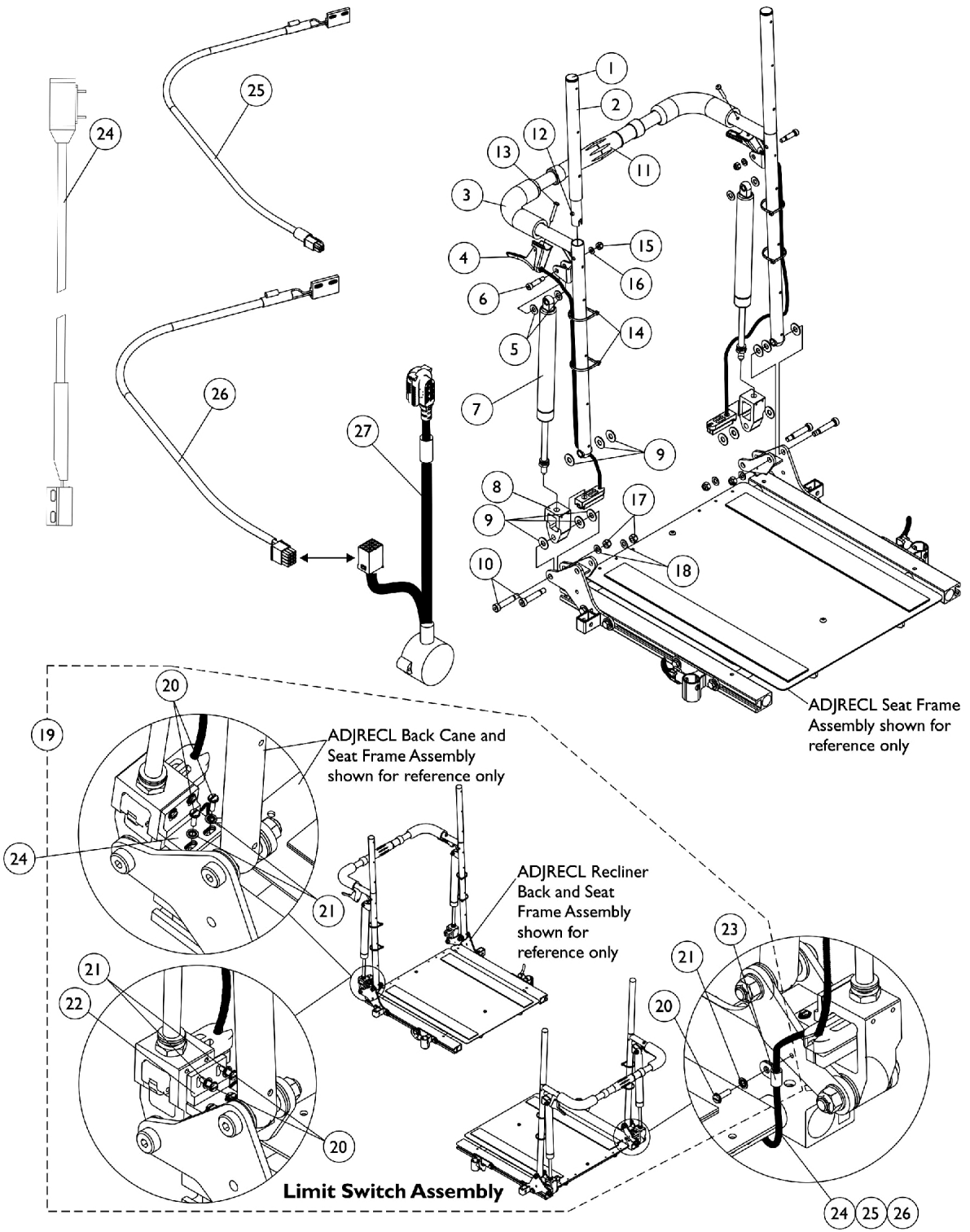


Recliner Back Assembly

For ADJRECL Seat Frames (After 7/4/05)



Recliner Back Assembly For ADJRECL Seat Frames (After 7/4/05)

Item Number	Note	Part Number	Description	Quantity Per	
				Package	Assembly
1		1027095	Plug Button, Black (7/8")	1	2
2		1052997-NLA	NLA - Headrest Tube Assembly, Black - Right	1	1
2		1052998-NLA	NLA - Headrest Tube Assembly, Black - Left	1	1
3		See Chart	#3 Back Cane with Grip	1	1
4	B	1050214	Cable with Trigger	1	2
4	C	1050215	Cable with Trigger	1	2
4	D	1050216	Cable with Trigger	1	2
5		1026032	Washer, Nylon (11/32 x 11/16 x 1/16")	1	4
6		1050153	Screw, Shoulder Hex Socket Head (5/16 x 7/8", 1/4-20)	1	2
7	E	1050154	Cylinder, Lock, Recline	1	2
7	F	1050306	Cylinder, Lock	1	2
8		1050136	Pivot, Block	1	2
9		1012371	Washer, Nylon (3/8 x 7/8 x 1/16")	1	12
10		1031665	Screw, Shoulder Hex Socket Head (3/8 x 1-1/2", 5/16-18)	1	4
11	G	1050293	Bar, Spreader, Black (14-20" W)	1	1
11	H	1050294	Bar, Spreader, Black (21-24" W)	1	1
12		1024713	Spring, Torsion w/ Button	1	2
13		1091417-NLA	NLA - Screw, Phillips Pan Head (#10-24 x 1-1/4")	1	2
14		1095503-NLA	NLA - Package, Tie Wrap (5-5/8" L)	10	1
15		1025736	Locknut (1/4-20)	1	2
16		1026907	Washer (1/4 x 1/2 x 1/16")	1	2
17		1026158	Locknut (5/16-18)	1	4
18		1025704	Washer, Flat (5/16 x 5/8 x 1/16")	1	4
19	A	1134498	Kit, Limit Switch Assembly	1	1
20			NLA - Screw, Slotted Hex Washer Head Tap (#4-3/8")	1	5
21			NLA - Washer, Internal Tooth Lock (#4-40)	1	5
22			Sensor, Actuator Switch	1	1
23			NLA - Clamp, Cable	1	1
24		1092913-NLA	NLA - Cable, Drive Lockout Sensor	1	1
25	I	1146573-NLA	NLA - Cable, Drive Lockout Sensor, MK6i	1	1
26	J	1144926	Cable, Drive Lockout Sensor, MK6i	1	1
27	K	1142231	Cable, GB TT Interface	1	1

NOTE: A - Includes items 20-23. Cable sensor is not included, see item 24, 25 or 26
 B - 26" high back canes
 C - 22-24" high back canes
 D - 18-20" high back canes
 E - 250 lb. weight limit
 F - 251-400 lb. weight limit
 G - 16-17" wide
 H - 18-24" wide
 I - Sensor Cable used for chairs manufactured with MK6i electronics and 4-Pole Motors only.
 J - Sensor Cable used with item 27 GB TT Interface Cable for chairs manufactured with MK6i Electronics and GB TT Motors
 K - Interface Cable used with item 26 Sensor Cable for chairs manufactured with MK6i Electronics and GB TT Motors

Recliner Back Assembly
For ADJRECL Seat Frames (After 7/4/05)

#3 Back Cane with Grip

Back Height	16"-17" Wide Rt.	16"-17" Wide Lt.	18"-24" Wide Rt.	18"-24" Wide Lt.
18" H	1052079	1052080	1052089	1052090
20" H	1052081	1052082	1052091	1052092
22" H	1052083	1052084	1052093	1052094
24" H	1052085	1052086	1052095	1052096
26" H	1052087	1052088	1052097	1052098