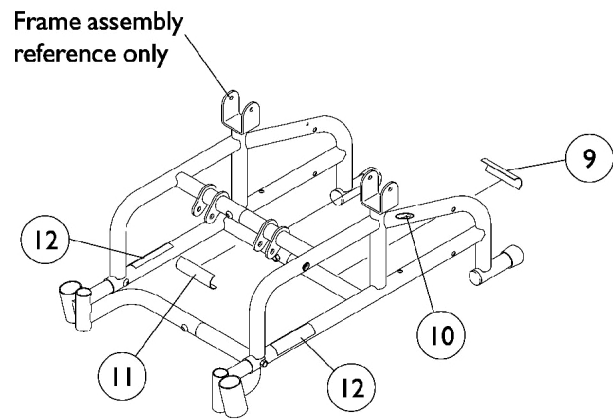
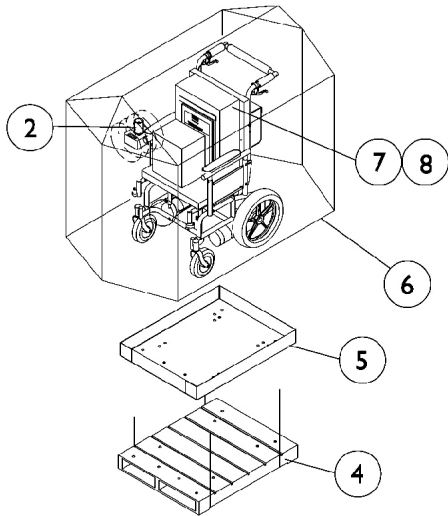
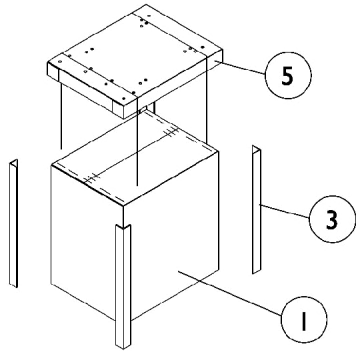


Packaging, Literature and Decals



Packaging, Literature and Decals

Item Number	Note	Part Number	Description	Quantity Per	
				Package	Assembly
1		1030364	Carton, Cover	1	1
2		1023612-NLA	NLA - Tube, Paper	1	1
3		1115174	Carton, Corner Reinforcement	1	4
4	E	See Note	See Footnote	1	1
5		1030362	Carton, Tray	1	2
6		1015592	Bag, Poly (72" L x 35" W x 19" D)	1	1
7	F	40131X011-NLA	NLA - Carton, Front Riggings	1	1
8		40131X161	Insert, Plain Pad	1	1
9		1035900	Decal, Transportation	1	1
10	C	1095497	Decal, Invacare Logo (1.6)	1	2
11		1119281-NLA	NLA - Plate, Name, Patent Numbers	1	1
12	B,C	1095220-NLA	NLA - Decal, Model, Black - Power Tiger	1	2
12	C	1095221-NLA	NLA - Decal, Model, White - Power Tiger	1	2
	A,D	1038410-NLA	NLA - Package, Decal, Black - Power Tiger	1	1
	A,D	1038409-NLA	NLA - Package, Decal, White - Power Tiger	1	1
	D	1134839-NLA	NLA - Owner's Manual	1	1

NOTE: A - Decal Package includes Invacare logo, model, transportation and patent number decals.
 B - Used for chairs with frame colors 02P, 29P, 30P and 84P only.
 C - Invacare logo added and model decals changed 1/11/2000. When replacing side frames before 1/11/2000 order decals in pairs to match.
 D - Not Shown.
 E - Wood Skid is not supplied.
 F - Can also be used for a Joystick Carton.

Note: When adjusting or replacing parts, please refer to your owner's manual for assistance.