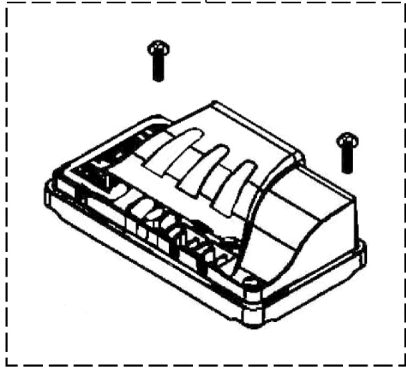
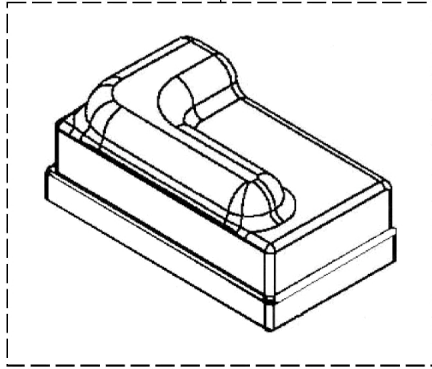


Chargers - Controller & Cable Cover

1



2



3



4



5



SCP_029A

Chargers - Controller & Cable Cover

Item Number	Note	Part Number	Description	Quantity Per	
				Package	Assembly
1	A,B	1148828	Controller R-Series (DR-90) w/ Hardware	1	1
2		1148829-NLA	NLA - Cover, Plastic Cable	1	1
3	A,C	1148830	Charger, Off-Board, 24 DC (5 AMP)	1	1
4		1144798	Cable, Charger	1	1
5		1165866	Cable, Charger w/ Fuse	1	1
NOTE: A - The Controller and Charger may or may not reflect the true look of the controller supplied. B - Includes controller and (2) attaching screws. C - The Charger does not come with the Power Cable, order 1144798 when ordering this item.					