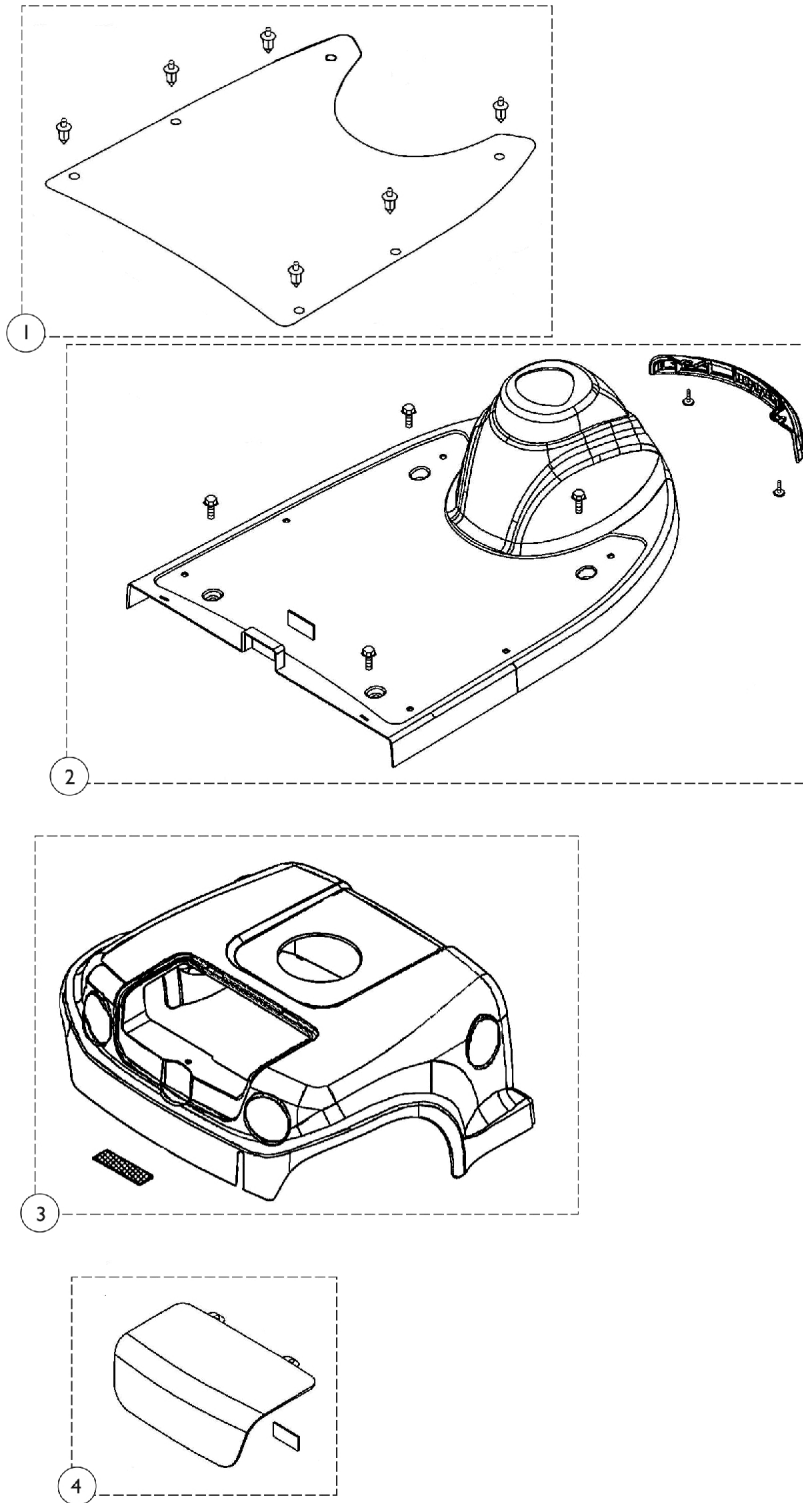


Floor Mats, Main and Rear Shrouds

Due to design change, Invacare recommends replacing all blue shrouds on scooters manufactured after serial number 10BCT600381 in order to maintain a unified appearance.



Floor Mats, Main and Rear Shrouds

Due to design change, Invacare recommends replacing all blue shrouds on scooters manufactured after serial number 10BCT600381 in order to maintain a unified appearance.

Item Number	Note	Part Number	Description	Quantity Per	
				Package	Assembly
1		1148851	Kit, Floor Mat w/ Hardware Includes: (1) ea. Rubber Pad and (6) ea. Push Rivets.	1	1
2	A	1144816	Package, Push Rivet	25	1
2		1148855	Kit, Floor Shroud, Red Includes: (1) ea. 3-D Invacare Logo, (1) ea. Front Shroud - Red, (4) ea. Shield Bolts, (1) ea. Front Bumper Cover, (2) ea. Bolt, (1) ea. Hook & Loop, (1) ea. Weight Capacity Decal, and (1) ea. Warning Label.	1	1
2	B	1148856	Kit, Floor Shroud, Blue Includes: (1) ea. 3-D Invacare Logo, (1) ea. Front Shroud - Blue, (4) ea. Shield Bolts, (1) ea. Front Bumper Cover, (2) ea. Bolt, (1) ea. Hook & Loop, (1) ea. Weight Capacity Decal, and (1) ea. Warning Label.	1	1
2	C	1148171	Kit, Floor Shroud, Onyx Includes: (1) ea. 3-D Invacare Logo, (1) ea. Front Shroud - Onyx, (4) ea. Shield Bolts, (1) ea. Front Bumper Cover, (2) ea. Bolt, (1) ea. Hook & Loop, (1) ea. Weight Capacity Decal, and (1) ea. Warning Label.	1	1
3		1148857	Kit, Rear Shroud, Red Includes: (1) ea. Drive/Push Decal, (1) ea. Rear Shroud - Red, (1) ea. Hook & Loop, and (2) ea. Lynx Side Logo Decals.	1	1
3	B	1148858	Kit, Rear Shroud, Blue Includes: (1) ea. Drive/Push Decal, (1) ea. Rear Shroud - Blue, (1) ea. Hook & Loop, and (2) ea. Lynx Side Logo Decals.	1	1

Floor Mats, Main and Rear Shrouds

Due to design change, Invacare recommends replacing all blue shrouds on scooters manufactured after serial number 10BCT600381 in order to maintain a unified appearance.

Item Number	Note	Part Number	Description	Quantity Per	
				Package	Assembly
3	C	1148172	Kit, Rear Shroud, Onyx Includes: (1) ea. Drive/Push Decal, (1) ea. Rear Shroud - Onyx, (1) ea. Hook & Loop, and (2) ea. Lynx Side Logo Decals.	1	1
4		1148853	Cover, Shroud Tail w/ Decal, Red	1	1
4	B	1148854-NLA	NLA - Cover, Shroud Tail w/ Decal, Blue	1	1
4	C	1169667	Cover, Shroud Tail w/ Decal, Onyx	1	1
NOTE: A - Not Shown B - To be used on scooters built before serial number 10BCT600382. C - To be used on scooter built after serial number 10BCT600381.					