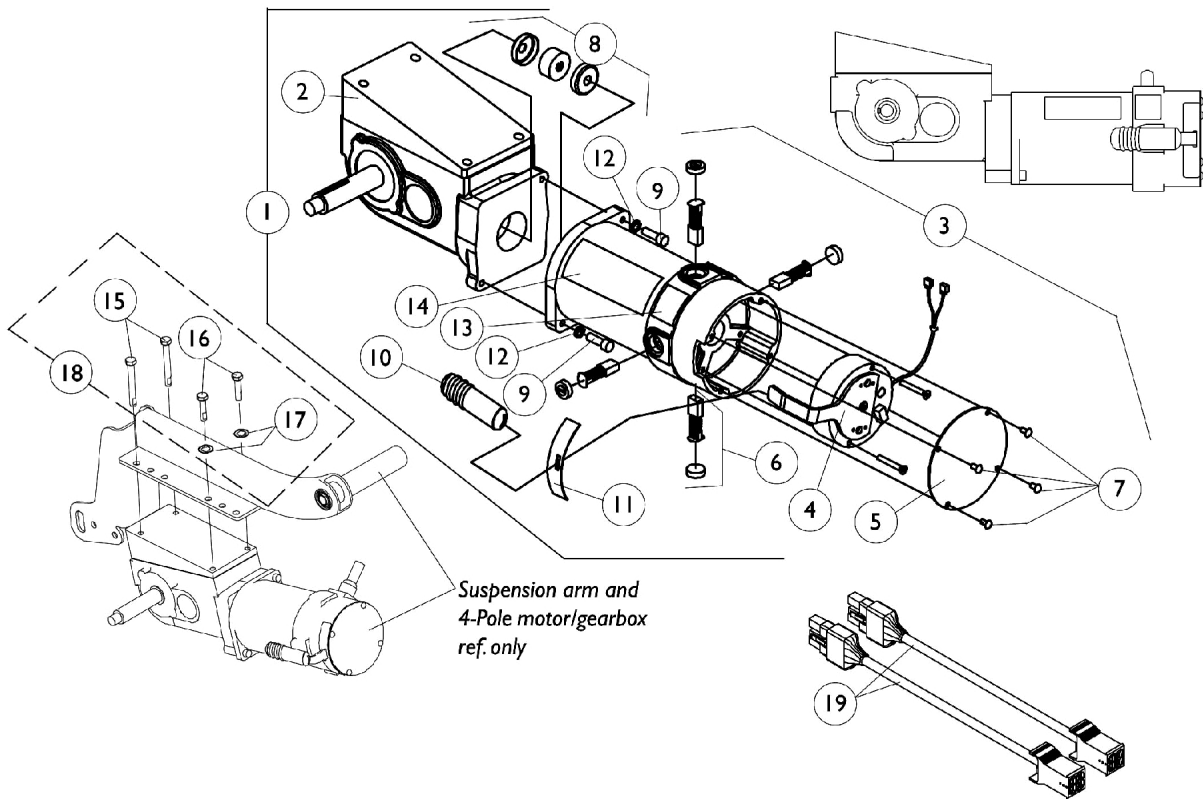


# 4-Pole Motors and Gearboxes

## For MKIV Electronics Before 10/9/06

NOTE: 4-Pole motors are standard on Ranger X, all Torque SP weight limits and available on Arrow (301-400HD) models.



## 4-Pole Motors and Gearboxes For MKIV Electronics Before 10/9/06

**NOTE: 4-Pole motors are standard on Ranger X, all Torque SP weight limits and available on Arrow (301-400HD) models.**

### Ranger X and Torque SP w/ (PERF)

Item Number	Description	Ranger X and Torque SP w/ (PERF) Right Side	Ranger X and Torque SP w/ (PERF) Left Side
		See Note(s) B	See Note(s) B
1.	Motor/ Gearbox	1104823 See Note(s) G	1104824 See Note(s) G
2.	Gear Box	1086223 See Note(s) E	1086224-NLA See Note(s) E
3.	Motor Assembly with Decals See Note(s) A	1104869-NLA	1104870-NLA
4.	Brake Repair Kit	1070294-NLA See Note(s) I	1070295-NLA See Note(s) I
5.	Brake Cover with Screws	1104402-NLA	1104402-NLA
6.	Brushes w/ Caps	1070296-NLA See Note(s) H	1070296-NLA See Note(s) H
7.	Screw, SHC (8-32 x 1/4")	See Item 5	See Item 5
8.	Coupling w/ Cup (1" Diameter)	5165204-NLA See Note(s) C	5165204-NLA See Note(s) C
8.	Coupling w/ Cup (1-5/16" Diameter)	50000X007-NLA See Note(s) D	50000X007-NLA See Note(s) D
9. See Note(s) C	Screw, SHC (1/4-20 x 1-1/8")	1043594 See Note(s) E	1043594 See Note(s) E
9.	Screw, SHC (M6 x 1 x 20MM)	1108978 See Note(s) E	1108978 See Note(s) E
10.	Cap, Brake Lever End	1101725	1101725
11.	Slotted Plate	1082985-NLA	1082985-NLA
12.	Lockwasher (1/4 x 1/2 x 1/16")	10502X001-NLA	10502X001-NLA
13.	Decal, Drive/Push	1104797	1104797
14.	Decal, 3200 RPM	1104798-NLA	1104798-NLA
15.	Screw, HHC w/ Patch (5/16-18 x 2-1/2")	1043628-NLA	1043628-NLA
16.	Screw, HHC w/ Patch (5/16-18 x 1-1/4")	1104257	1104257
17. See Note(s) j	Washer, Lock Internal Tooth (M8)	1023263-NLA See Note(s) j	1023263-NLA See Note(s) j
18.	Motor Mounting Hardware (Per Side)	1104894-NLA	1104894-NLA
19.	Harness, Motor Cable Extension	1143143-NLA See Note(s) F	1143143-NLA See Note(s) F
Not Shown	Instruction Sheet, Decal Application	1104913	1104913

## 4-Pole Motors and Gearboxes For MKIV Electronics Before 10/9/06

**NOTE: 4-Pole motors are standard on Ranger X, all Torque SP weight limits and available on Arrow (301-400HD) models.**

NOTE:	A - Decal application instruction sheet is included.
	B - Performance package (PERF) offered on a TorqueSP provides a 6.5 MPH rating.
	C - Coupling with Cup for chairs manufactured before 11/12/01 - use part # 50000X007 as this part's replacement.
	D - After 11/11/01 Coupling with Cup was resized from approximately 1" to 1-5/16" diameter and can be used as a direct replacement for part number 5165204
	E - When a new gearbox or mounting screws are ordered, (2 ea.) metric and (2 ea.) non-metric screws (item 9) must be ordered. Invacare Corp. utilizes alternate suppliers for this part number.
	F - Motor Extension Cables are used only when a Retrofit Seating System Kit is ordered with MK6i upgraded electronics
	G - As of May 2008, the Metal Motor End Cap will be replaced with a Composite Motor End Cap. The change does not affect form, fit, function or aesthetics.
	H - Kit Includes (4) Brushes, (4) Brush Caps and Instruction Sheet.
	I - Use existing screws when installing the Brake Repair Kit. The Motor Brake Mounting Screws are not saleable.
	j - Part #1023263 is no longer available as a service part individually. See item 18 part #1104894 as a replacement.

## 4-Pole Motors and Gearboxes For MKIV Electronics Before 10/9/06

**NOTE: 4-Pole motors are standard on Ranger X, all Torque SP weight limits and available on Arrow (301-400HD) models.**

### Arrow HD and ALL Torque SP's Except Torque SP w/ (PERF)

Item Number	Description	Arrow HD and All Torque SP's Except Torque SP w/ (PERF) Right Side	Arrow HD and All Torque SP's Except Torque SP w/ (PERF) Left Side
		See Note(s) B	See Note(s) B
1.	Motor/ Gearbox	1104825 See Note(s) G	1104826 See Note(s) G
2.	Gear Box	1086225-NLA See Note(s) E	1086226-NLA See Note(s) E
3.	Motor Assembly with Decals See Note(s) A	1104869-NLA	1104870-NLA
4.	Brake Repair Kit	1070294-NLA See Note(s) I	1070295-NLA See Note(s) I
5.	Brake Cover with Screws	1104402-NLA	1104402-NLA
6.	Brushes w/ Caps	1070296 See Note(s) H	1070296 See Note(s) H
7.	Screw, SHC (8-32 x 1/4")	See Item 5	See Item 5
8.	Coupling w/ Cup (1" Diameter)	5165204-NLA See Note(s) C	5165204-NLA See Note(s) C
8.	Coupling w/ Cup (1-5/16" Diameter)	50000X007-NLA See Note(s) D	50000X007-NLA See Note(s) D
9.	Screw, SHC (1/4-20 x 1-1/8")	1043594 See Note(s) E	1043594 See Note(s) E
9.	Screw, SHC (M6 x 1 x 20MM)	1108978 See Note(s) E	1108978 See Note(s) E
10.	Cap, Brake Lever End	1101725	1101725
11.	Slotted Plate	1082985-NLA	1082985-NLA
12.	Lockwasher (1/4 x 1/2 x 1/16")	10502X001-NLA	10502X001-NLA
13.	Decal, Drive/Push	1104797	1104797
14.	Decal, 3200 RPM	1104798-NLA	1104798-NLA
15.	Screw, HHC w/ Patch (5/16-18 x 2-1/2")	1043628-NLA	1043628-NLA
16.	Screw, HHC w/ Patch (5/16-18 x 1-1/4")	1104257	1104257
17. See Note(s) j	Washer, Lock Internal Tooth (M8)	1023263-NLA See Note(s) j	1023263-NLA See Note(s) j
18.	Motor Mounting Hardware (Per Side)	1104894-NLA	1104894-NLA
19.	Harness, Motor Cable Extension	1143143-NLA See Note(s) F	1143143-NLA See Note(s) F
Not Shown	Instruction Sheet, Decal Application	1104913	1104913

# 4-Pole Motors and Gearboxes

## For MKIV Electronics Before 10/9/06

**NOTE: 4-Pole motors are standard on Ranger X, all Torque SP weight limits and available on Arrow (301-400HD) models.**

NOTE:	A - Decal application instruction sheet is included.
	B - Performance package (PERF) offered on a TorqueSP provides a 6.5 MPH rating.
	C - Coupling with Cup for chairs manufactured before 11/12/01 - Use part # 50000X007 as this part's replacement.
	D - After 11/11/01 Coupling with Cup was resized from approximately 1" to 1-5/16" diameter and can be used as a direct replacement for part number 5165204
	E - When a new gearbox or mounting screws are ordered, (2 ea.) metric and (2 ea.) non-metric screws (item 9) must be ordered. Invacare Corp. utilizes alternate suppliers for this part number.
	F - Motor Extension Cables are used only when a Retrofit Seating System Kit is ordered with MK6i upgraded electronics
	G - As of May 2008, the Metal Motor End Cap will be replaced with a Composite Motor End Cap. The change does not affect form, fit, function or aesthetics.
	H - Kit includes (4) Brushes, (4) Brush Caps and Instruction Sheet.
	I - Use existing screws when installing the Brake Repair Kit. The Motor Brake Mounting Screws are not saleable.
	j - Part #1023263 is no longer available as a service part individually. See item 18 part #1104894 as a replacement.