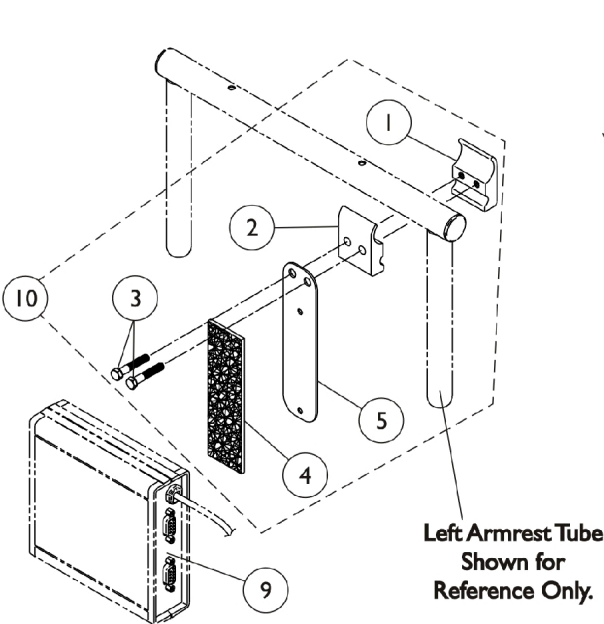
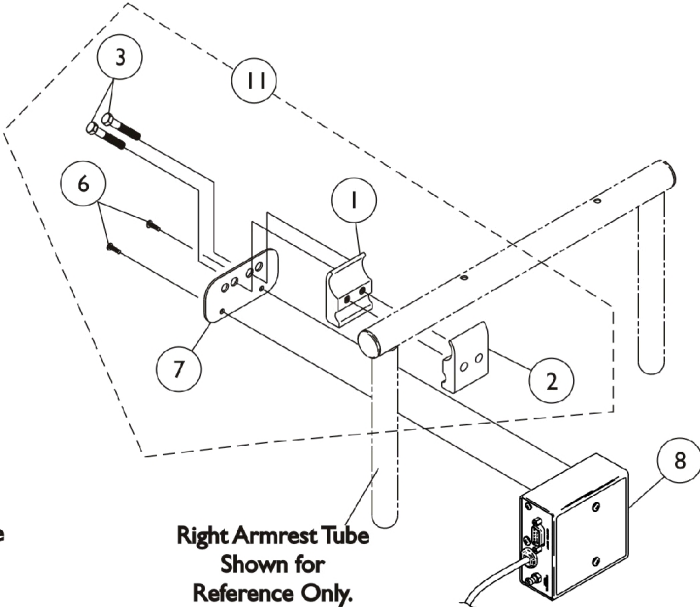


MKIV Sip-N-Puff/Digital Interface and COM12 and COM34



COM12 And COM34 ON CHAIR
1038639 1086241 OFF CHAIR



SNPM4 ON CHAIR
1038635 OFF CHAIR

MKIV Sip-N-Puff/Digital Interface and COM12 and COM34

Item Number	Note	Part Number	Description	Quantity Per	
				Package	Assembly
8		1038635-NLA	NLA - Sip-N-Puff w/ Digital Interface	1	1
9		See Note	See Footnote	1	1
9		1086241-NLA	NLA - Module, Communication, COM34/AUX34	1	1
10	A	1049592-NLA	NLA - Kit, COM12/AUX12 and COM34/AUX34 Mounting Hardware	1	1
1			NLA - Half Clamp, Threaded Holes	1	1
2			Half Clamp, Non-Threaded Holes	1	1
3			NLA - Screw, Hex Head (1/4-20 x 1-1/8")	1	2
4			NLA - Fastener, Dual Lock Hook and Loop Adhesive (2" W x 12" L)	1	1
5			NLA - Plate, COM12/AUX12 and COM34/AUX34 Mounting	1	1
11	B,C	1049593	Kit, SNP/DI, MK5 SAC, 4WSB, S4WSB, GTAM, AUX12M6, AUX34M6 Mtg. Hdw.	1	1
1			NLA - Half Clamp, Threaded Holes	1	1
2			Half Clamp, Non-Threaded Holes	1	1
3			NLA - Screw, Hex Head (1/4-20 x 1-1/8")	1	2
6			Screw, Phillips Pan Head (#4-40 x 3/8")	1	2
7			Plate, Mounting	1	1
<p>NOTE: A - Mounting hardware includes items 1-5. Item 4 that is packaged with the kit will only be a 4" long "loop" fastener B - Includes items 1-3 and 6-7 C - As of 5/22/07 the Mounting Plate holes and the orientation of the Hardware was revised to attach the electronics closer to the chair. The Mounting Hardware Kit is backward compatible.</p>					