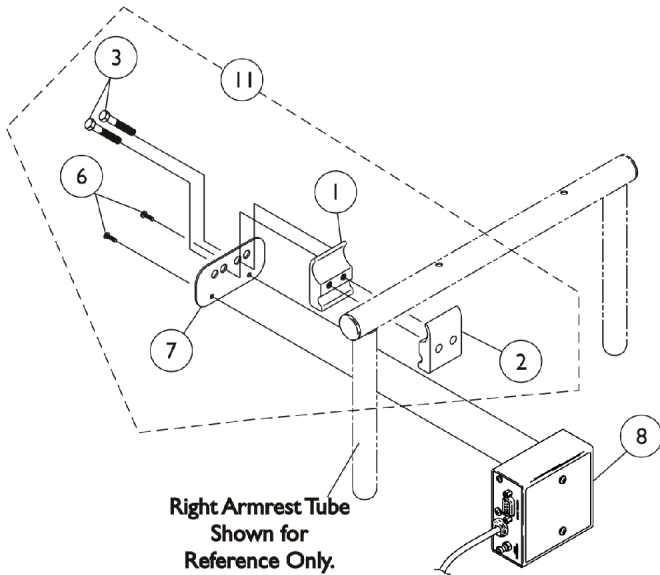
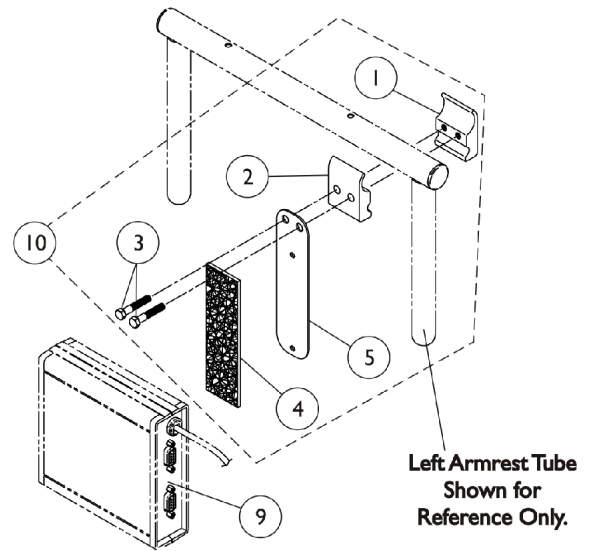


MKIV Sip-N-Puff/Digital Interface and COM12 and COM34



SNPM4 ON CHAIR
1038635 OFF CHAIR



COM12 And COM34 ON CHAIR
1038639 1086241 OFF CHAIR

Item Number	Note	Part Number	Description	Quantity Per	
				Package	Assembly
8		1038635-NLA	NLA - Sip-N-Puff w/ Digital Interface	1	1
9	D	See Note	See Footnote	1	1
9		1086241-NLA	NLA - Module, Communication, COM34/AUX34	1	1
10	A	1049592-NLA	NLA - Kit, COM12/AUX12 and COM34/AUX34 Mounting Hardware	1	1
1			NLA - Half Clamp, Threaded Holes	1	1
2			Half Clamp, Non-Threaded Holes	1	1
3			NLA - Screw, Hex Head (1/4-20 x 1-1/8")	1	2
4			NLA - Fastener, Dual Lock Hook and Loop Adhesive (2" W x 12" L)	1	1
5			NLA - Plate, COM12/AUX12 and COM34/AUX34 Mounting	1	1
11	B,C	1049593	Kit, SNP/DI, MK5 SAC, 4WSB, S4WSB, GTAM, AUX12M6, AUX34M6 Mtg. Hdw.	1	1
1			NLA - Half Clamp, Threaded Holes	1	1
2			Half Clamp, Non-Threaded Holes	1	1
3			NLA - Screw, Hex Head (1/4-20 x 1-1/8")	1	2
6			Screw, Phillips Pan Head (#4-40 x 3/8")	1	2
7			Plate, Mounting	1	1

NOTE: A - Mounting hardware includes items 1-5. Item 4 that is packaged with the kit will only be a 4" long "loop" fastener. Hook and Loop Fastener replaced the screws shown when the holes were removed from the communication module 7/1/97
 B - Includes items 1-3 and 6-7
 C - As of 5/22/07 the Mounting Plate holes and the orientation of the Hardware was revised to attach the electronics closer to the chair. The Mounting Hardware Kit is backward compatible.
 D - Part is no longer serviceable in the field.