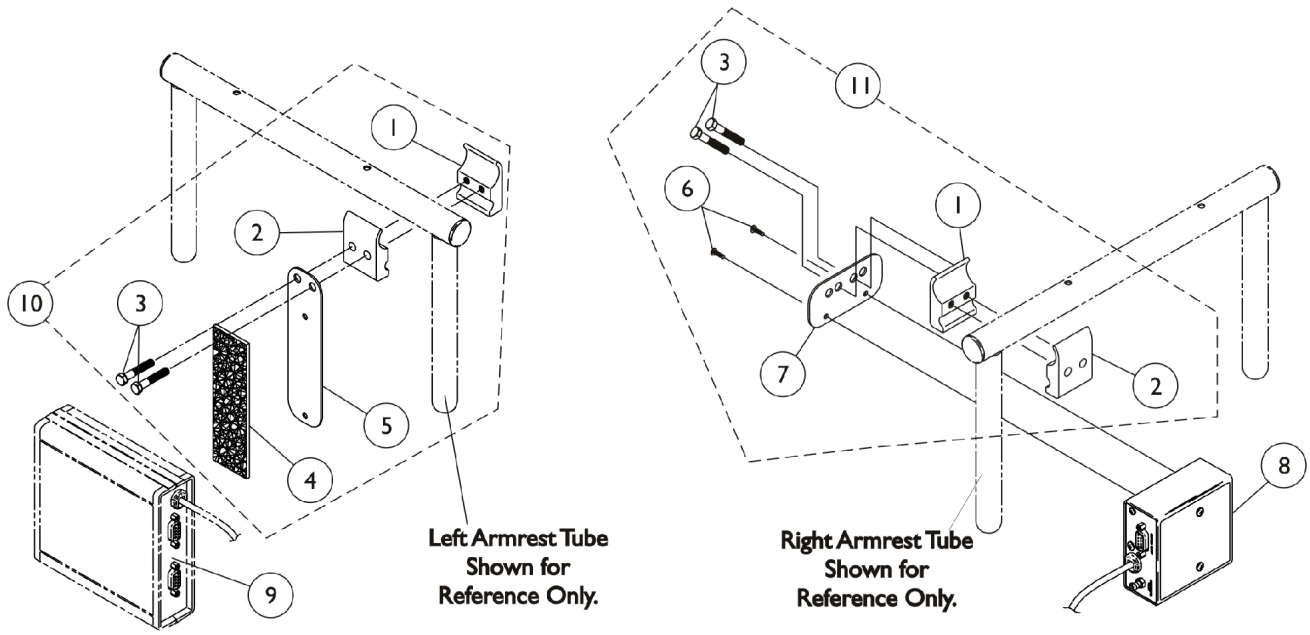


MKIV Sip-N-Puff/Digital Interface and COM12 and COM34



COM12 And COM34 ON CHAIR
1038639 1086241 OFF CHAIR

SNPM4 ON CHAIR
1038635 OFF CHAIR

| Item Number | Note | Part Number | Description | Quantity Per | |
|-------------|------|-------------|---|--------------|----------|
| | | | | Package | Assembly |
| 8 | | 1038635-NLA | NLA - Sip-N-Puff w/ Digital Interface | 1 | 1 |
| 9 | D | See Note | See Footnote | 1 | 1 |
| 9 | | 1086241-NLA | NLA - Module, Communication, COM34/AUX34 | 1 | 1 |
| 10 | A | 1049592-NLA | NLA - Kit, COM12/AUX12 and COM34/AUX34 Mounting Hardware | 1 | 1 |
| 1 | | | NLA - Half Clamp, Threaded Holes | 1 | 1 |
| 2 | | | Half Clamp, Non-Threaded Holes | 1 | 1 |
| 3 | | | NLA - Screw, Hex Head (1/4-20 x 1-1/8") | 1 | 2 |
| 4 | | | NLA - Fastener, Dual Lock Hook and Loop Adhesive (2" W x 12" L) | 1 | 1 |
| 5 | | | NLA - Plate, COM12/AUX12 and COM34/AUX34 Mounting | 1 | 1 |
| 11 | B,C | 1049593 | Kit, SNP/DI, MK5 SAC, 4WSB, S4WSB, GTAM, AUX12M6, AUX34M6 Mtg. Hdw. | 1 | 1 |
| 1 | | | NLA - Half Clamp, Threaded Holes | 1 | 1 |
| 2 | | | Half Clamp, Non-Threaded Holes | 1 | 1 |
| 3 | | | NLA - Screw, Hex Head (1/4-20 x 1-1/8") | 1 | 2 |
| 6 | | | Screw, Phillips Pan Head (#4-40 x 3/8") | 1 | 2 |
| 7 | | | Plate, Mounting | 1 | 1 |

NOTE: A - Mounting hardware includes items 1-5. Item 4 that is packaged with the kit will only be a 4" long "loop" fastener.
 B - Includes items 1-3 and 6-7
 C - As of 5/22/07 the Mounting Plate holes and the orientation of the Hardware was revised to attach the electronics closer to the chair. The Mounting Hardware Kit is backward compatible.
 D - Part is no longer serviceable in the field.