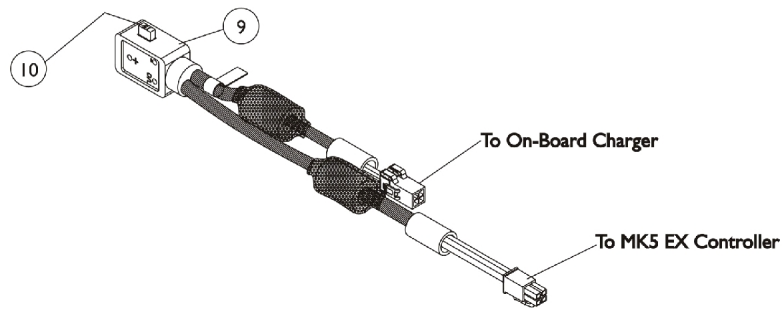
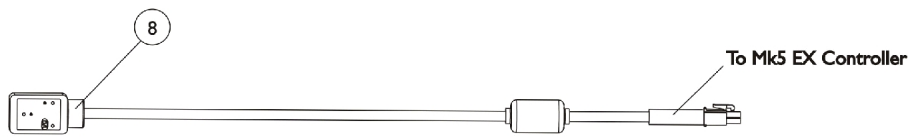
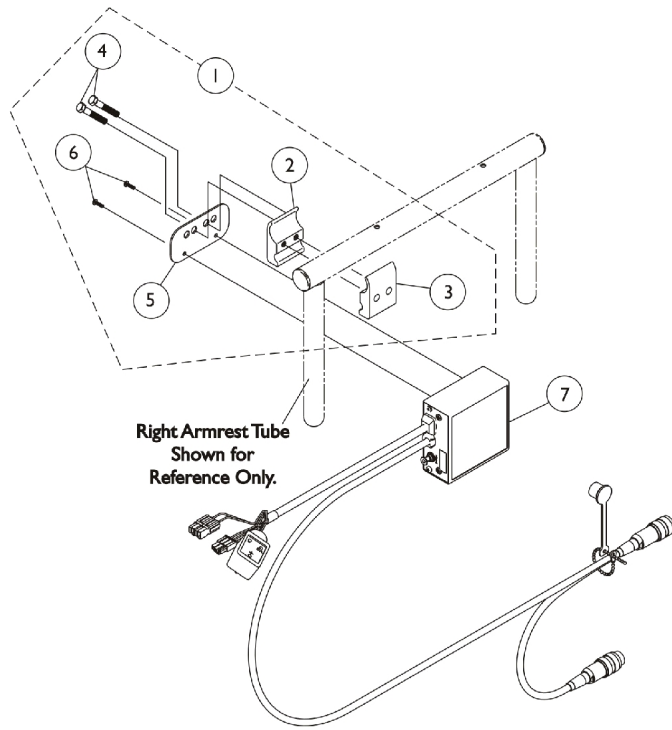


# MK5 SAC & Mounting Hardware



## MK5 SAC & Mounting Hardware

Item Number	Note	Part Number	Description	Quantity Per	
				Package	Assembly
1	E	1049593	Kit, SNP/DI, MK5 SAC, 4WSB, S4WSB, GTAM, AUX12M6, AUX34M6 Mtg. Hdwr.	1	1
2			NLA - Half Clamp, Threaded Holes	1	1
3			Half Clamp, Non-Threaded Holes	1	1
4			NLA - Screw, Hex Head (1/4-20 x 1-1/8")	1	2
5			Screw, Phillips Pan Head (#4-40 x 3/8")	1	2
6			Plate, Mounting	1	1
2		1049584-NLA	NLA - Half Clamp, Threaded Holes	1	1
3		1049586	Half Clamp, Non-Threaded Holes	1	1
4		16690X004-NLA	NLA - Screw, Hex Head (1/4-20 x 1-1/8")	1	2
5		1049590	Plate, Mounting	1	1
6		1052041	Screw, Phillips Pan Head (#4-40 x 3/8")	1	2
7	D	1119458-NLA	NLA - Control, MK5 SAC	1	1
8	B	1119418	Cable, Auxiliary Power	1	1
9	C	1127429-NLA	NLA - Cable, Splitter Auxiliary Power	1	1
10		1090117-NLA	NLA - Fuse - Buss Mini ATM-15 (15 AMP)	1	1

NOTE: B - Used for TDX models  
C - Used for Pronto M71 and M91 models with on-board chargers  
D - MK5 SAC was discontinued 1/6/06 and replaced with a MK5 TAC. See page titled " MK5 TAC and Mounting Hardware".  
E - As of 5/22/07 the Mounting Plate holes and the orientation of the Hardware was revised to attach the electronics closer to the chair. The Mounting Hardware Kit is backward compatible.