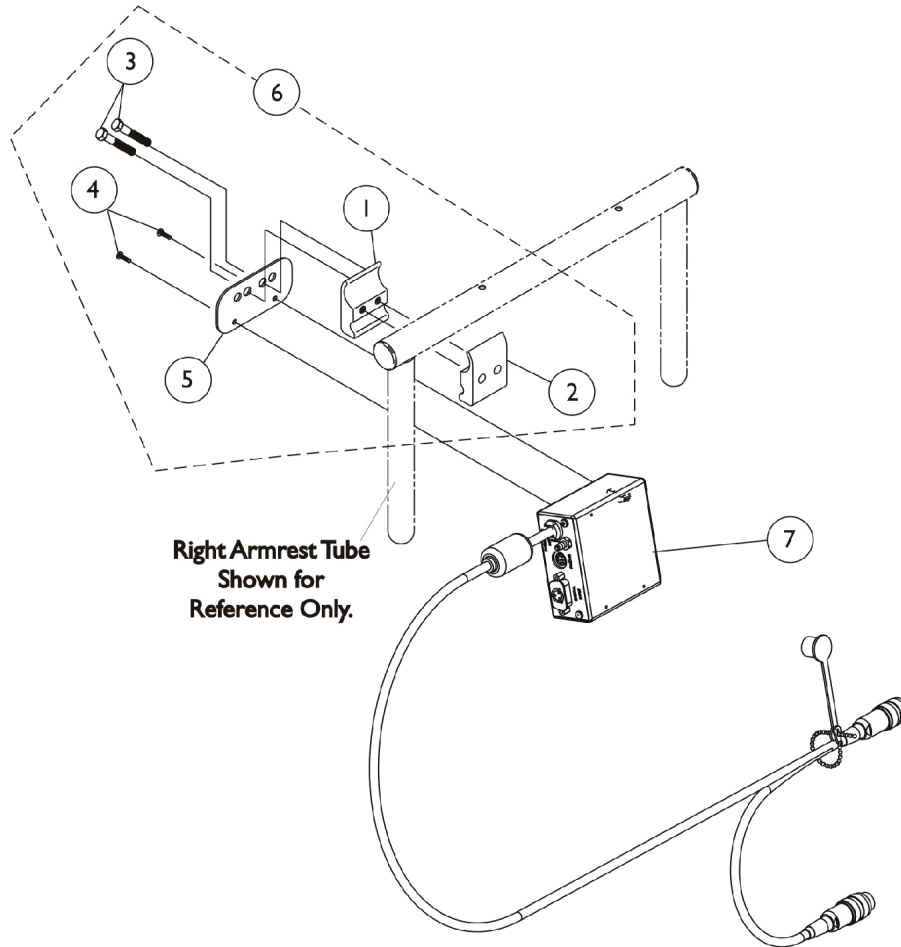


# Sip-N-Puff / Digital Interface 1554M5 and Attaching Hardware

Sip-N-Puff/Digital Interface (1554M5) is required when using Proportional Attendant Control (PACM5)



Item Number	Note	Part Number	Description	Quantity Per	
				Package	Assembly
6	A,B	1049593	Kit, SNP/DI, MK5 SAC, 4WSB, S4WSB, GTAM, AUX12M6, AUX34M6 Mtg. Hdwr.	1	1
1			NLA - Half Clamp, Threaded Holes	1	1
2			Half Clamp, Non-Threaded Holes	1	1
3			NLA - Screw, Hex Head (1/4-20 x 1-1/8")	1	2
4			Screw, Phillips Pan Head (#4-40 x 3/8")	1	2
5			Plate, Mounting	1	1
7		1122229-NLA	NLA - Sip-N-Puff w/ Digital Interface - MK5	1	1

NOTE: A - Includes items 1-5  
 B - As of 5/22/07 the Mounting Plate holes and the orientation of the Hardware was revised to attach the electronics closer to the chair. The Mounting Hardware Kit is backward compatible.