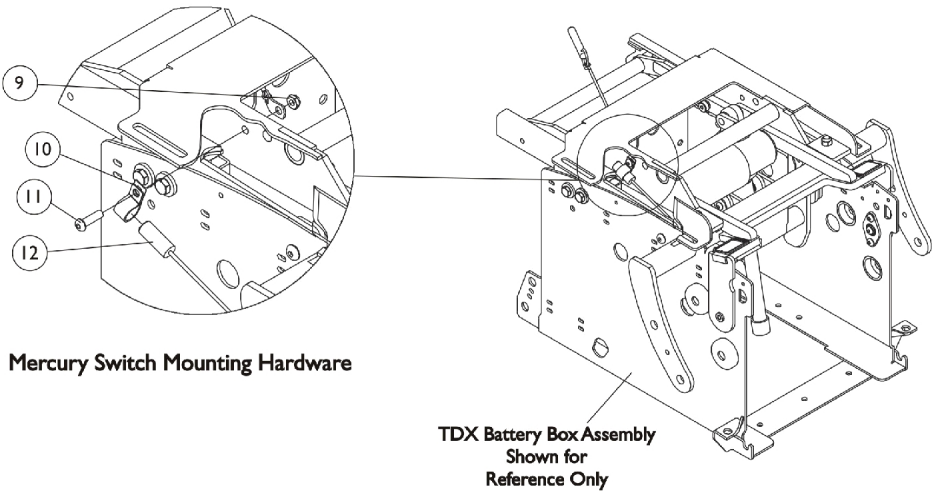
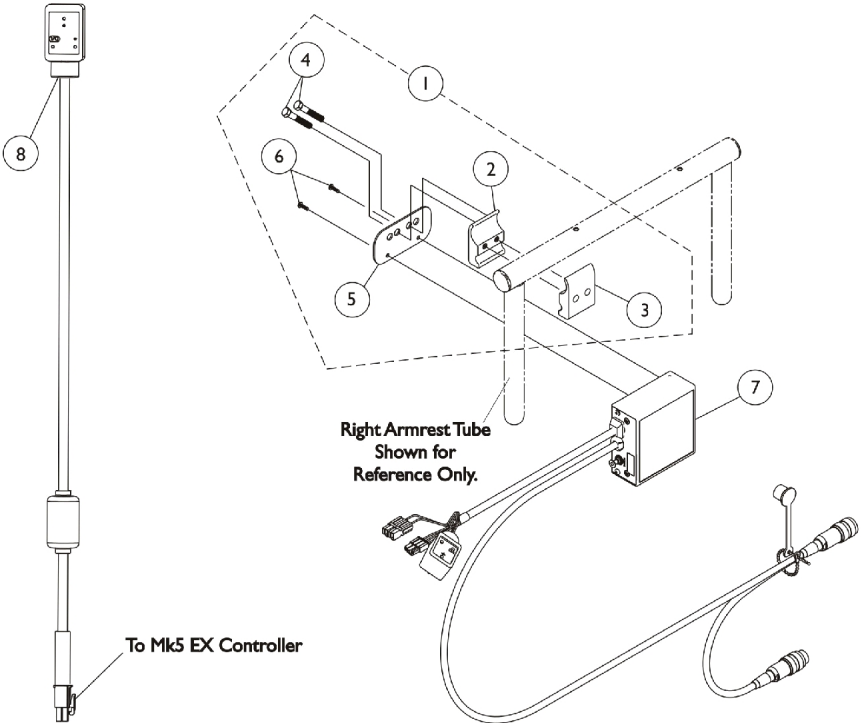


Electronics

MK5 SAC and Mounting Hardware

As of 7/1/2009, switches are mercury free.



Electronics

MK5 SAC and Mounting Hardware

As of 7/1/2009, switches are mercury free.

Item Number	Note	Part Number	Description	Quantity Per	
				Package	Assembly
1	A,C	1049593	Kit, SNP/DI, MK5 SAC, 4WSB, S4WSB, GTAM, AUX12M6, AUX34M6 Mtg. Hdwr.	1	1
2			NLA - Half Clamp, Threaded Holes	1	1
3			Half Clamp, Non-Threaded Holes	1	1
4			NLA - Screw, Hex Head (1/4-20 x 1-1/8")	1	2
5			Plate, Mounting	1	1
6			Screw, Phillips Pan Head (#4-40 x 3/8")	1	2
7	B	1119458-NLA	NLA - Control, MK5 SAC	1	1
8		1119418	Cable, Auxiliary Power	1	1
9		1025195	Locknut (1/4-20)	1	1
10		0062800-NLA	NLA - Bracket, Cable/Wire Mounting, Black	1	1
11		1028410-NLA	NLA - Screw, Socket Button Head (1/4-20 x 7/8")	1	1
12		1080635-NLA	NLA - Harness, Recline/Tilt Limit Mercury Free Ball Switch	1	1

NOTE: A - Includes items 2-6
 B - The MK5 SAC was discontinued 1/6/06 and replaced with a MK5 TAC. See page titled " MK5 TAC and Mounting Hardware (For MK5 SAC Conversion)"
 C - As of 5/22/07 the Mounting Plate holes and the orientation of the Hardware was revised to attach the electronics closer to the chair. The Mounting Hardware Kit is backward compatible.