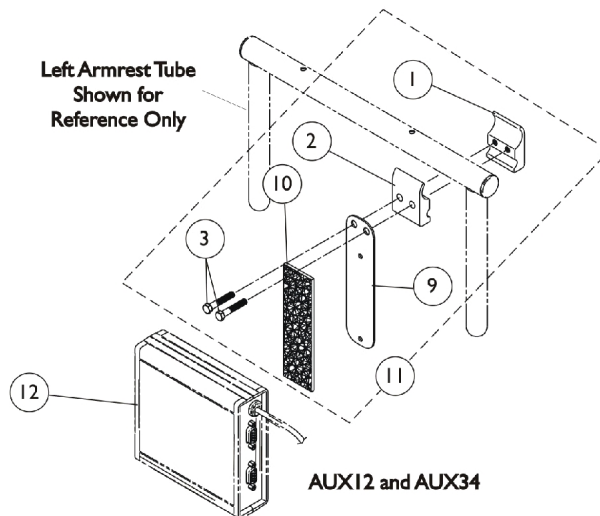
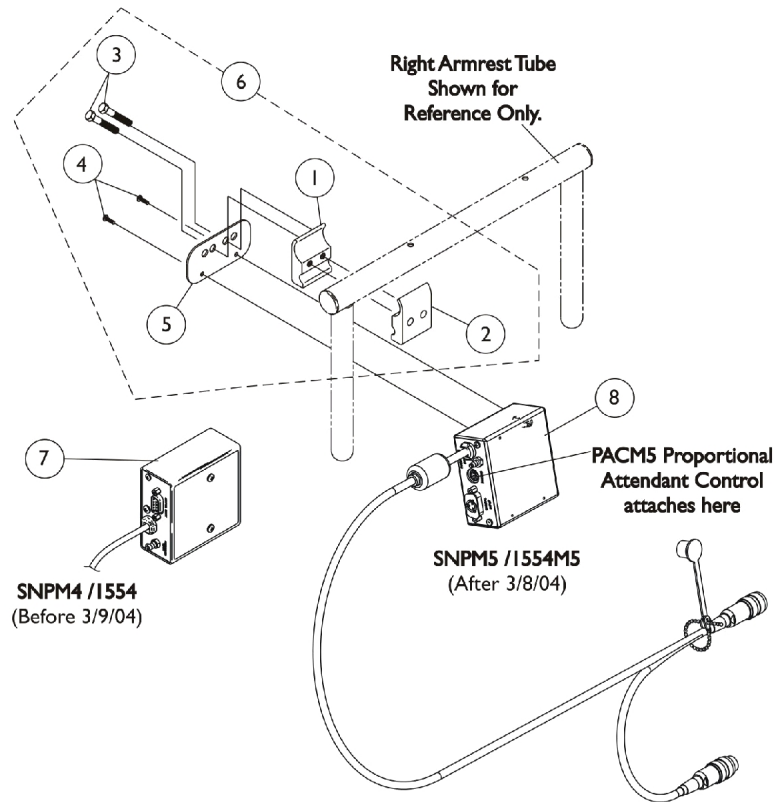


# Sip-N-Puff/Digital Interface and AUX12 and AUX34 1554M4/1554M5

Sip-N-Puff/Digital Interface (1554M5) is required when using Proportional Attendant Control (PACM5)



# Sip-N-Puff/Digital Interface and AUX12 and AUX34 1554M4/1554M5

Sip-N-Puff/Digital Interface (1554M5) is required when using Proportional Attendant Control (PACM5)

Item Number	Note	Part Number	Description	Quantity Per	
				Package	Assembly
6	A,E	1049593	Kit, SNP/DI, MK5 SAC, 4WSB, S4WSB, GTAM, AUX12M6, AUX34M6 Mtg. Hdw.	1	1
1			NLA - Half Clamp, Threaded Holes	1	1
2			Half Clamp, Non-Threaded Holes	1	1
3			NLA - Screw, Hex Head (1/4-20 x 1-1/8")	1	2
4			Screw, Phillips Pan Head (#4-40 x 3/8")	1	2
5			Plate, Mounting	1	1
7	B	1038635-NLA	NLA - Sip-N-Puff w/ Digital Interface	1	1
8	C	1122229-NLA	NLA - Sip-N-Puff w/ Digital Interface - MK5	1	1
11	D	1049592-NLA	NLA - Kit, COM12/AUX12 and COM34/AUX34 Mounting Hardware	1	1
1			NLA - Half Clamp, Threaded Holes	1	1
2			Half Clamp, Non-Threaded Holes	1	1
3			NLA - Screw, Hex Head (1/4-20 x 1-1/8")	1	2
9			NLA - Fastener, Dual Lock Hook and Loop Adhesive (2" W x 12" L)	1	1
10			NLA - Plate, COM12/AUX12 and COM34/AUX34 Mounting	1	1
12		See Note-NLA	See Footnote	1	1
12		1086241-NLA	NLA - Module, Communication, COM34/AUX34	1	1

NOTE: A - Includes items 1-5  
 B - Before 3/9/04 - MKIV Electronics  
 C - After 3/8/04 - MK5 Electronics  
 D - Includes items 1-3, & 9-10. Item 9 that is packaged with the kit will only be a 4" long "loop" fastener  
 E - As of 5/22/07 the Mounting Plate holes and the orientation of the Hardware was revised to attach the electronics closer to the chair. The Mounting Hardware Kit is backward compatible.