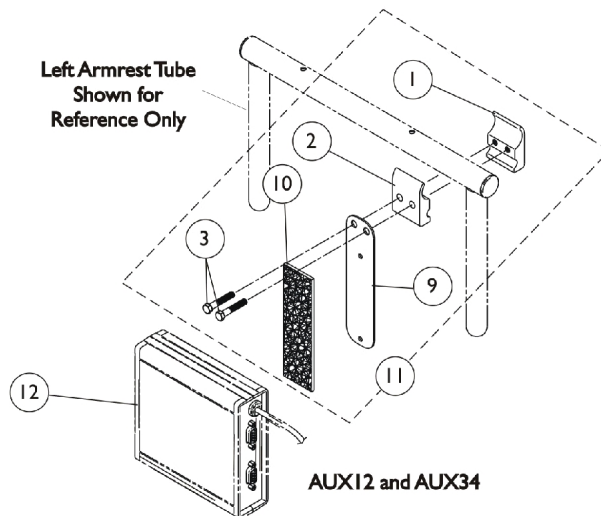
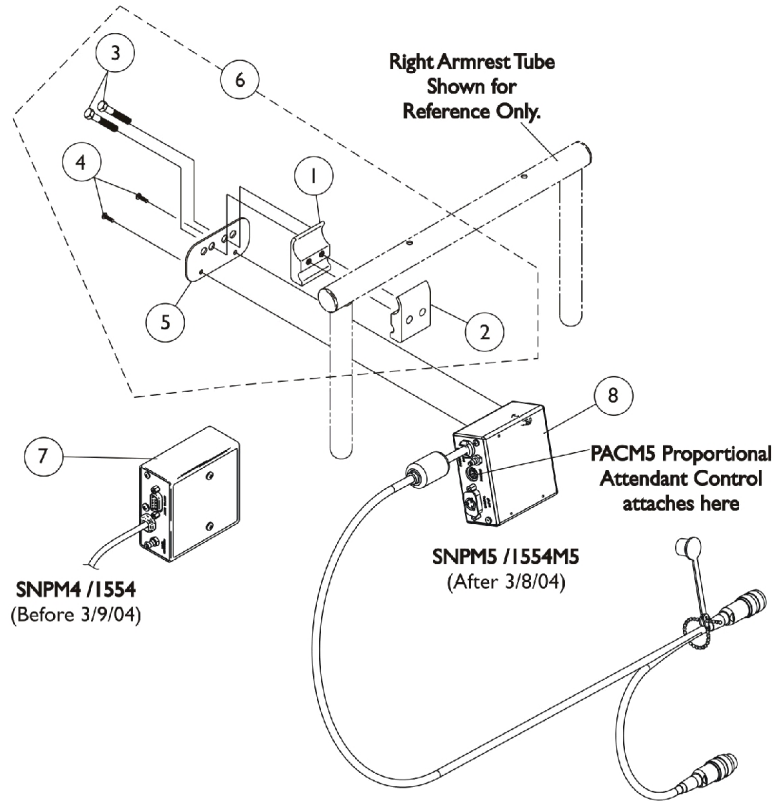


Sip-N-Puff / Digital Interface and AUX12 and AUX34 1554M4/1554M5

Sip-N-Puff/Digital Interface (1554M5) is required when using Proportional Attendant Control (PACM5)



Sip-N-Puff / Digital Interface and AUX12 and AUX34 1554M4/1554M5

Sip-N-Puff/Digital Interface (1554M5) is required when using Proportional Attendant Control (PACM5)

| Item Number | Note | Part Number | Description | Quantity Per | |
|-------------|------|--------------|---|--------------|----------|
| | | | | Package | Assembly |
| 6 | A,E | 1049593 | Kit, SNP/DI, MK5 SAC, 4WSB, S4WSB, GTAM, AUX12M6, AUX34M6 Mtg. Hdw. | 1 | 1 |
| 1 | | | NLA - Half Clamp, Threaded Holes | 1 | 1 |
| 2 | | | Half Clamp, Non-Threaded Holes | 1 | 1 |
| 3 | | | NLA - Screw, Hex Head (1/4-20 x 1-1/8") | 1 | 2 |
| 4 | | | Screw, Phillips Pan Head (#4-40 x 3/8") | 1 | 2 |
| 5 | | | Plate, Mounting | 1 | 1 |
| 7 | B | 1038635-NLA | NLA - Sip-N-Puff w/ Digital Interface | 1 | 1 |
| 8 | C | 1122229-NLA | NLA - Sip-N-Puff w/ Digital Interface - MK5 | 1 | 1 |
| 11 | D | 1049592-NLA | NLA - Kit, COM12/AUX12 and COM34/AUX34 Mounting Hardware | 1 | 1 |
| 1 | | | NLA - Half Clamp, Threaded Holes | 1 | 1 |
| 2 | | | Half Clamp, Non-Threaded Holes | 1 | 1 |
| 3 | | | NLA - Screw, Hex Head (1/4-20 x 1-1/8") | 1 | 2 |
| 9 | | | NLA - Fastener, Dual Lock Hook and Loop Adhesive (2" W x 12" L) | 1 | 1 |
| 10 | | | NLA - Plate, COM12/AUX12 and COM34/AUX34 Mounting | 1 | 1 |
| 12 | F | See Note-NLA | See Footnote | 1 | 1 |
| 12 | | 1086241-NLA | NLA - Module, Communication, COM34/AUX34 | 1 | 1 |

NOTE: A - Includes items 1-5
 B - Before 3/9/04 - MKIV Electronics
 C - After 3/8/04 - MK5 Electronics
 D - Includes items 1-3, & 9-10. Item 9 that is packaged with the kit will only be a 4" long "loop" fastener.
 E - As of 5/22/07 the Mounting Plate holes and the orientation of the Hardware was revised to attach the electronics closer to the chair. The Mounting Hardware Kit is backward compatible.
 F - Part is no longer serviceable in the field.