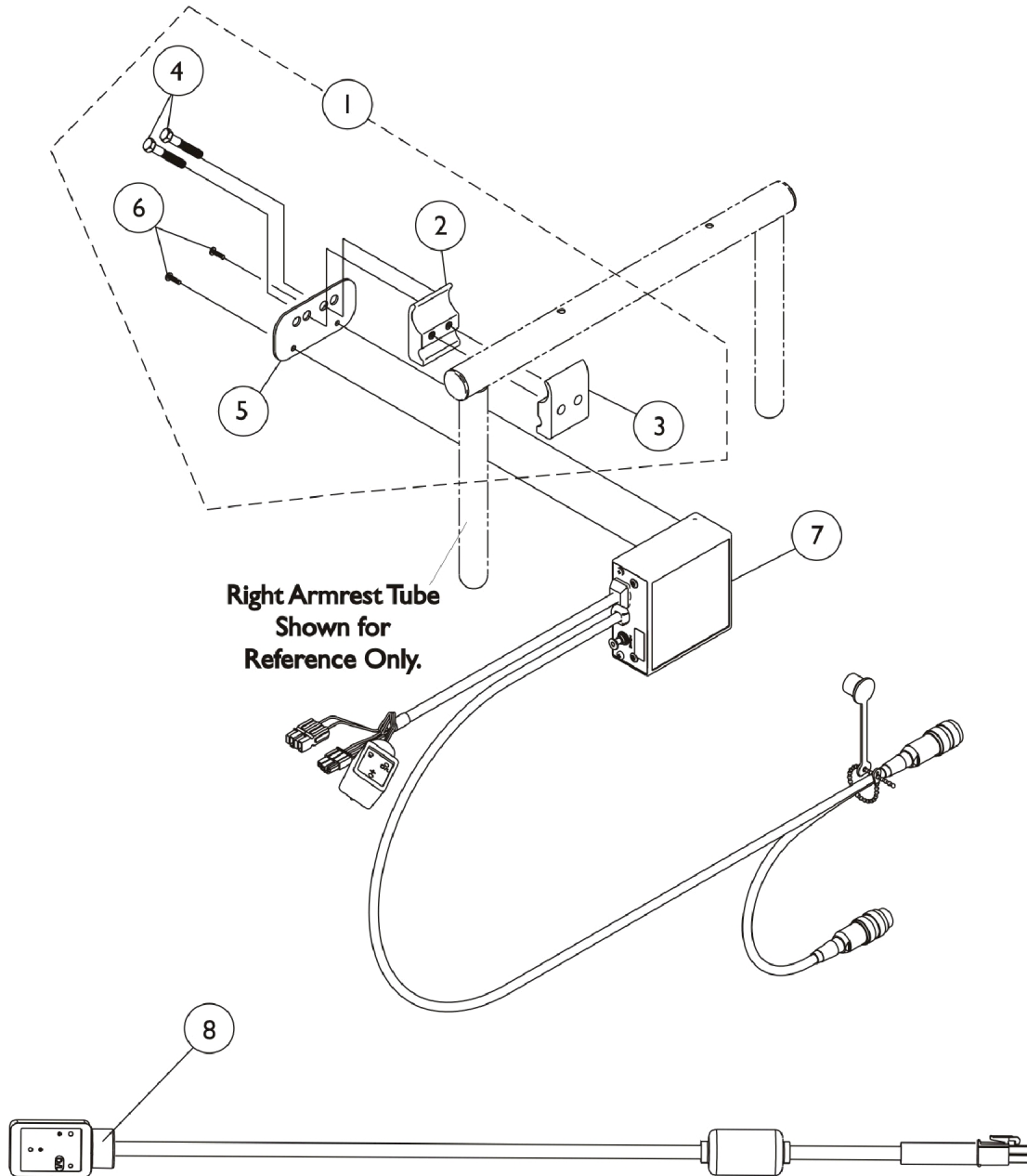


# Electronics - MK5 SAC & Hardware

## Before 1/06/06

OO On 1/06/06 the MK5 SAC was discontinued. As a replacement, refer to the MK5 TAC and Hardware category.

(Available only on chairs with PTO and PTO Plus Seating Systems)



## Electronics - MK5 SAC & Hardware Before 1/06/06

OOn 1/06/06 the MK5 SAC was discontinued. As a replacement, refer to the MK5 TAC and Hardware category.

(Available only on chairs with PTO and PTO Plus Seating Systems)

Item Number	Note	Part Number	Description	Quantity Per	
				Package	Assembly
1	A,C	1049593	Kit, SNP/DI, MK5 SAC, 4WSB, S4WSB, GTAM, AUX12M6, AUX34M6 Mtg. Hdwr.	1	1
2			NLA - Half Clamp, Threaded Holes	1	1
3			Half Clamp, Non-Threaded Holes	1	1
4			NLA - Screw, Hex Head (1/4-20 x 1-1/8")	1	2
5			Plate, Mounting	1	1
6			Screw, Phillips Pan Head (#4-40 x 3/8")	1	2
7	B	1115730-NLA	NLA - Control, MK5 SAC	1	1
8		1119418	Cable, Auxiliary Power	1	1

NOTE: A - Includes items 2-6  
 B - On 1/06/06 the MK5 SAC was discontinued. As a replacement, refer to the MK5 TAC and Hardware category.  
 C - As of 5/22/07 the Mounting Plate holes and the orientation of the Hardware was revised to attach the electronics closer to the chair. The Mounting Hardware Kit is backward compatible.