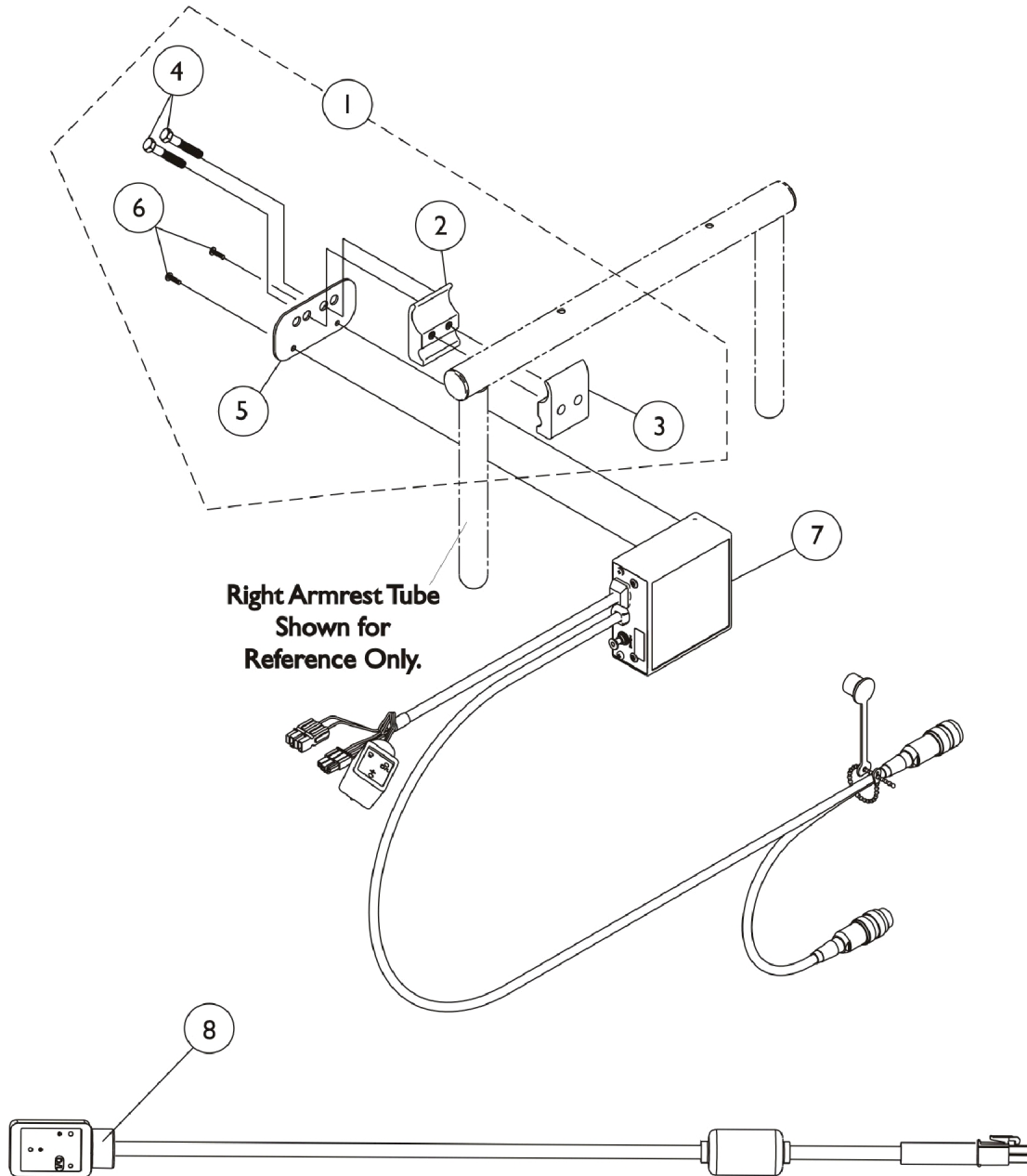


Electronics - MK5 SAC and Hardware Before 1/06/06

On 1/06/06 the MK5 SAC was discontinued. As a replacement, refer to the MK5 TAC and Hardware category.

(Available only on chairs with PTO and PTO Plus Powered Seating)



Electronics - MK5 SAC and Hardware Before 1/06/06

On 1/06/06 the MK5 SAC was discontinued. As a replacement, refer to the MK5 TAC and Hardware category.

(Available only on chairs with PTO and PTO Plus Powered Seating)

| Item Number | Note | Part Number | Description | Quantity Per | |
|-------------|------|-------------|--|--------------|----------|
| | | | | Package | Assembly |
| 1 | A,C | 1049593 | Kit, SNP/DI, MK5 SAC, 4WSB, S4WSB, GTAM, AUX12M6, AUX34M6 Mtg. Hdwr. | 1 | 1 |
| 2 | | | NLA - Half Clamp, Threaded Holes | 1 | 1 |
| 3 | | | Half Clamp, Non-Threaded Holes | 1 | 1 |
| 4 | | | NLA - Screw, Hex Head (1/4-20 x 1-1/8") | 1 | 2 |
| 5 | | | Plate, Mounting | 1 | 1 |
| 6 | | | Screw, Phillips Pan Head (#4-40 x 3/8") | 1 | 2 |
| 7 | B | 1115730-NLA | NLA - Control, MK5 SAC | 1 | 1 |
| 8 | | 1119418 | Cable, Auxiliary Power | 1 | 1 |

NOTE: A - Includes items 2-6
 B - On 1/06/06 the MK5 SAC was discontinued. As a replacement, refer to the MK5 TAC and Hardware category.
 C - As of 5/22/07 the Mounting Plate holes and the orientation of the Hardware was revised to attach the electronics closer to the chair. The Mounting Hardware Kit is backward compatible.