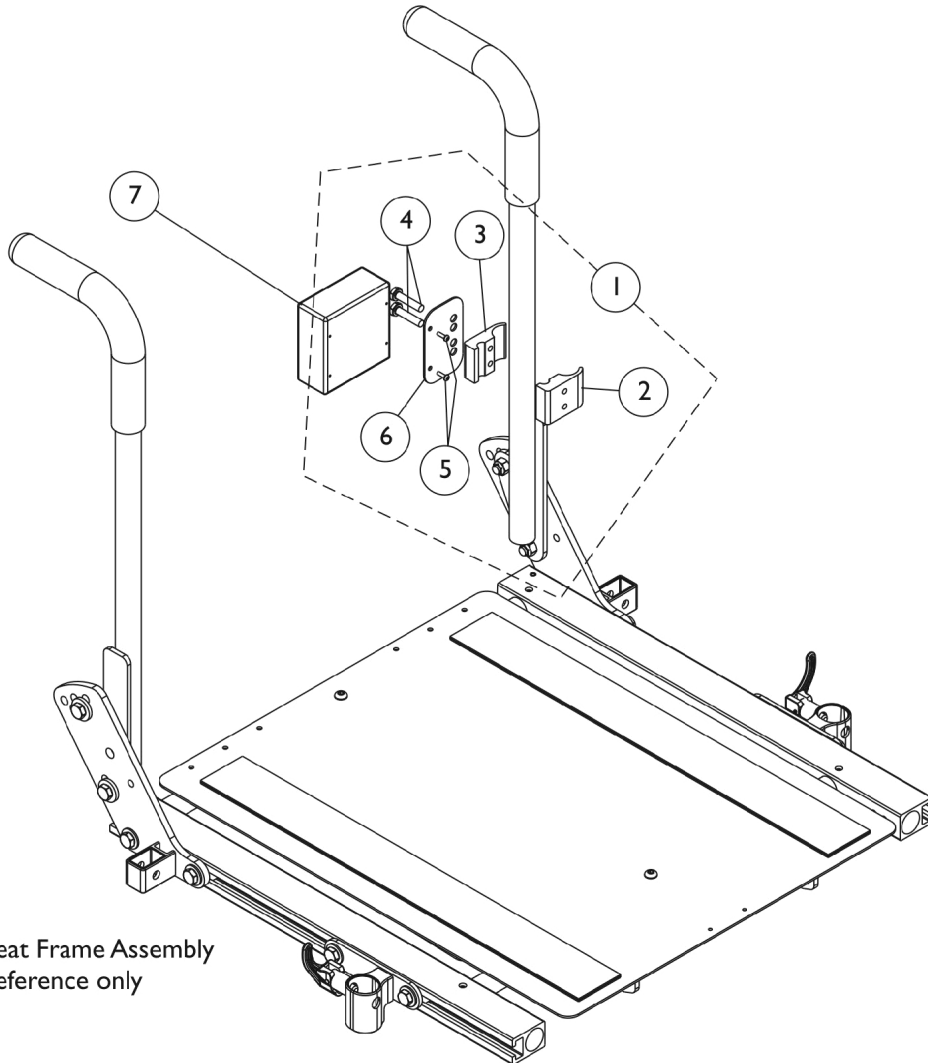
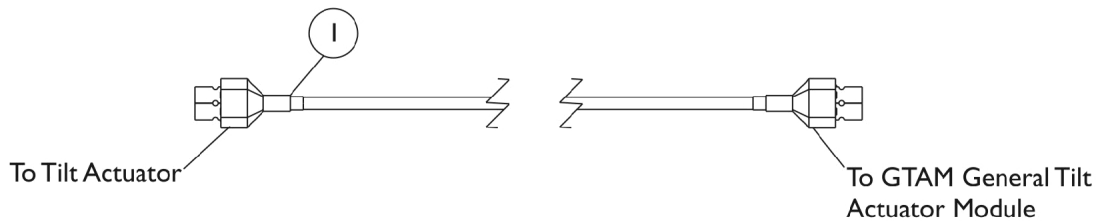


# General Tilt Actuator Module (GTAM) MK6i For MK6i GB TT Controller



ADJASBA Seat Frame Assembly  
shown for reference only



## General Tilt Actuator Module (GTAM) MK6i For MK6i GB TT Controller

Item Number	Note	Part Number	Description	Quantity Per	
				Package	Assembly
1	A	1049593	Kit, SNP/DI, MK5 SAC, 4WSB, S4WSB, GTAM, AUX12M6, AUX34M6 Mtg. Hdw.	1	1
2			NLA - Half Clamp, Threaded Holes	1	1
3			Half Clamp, Non-Threaded Holes	1	1
4			NLA - Screw, Hex Head (1/4-20 x 1-1/8")	1	2
5			Screw, Phillips Pan Head (#4-40 x 3/8")	1	2
6			Plate, Mounting	1	1
7	B	1140037	Module, General Tilt Actuator (GTAM) - MK6i (54" L)	1	1
8		1142224-NLA	NLA - Harness, Actuator Extension	1	1

NOTE: A - Includes items 2-6  
 B - The General Tilt Actuator Module (GTAM) is used when a MK6i GB TT Controller is selected for a Formula Invisible Super Low Tilt System. Item 8 Actuator Extension Harness is required also.