

**Invacare®  
Value Care  
5410VC Full Electric Bed  
5310VC Semi-Electric Bed**



*Yes, you can.*

# Parts Catalog Usage Guide

The information contained in this document is subject to change without notice. This catalog contains service parts for Form No. 20\_108. If you have any questions regarding this catalog, please contact one of our Customer Service Representatives.

**For Customer Service Support Call:**

**1-800-333-6900**

**For Faxed In Orders Call:**

**1-800-678-4682 or**

**1-440-366-0709**

**For Technical Service Call:**

**1-800-832-4707**

**Literature Can Be Found at:**

**www.invacare.com or**

**1-800-828-6272**

## SYMBOL DEFINITION

Throughout this catalog you will notice letters to draw your attention to specific footnotes which are located at the bottom of the page or below specified charts.

Examples:

A,B,C etc. = Special Comments

NOTE: = General information pertaining to that specific page

NLA = No Longer Available

## HARDWARE MEASUREMENTS

The measurements for the hardware will be listed as follows:

Screws, Bolts Diameter X Thread Count/Pitch X Length

Washers Inside Diameter X Outside Diameter X Thickness

Spacers Inside Diameter X Outside Diameter X Length

For your convenience, we have supplied an area for you to list your Invacare Representatives.

Name	Phone Numbers

© 2021 Invacare Corporation. All rights reserved. Reproduction, duplication or modification in whole or in part is prohibited without prior written permission from Invacare. Trademarks are identified by ™ and ®. All trademarks are owned by or licensed to Invacare Corporation or its subsidiaries unless otherwise noted.

# TABLE of CONTENTS

Description	Page Number
Drive Shaft Assembly, Casters, Hand Crank - 5410VC and 5310VC .....	10
Dual Motor and Hand Pendant - 5310VC .....	8
Dual Motor, High/Low Motor and Hand Pendant - 5410VC .....	6
Head Spring End, Foot Spring End, Head/ Foot Board Assemblies - 5410VC and 5310VC ...	4
Literature .....	3

# User Manual

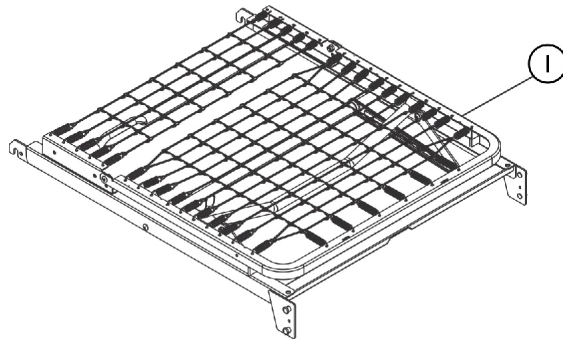
Invacare® Value Care 5410VC  
Full Electric Bed - Form # DL18-300UM-A\*  
and  
Invacare® Value Care 5310VC  
Semi-Electric Bed - Form # DL18-200UM-A\*

\* When adjusting or replacing parts, please refer to your User Manual for assistance. The User Manual can be found at [www.invacare.com/homecare](http://www.invacare.com/homecare) under Literature Search.

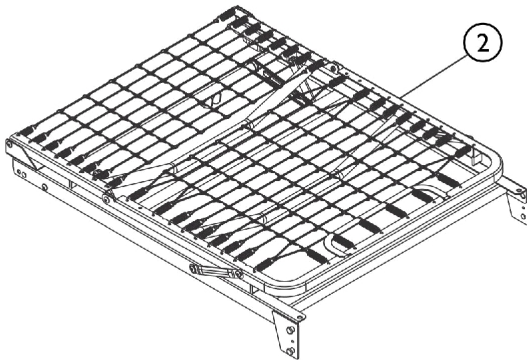
SBP\_112A

# Head Spring End, Foot Spring End, Head/ Foot Board Assemblies

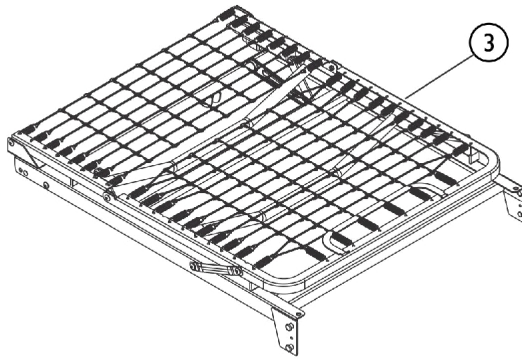
## 5410VC and 5310VC



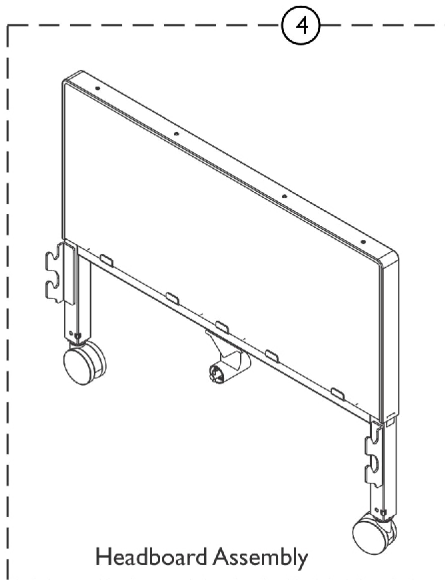
Head Spring Assembly



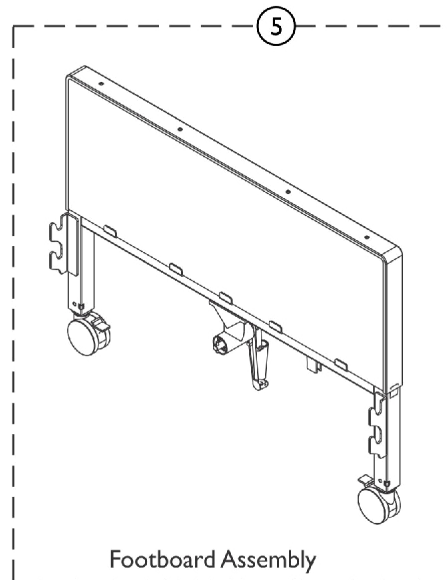
Foot Spring Assembly  
5410VCFSS



Foot Spring Assembly  
5310VCFSS



Headboard Assembly



Footboard Assembly

SBP\_107A

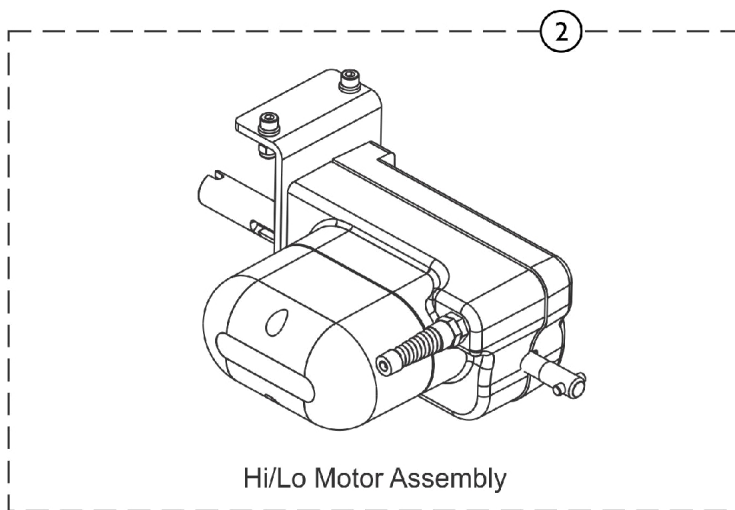
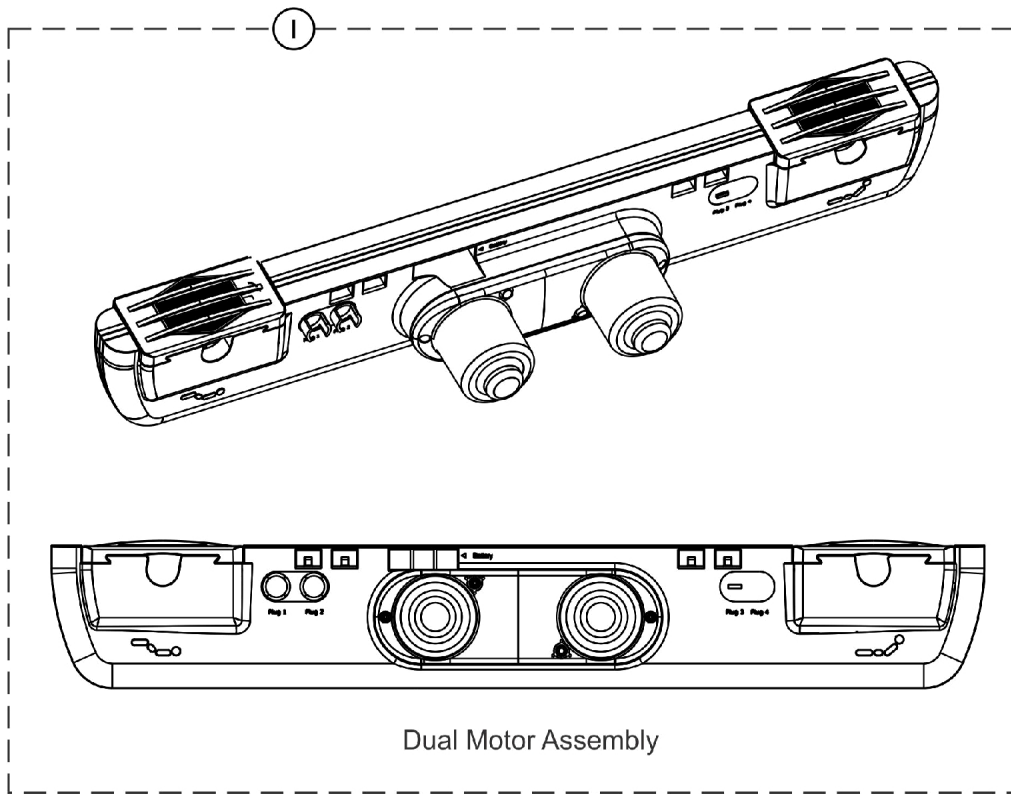
# Head Spring End, Foot Spring End, Head/ Foot Board Assemblies 5410VC and 5310VC

Item Number	Note	Part Number	Description	Quantity Per	
				Package	Assembly
1	A	5410VCHSS	Head Spring Assembly	1	1
2		5410VCFSS	Foot Spring Assembly, 5410VC	1	1
3		5310VCFSS	Foot Spring Assembly, 5310VC	1	1
4	A	5410VCHB	Headboard Assembly	1	1
5	A	5410VCFB	Footboard Assembly	1	1

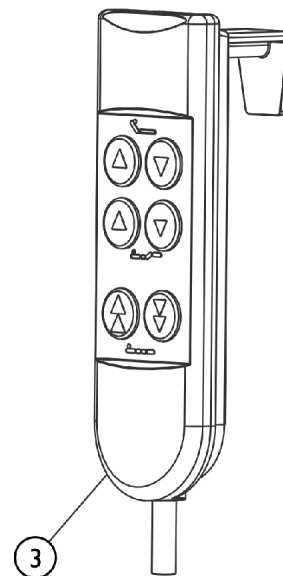
NOTE: A - 5410VC and 5310VC shared component.

# Dual Motor, High/Low Motor and Hand Pendant

## 5410VC



SBP\_108A

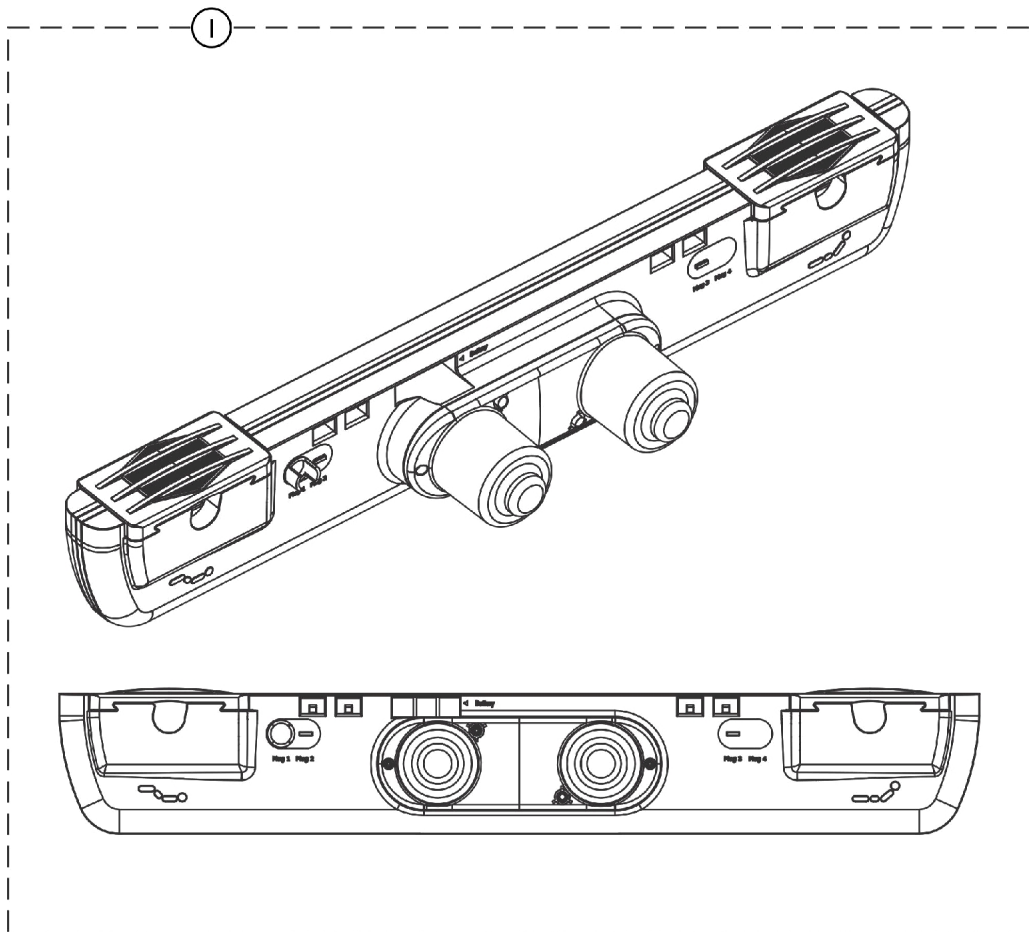


## Dual Motor, High/Low Motor and Hand Pendant 5410VC

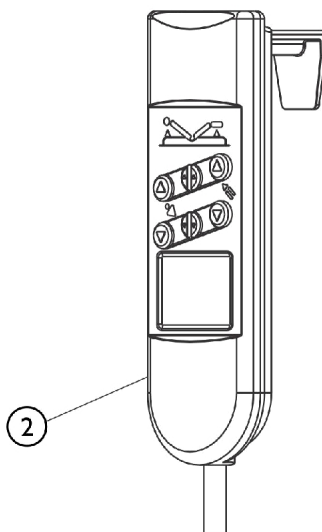
Item Number	Note	Part Number	Description	Quantity Per	
				Package	Assembly
1		5410VCDMR	Dual Motor Assembly, 5410VC	1	1
2		5410VCHLM	Hi/Lo Motor Assembly, 5410VC	1	1
3		5410VCHPT	Hand Pendant, 5410VC	1	1



# Dual Motor and Hand Pendant 5310VC



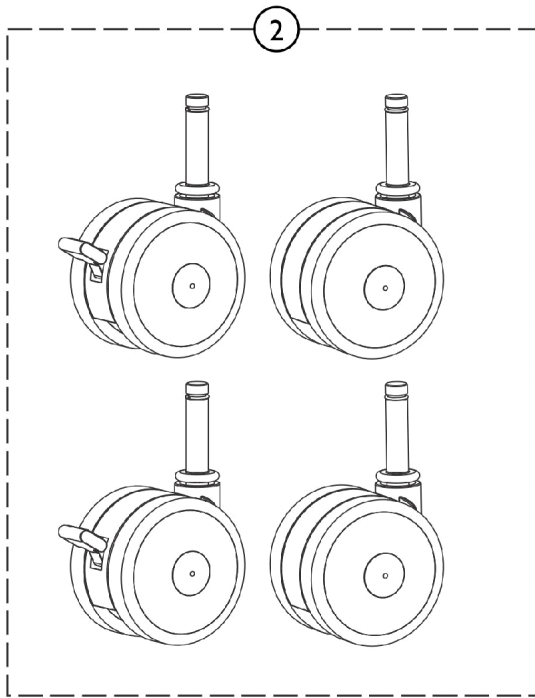
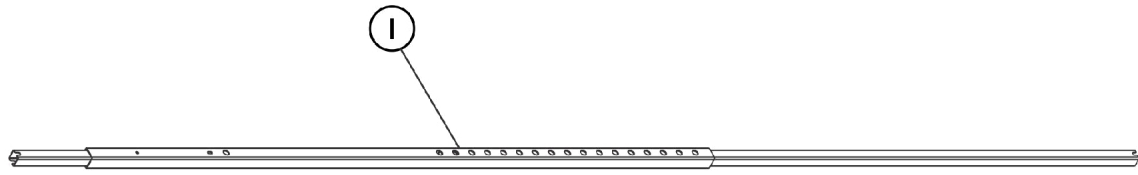
SBP\_109A



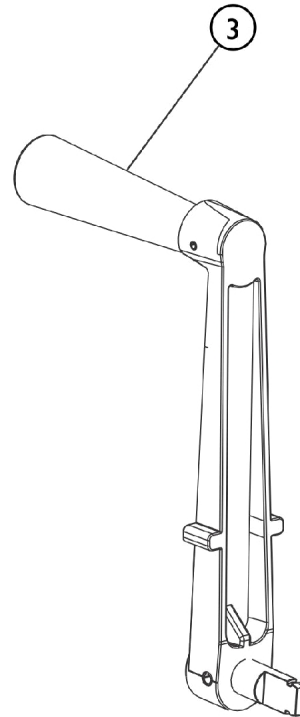
## Dual Motor and Hand Pendant 5310VC

Item Number	Note	Part Number	Description	Quantity Per	
				Package	Assembly
1		5310VCDMR	Dual Motor Assembly, 5310VC	1	1
2		5310VCHPT	Hand Pendant, 5310VC	1	1

# Drive Shaft Assembly, Casters, Hand Crank 5410VC and 5310VC



SBP\_106A



## Drive Shaft Assembly, Casters, Hand Crank 5410VC and 5310VC

Item Number	Note	Part Number	Description	Quantity Per	
				Package	Assembly
1	A	5410VCDS	Drive Shaft Assembly	1	1
2	A	5410VCCASTER	Package, Casters (2 w/ Lock, 2 w/o Lock)	4	1
3	A	5410VCFHC	Hand Crank	1	1

NOTE: A - 5410VC and 5310VC shared component.

**Invacare Corporation**

[www.invacare.com](http://www.invacare.com)



**Yes, you can.**

One Invacare Way  
Elyria, Oh USA  
44036-2125  
800-333-6900

Technical Support  
800-832-4707  
Customer Service  
800-333-6900

Literature Orders  
800-333-6900

© 2021 Invacare Corporation. All rights reserved. Republication, duplication or modification in whole or in part is prohibited without prior written permission from Invacare. Trademarks are identified by <sup>™</sup> and ©. All trademarks are owned by or licensed to Invacare Corporation or its subsidiaries unless otherwise noted. (Revised 4/21/21)

Form No. 20\_108