

**AVIVA® STORM RX™ SRX-20R, SRX-20SP  
and SRX-20MP Base Assembly For  
Motion Concepts Ultra Low Maxx Power  
Positioning System**



*Yes, you can.*

# Parts Catalog Usage Guide

The information contained in this document is subject to change without notice. This catalog contains service parts for Form No. 20-099. If you have any questions regarding this catalog, please contact one of our Customer Service Representatives.

**For Customer Service Support Call:**

**1-800-333-6900**

**For Faxed In Orders Call:**

**1-800-678-4682 or**

**1-440-366-0709**

**For Technical Service Call:**

**1-800-832-4707**

**Literature Can Be Found at:**

**[www.invacare.com](http://www.invacare.com) or**

**1-800-828-6272**

## SYMBOL DEFINITION

Throughout this catalog you will notice letters to draw your attention to specific footnotes which are located at the bottom of the page or below specified charts.

Examples:

A,B,C etc. = Special Comments

NOTE: = General information pertaining to that specific page

NLA = No Longer Available

## HARDWARE MEASUREMENTS

The measurements for the hardware will be listed as follows:

Screws, Bolts Diameter X Thread Count/Pitch X Length

Washers Inside Diameter X Outside Diameter X Thickness

Spacers Inside Diameter X Outside Diameter X Length

For your convenience, we have supplied an area for you to list your Invacare Representatives.

Name	Phone Numbers

© 2022 Invacare Corporation. Elyria, Ohio. Invacare, Yes, you can., the Blue Medallion Design, SureStep, Dynamic is a registered trademark of Dynamic Controls Limited. Super Lube is a registered trademark of Synco Chemical Corporation.

# TABLE of CONTENTS

Description	Page Number
Battery Box Assembly, Rear Plate .....	12
Battery Charger and Battery Harnesses for GP24 Batteries .....	6
Battery Charger and Battery Harnesses for M50 Batteries .....	8
Caster & Forks - 8" Front - Single Sided Fork .....	30
Electronics - Accessories - LiNX Access Key .....	47
Electronics - GYRO Module and Mounting Hardware .....	39
Electronics - LiNX Power Module 120AL and Mounting Hardware .....	41
Electronics - Remotes, Displays and Bus Cables .....	43
Electronics - Toggle Switch Kit (SW400TGL) For LiNX DLX-REM400 Remote .....	45
Fender w/ Hardware, Drive Wheel .....	20
Frame, Base .....	10
Light System .....	22
Motors, 4-Pole, SSD Gearbox and Mounting Hardware .....	25
Packaging - Literature .....	4
Shroud and Rim Insert Colors .....	3
Shrouds, Rail Shrouds and Front Shroud .....	16
Shrouds, Top Shroud w/ Common Harness and Circuit Breaker .....	18
Suspension Assembly and Anti-Tipper .....	14
Ultra Low Maxx - Seat Mounting Upper Interface Brackets and Hardware (Narrow Base) .....	37
Ultra Low Maxx - Seat Mounting Upper Interface Brackets and Hardware (Wide Base) .....	35
Wheels - Drive Wheels & Mounting Hardware (14" x 3") .....	33

# Shroud and Rim Insert Colors

## Shroud Colors

Shroud Color Number	Shroud Color Description
170P	Obsidian Black
171P	Ruby Red
172P	Peacock Blue
173P	Pink Flamingo
174P	Purple Passion
175P	Denim Navy
176P	Lime Twist
177P	Artic Blue

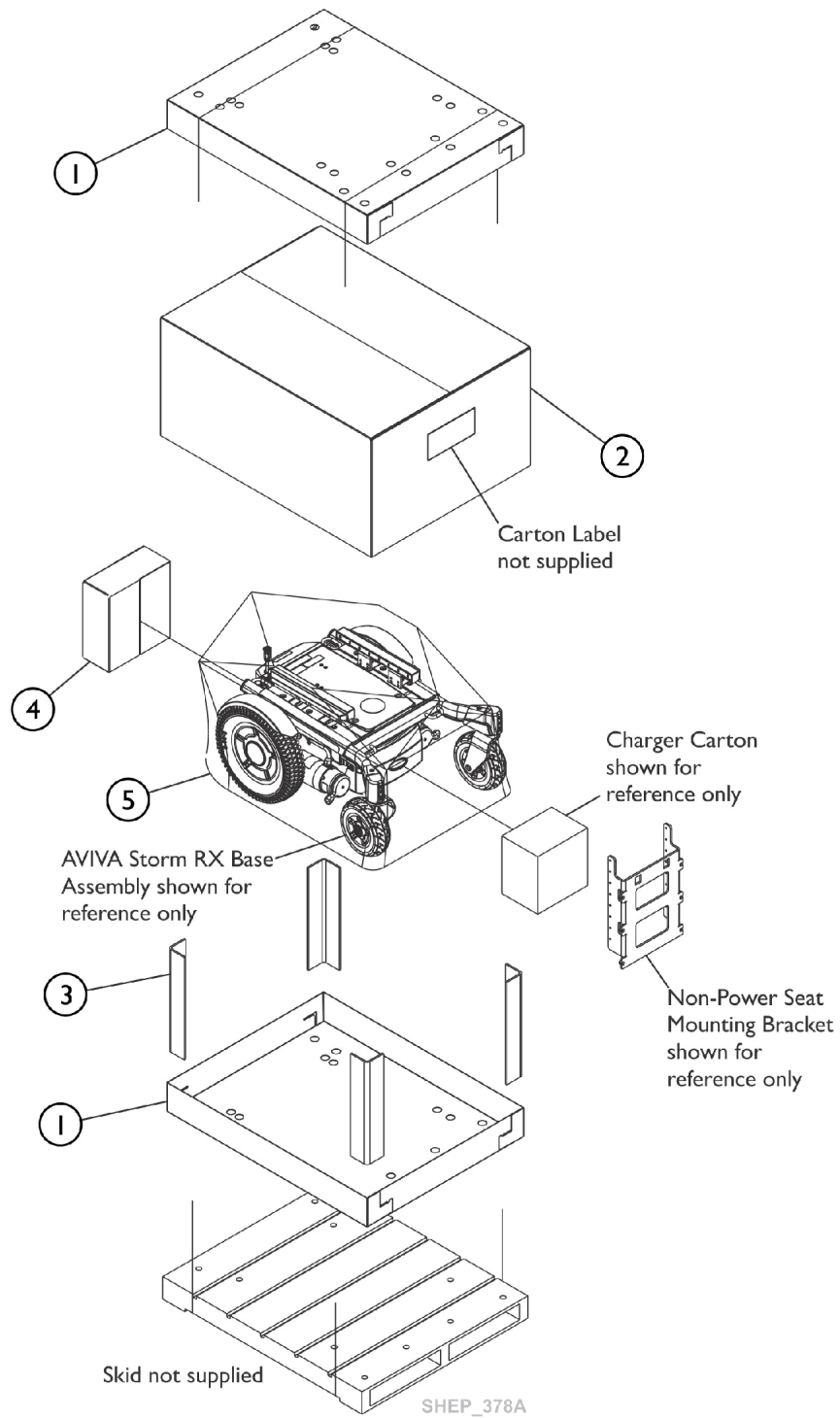
Touch Up paints are not available.

## Rim Insert Colors

Rim Insert Color Number	Rim Insert Color Description
170PR	Obsidian Black
171PR	Ruby Red
172PR	Peacock Blue
173PR	Pink Flamingo
174PR	Purple Passion
175PR	Denim Navy
176PR	Lime Twist
177PR	Artic Blue
178PR	Banana Split
179PR	Orange Marmalade
180PR	Morning Mist

Touch Up paints are not available.

# Packaging - Literature

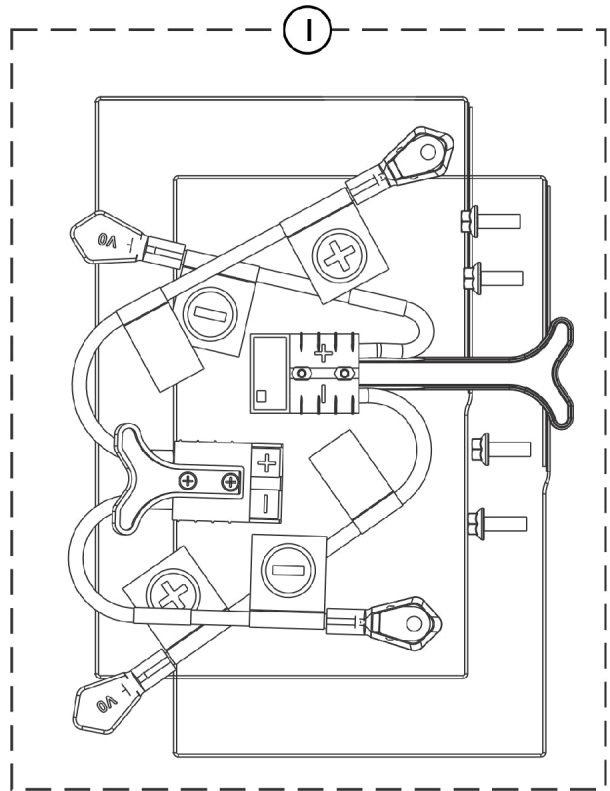
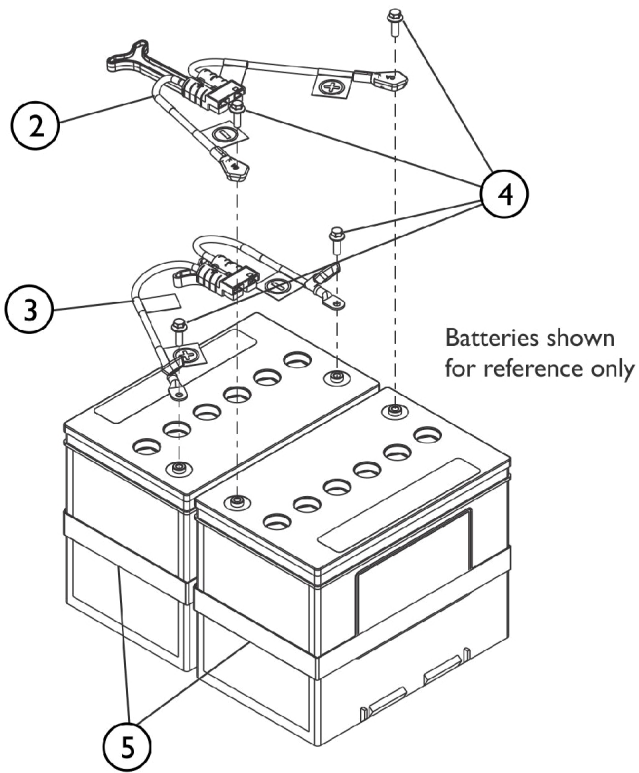


## Packaging - Literature

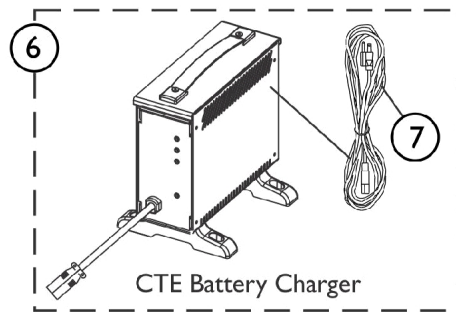
Item Number	Note	Part Number	Description	Quantity Per	
				Package	Assembly
1		1030362	Carton, Tray	1	2
2		1030365	Carton, Cover	1	1
3		1158069	Carton, Corner Reinforcement	1	4
4		40131X148-NLA	NLA - Carton, Hardware	1	1
5		1015592	Bag, Poly (72" L x 35" W x 19" D)	1	1

When adjusting or replacing parts, please refer to your Owner's Manual for assistance. The following Owner's Manuals can be found at [www.invacare.com/homecare](http://www.invacare.com/homecare) under Literature Search for the following: 60127229 "AVIVA RX Base - US", 60127242 "AVIVA RX Base - FC", 60126082 "LiNX Control System REM500 Remote", 60126081 "LiNX Control System REM400 Touch Screen Remote", 60126083 "LiNX Control System Non-Expandable/Expandable Remotes". Service Manuals are: 60127241 "AVIVA RX Base - US", 60127243 "AVIVA RX Base - FC"

# Battery Charger and Battery Harnesses



**GP 24 Battery Harnesses and Hardware**



**CTE Battery Charger**

SHEP\_372A

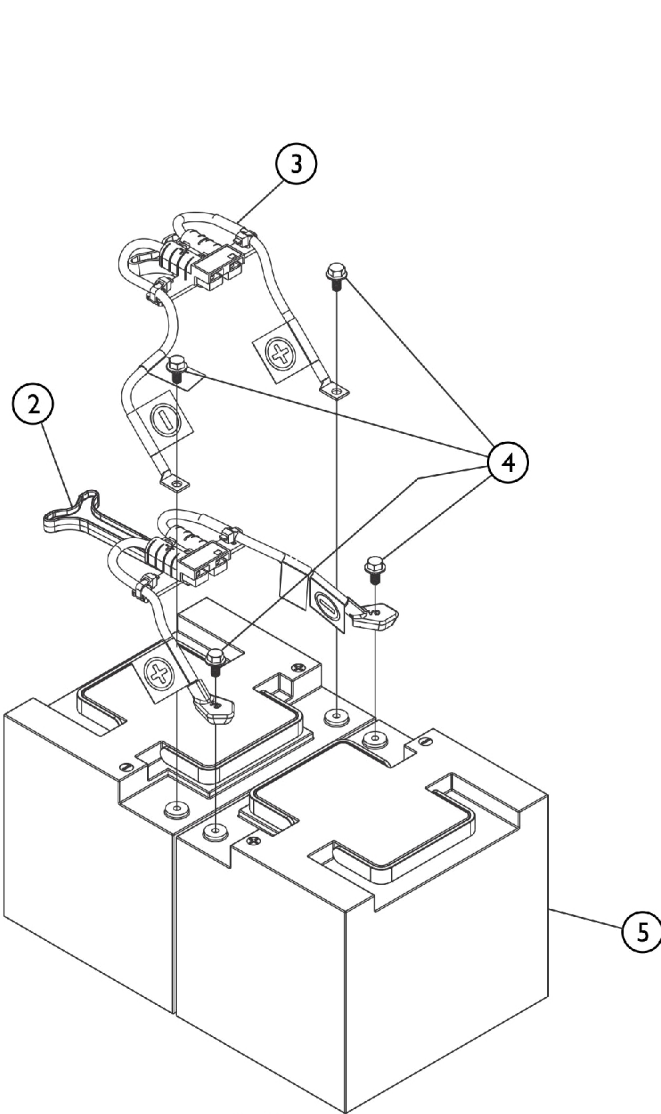
## Battery Charger and Battery Harnesses

Item Number	Note	Part Number	Description	Quantity Per	
				Package	Assembly
1	A	60127932	Kit, Battery Harnesses w/ Hardware, GP24	1	1
2			Harness, Battery Front	1	1
3			Harness, Battery Rear	1	1
4			Screw, Hex Flange Head Serrated (1/4-20 x 3/4")	1	4
5			Battery Pull Strap Assembly	1	2
			Sheet, Insert Parts Service	1	1
6	B	60102598	Kit, Charger, Battery, 8 Amp. 115vac (Off Board)	1	1
			Single Mode Round Plug w/ AC Power Line Cord		
7		60102582	Kit, Cord, AC Power, 115VAC, 3 Prong On-Board (6' 6-1/2" L)	1	1

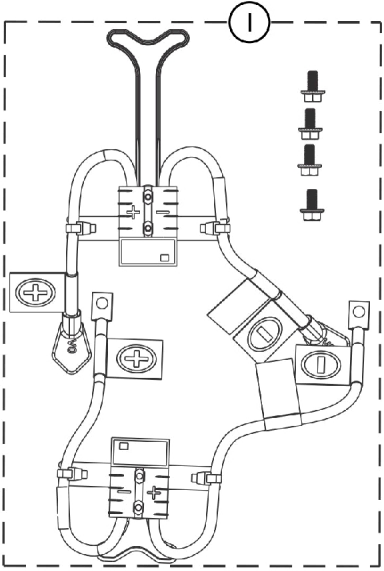
NOTE: A - Includes items 2-5.  
 B - CTE charger is standard on-chair. Used on Gel Cell or AGM (Absorbed Glass Mat) batteries.



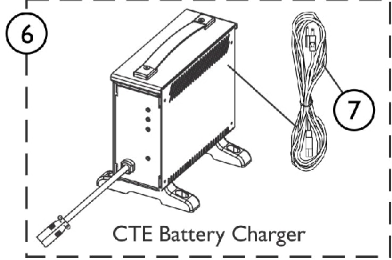
# Battery Charger and Battery Harnesses M50 Batteries



SHEP\_396A



M50 Battery Harnesses and Hardware



## Battery Charger and Battery Harnesses M50 Batteries

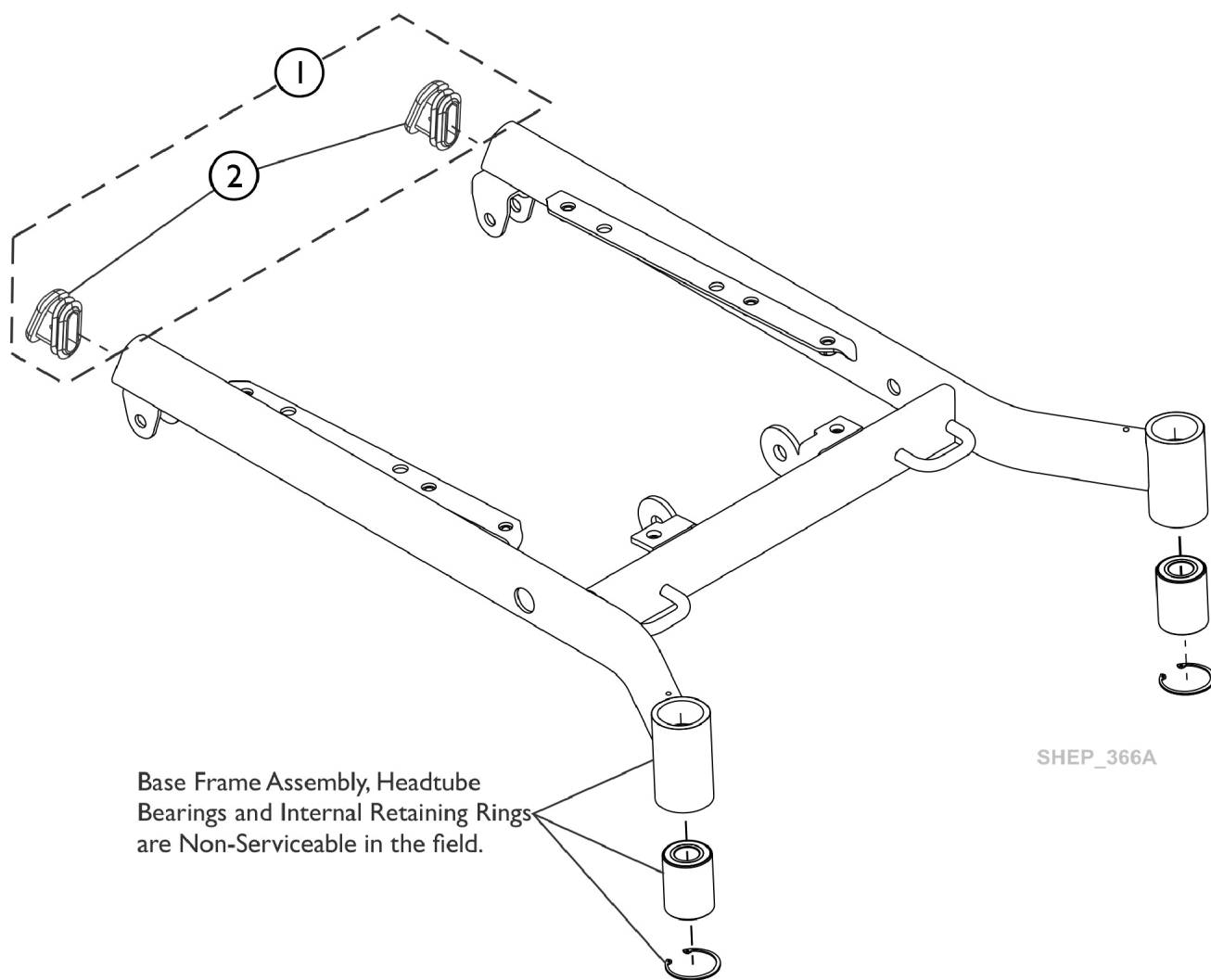
Item Number	Note	Part Number	Description	Quantity Per	
				Package	Assembly
1	A	60128932	Kit, Battery Harnesses w/ Hardware, M50	1	1
2			Harness, Battery Front w/ Handle	1	1
3			Harness, Battery Rear w/ Handle	1	1
4			Screw, Flat Head Cap Serrated (M6 x 1 x 10mm)	1	4
			Sheet, Insert Parts Service	1	1
5		60128908	Battery, 12V 50Ah C20, M50	1	2
6	B	60102598	Kit, Charger, Battery, 8 Amp. 115vac (Off Board)	1	1
			Single Mode Round Plug w/ AC Power Line Cord		
7		60102582	Kit, Cord, AC Power, 115VAC, 3 Prong On-Board (6' 6-1/2" L)	1	1

NOTE: A - Includes items 2-4.  
 B - CTE charger is standard on-chair. Used on Gel Cell or AGM (Absorbed Glass Mat) batteries.

## Base Frame Assembly

**NOTE: "Base Frame Assembly, Headtube Bearings and Internal Retaining Rings are not available as a service part."**

**Wheelchair must be returned to Invacare when items listed need replaced.  
Contact Invacare Customer Service for additional assistance.**



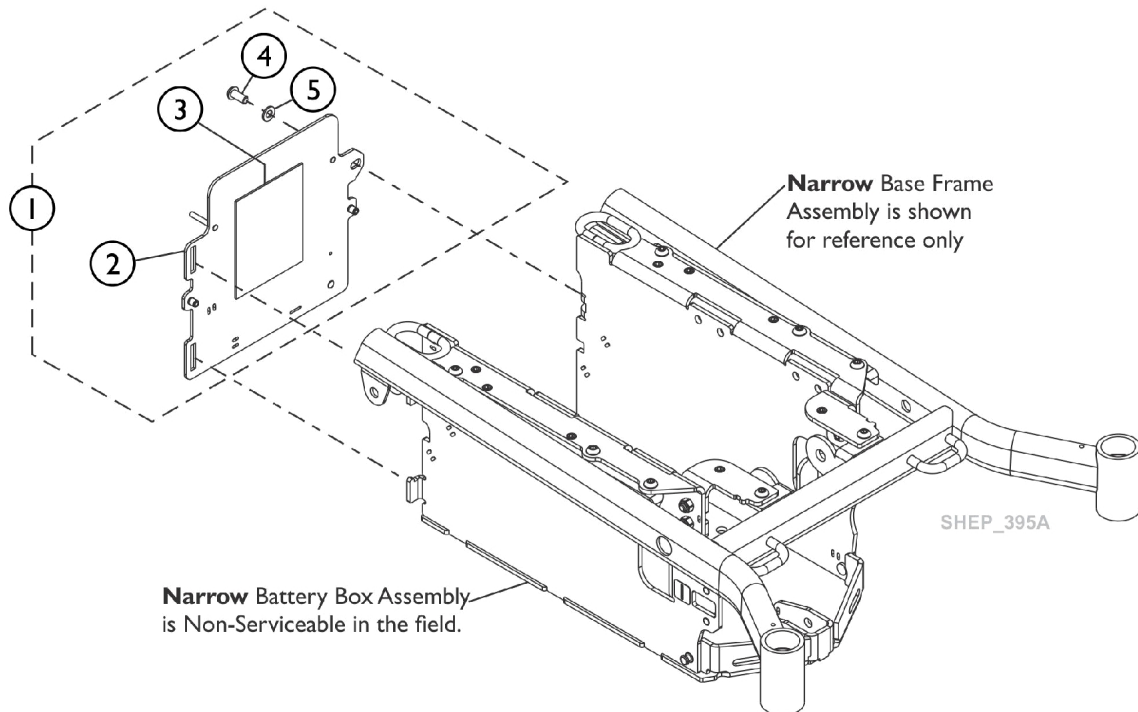
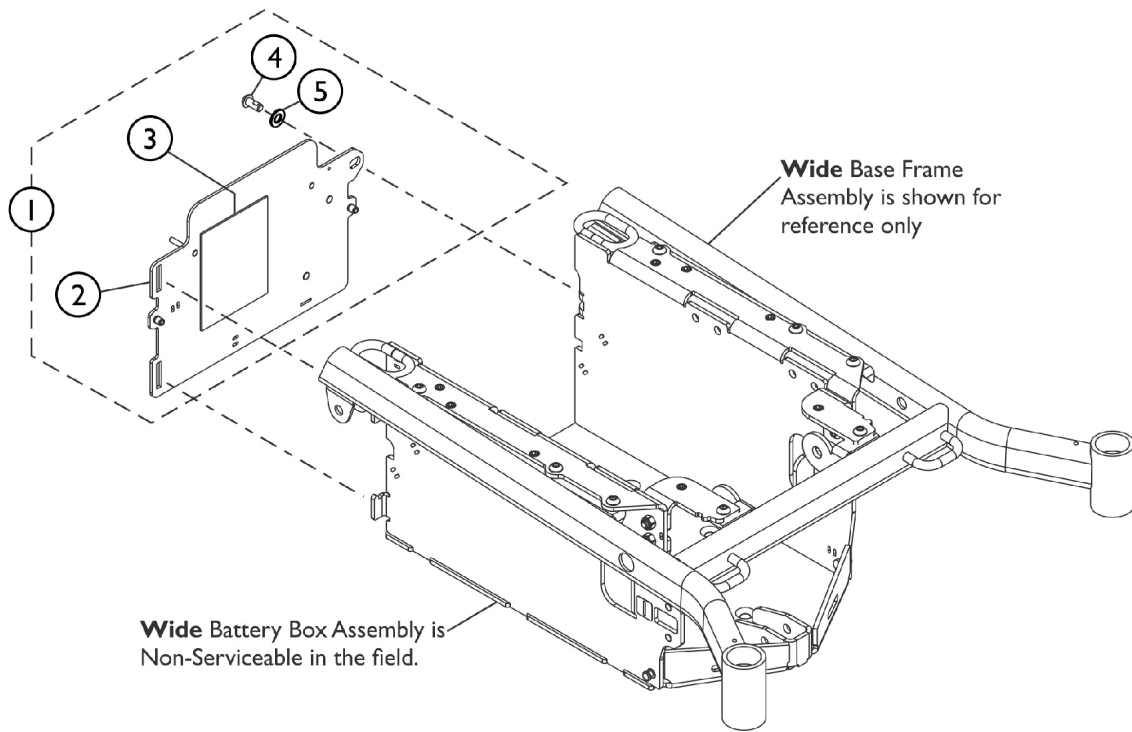
## Base Frame Assembly

**NOTE: "Base Frame Assembly, Headtube Bearings and Internal Retaining Rings are not available as a service part."**

**Wheelchair must be returned to Invacare when items listed need replaced.  
Contact Invacare Customer Service for additional assistance.**

Item Number	Note	Part Number	Description	Quantity Per	
				Package	Assembly
1		60127923	Kit, Cap, End (Pkg. of 2)	2	1
			Cap, End	1	2
			Sheet, Insert Parts Service	1	1

# Battery Box Assembly, Rear Plate



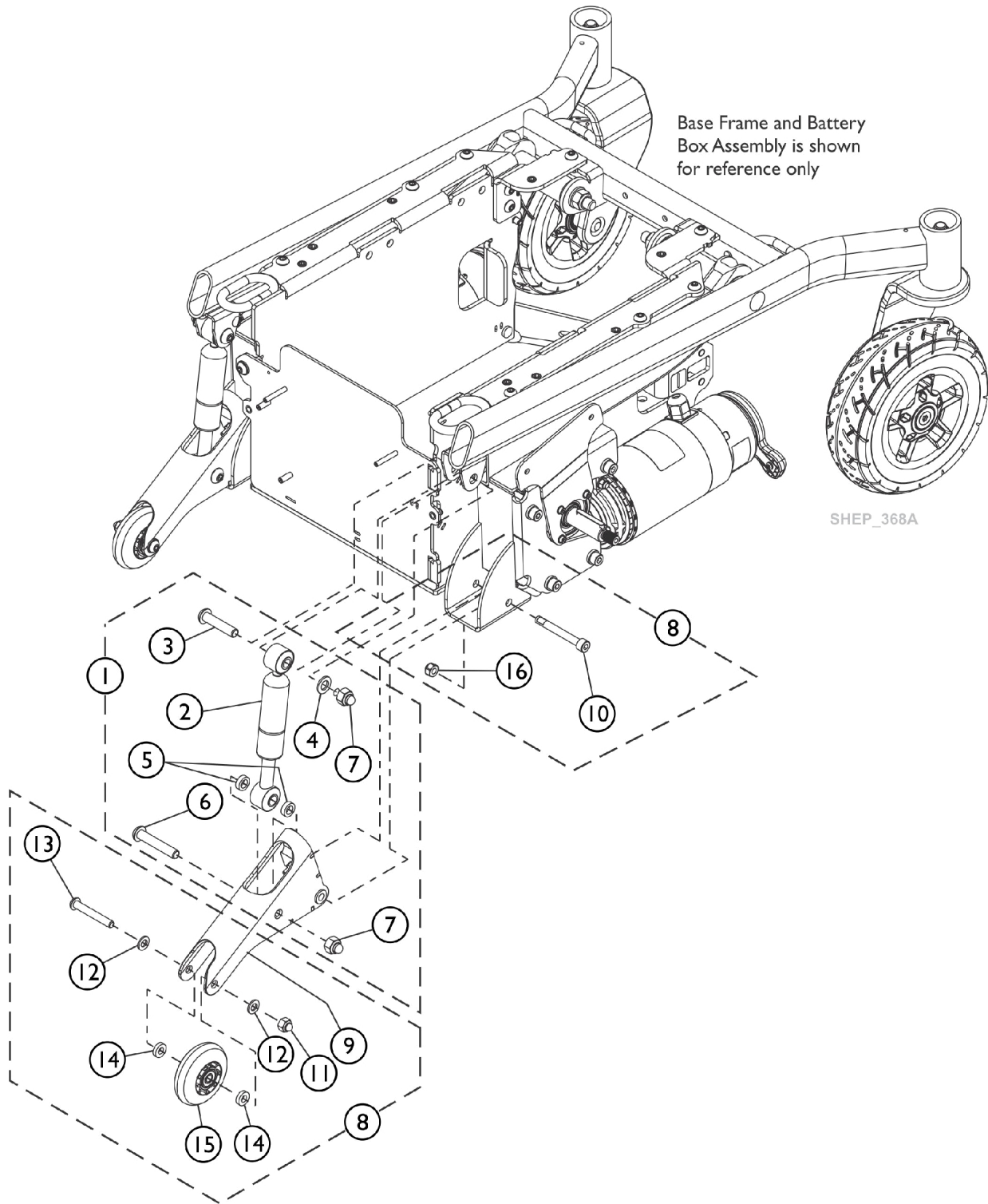
## Battery Box Assembly, Rear Plate

Item Number	Note	Part Number	Description	Quantity Per	
				Package	Assembly
1	A	60127900	Kit, Battery Box Rear Plate w/ Labels and Hardware, GP24, US	1	1
2			Plate, Battery Rear w/ Threaded Inserts	1	1
3			Label, Warning Battery GP24 Wiring, US	1	1
4			Screw, Socket Button Head Cap w/ Patch (M8 x 1.25 x 18mm)	1	1
5			NLA - Washer, Steel (8.4mm x 16mm x 1.6mm)	1	1
			Sheet, Insert Parts Service	1	1
1	B	60127901	Kit, Battery Box Rear Plate w/ Labels and Hardware, GP24, CA	1	1
2			Plate, Battery Rear w/ Threaded Inserts	1	1
3			Label, Warning Battery GP Wiring, CA	1	1
4			Screw, Socket Button Head Cap w/ Patch (M8 x 1.25 x 18mm)	1	1
5			NLA - Washer, Steel (8.4mm x 16mm x 1.6mm)	1	1
			Sheet, Insert Parts Service	1	1
1	C	60128933	Kit, Battery Box Rear Plate w/ Labels and Hardware, M50, US	1	1
2			Plate, Battery Rear w/ Threaded Inserts, Narrow	1	1
3			Label, Warning Battery M50 Wiring, US	1	1
4			Screw, Socket Button Head Cap w/ Patch (M8 x 1.25 x 18mm)	1	1
5			NLA - Washer, Steel (8.4mm x 16mm x 1.6mm)	1	1
			Sheet, Insert Parts Service	1	1
1	D	60128934	Kit, Battery Box Rear Plate w/ Labels and Hardware, M50, CA	1	1
2			Plate, Battery Rear w/ Threaded Inserts, Narrow	1	1
3			Label, Warning Battery M50 Wiring, FC	1	1
4			Screw, Socket Button Head Cap w/ Patch (M8 x 1.25 x 18mm)	1	1
5			NLA - Washer, Steel (8.4mm x 16mm x 1.6mm)	1	1
			Sheet, Insert Parts Service	1	1

NOTE: A - Includes items 2-5 and used for United States, GP24 Batteries.  
 B - Includes items 2-5 and used for Canada (French Canadian), GP24 Batteries.  
 C - Includes items 2-5 and used for United States, M50 Batteries.  
 D - Includes items 2-5 and used for Canada (French Canadian), M50 Batteries.

# Suspension Assembly and Anti-Tipper

"Suspension Arm and Mounting Hardware is non-serviceable in the field"



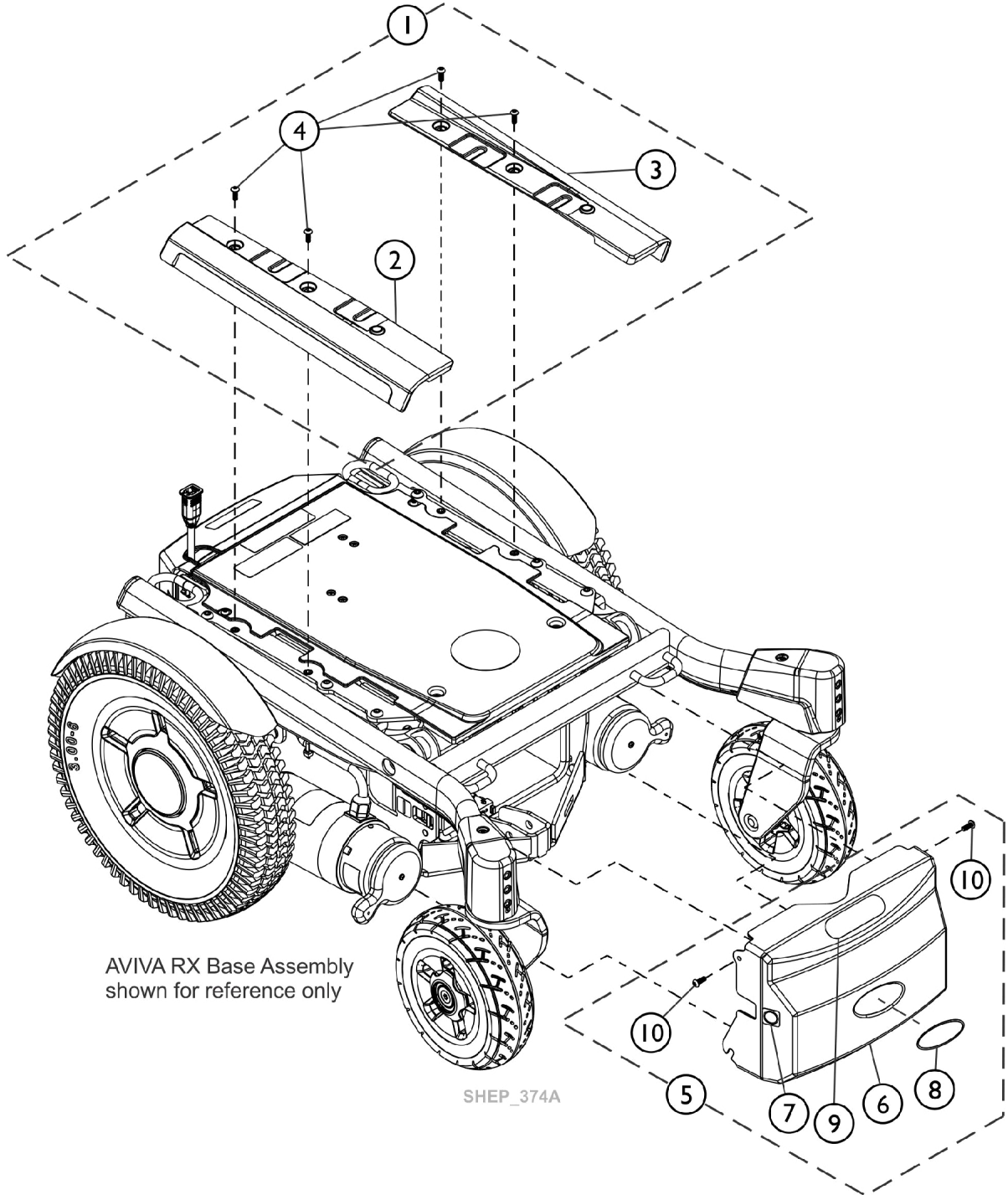
## Suspension Assembly and Anti-Tipper

**"Suspension Arm and Mounting Hardware is non-serviceable in the field"**

Item Number	Note	Part Number	Description	Quantity Per	
				Package	Assembly
1	A	60127903	Kit, Damper Shock w/ Hardware	1	1
2			Shock, Damper	1	1
3			Screw, Socket Button Head Cap (M10 x 1.5 x 45mm)	1	1
4			NLA - Washer, Steel (10mm x 20mm x 2mm)	1	1
5			Spacer, Steel Unthreaded (M10)	1	2
6			Screw, Socket Button Head Cap (M10 x 1.5 x 55mm)	1	1
7			Locknut, Cap (M10 x 1.5)	1	2
			Sheet, Insert Parts Service	1	1
8	B	60127902	Kit, Anti-Tipper Assembly w/ Bumpers	1	1
9			Anti-Tipper Assembly w/ Bumpers	1	1
10			Screw, Socket Head Cap (M8 x 1.25 x 65mm)	1	1
11			Locknut, Cap (M8 x 1.25)	1	1
12			NLA - Washer, Steel (8.4mm x 16mm x 1.6mm)	1	2
13			Screw, Socket Button Head Cap (M8 x 1.25 x 55mm)	1	1
14			Spacer, Steel Unthreaded (M8)	1	2
15			Wheel Assembly (3" x 1")	1	1
16			Locknut (M8)	1	1
			Sheet, Insert Parts Service	1	1
15		1101757	Wheel Assembly (3" x 1")	1	1
NOTE: A - Includes items 2-7 B - Includes items 9-16					
NOTE: "Suspension Arm and Mounting Hardware is non-serviceable in the field"					



# Rail Shrouds and Front Shroud



## Rail Shrouds and Front Shroud

Item Number	Note	Part Number	Description	Quantity Per	
				Package	Assembly
1	A	See Chart	Item #1 Kit, Rail Shroud (Right and Left) w/ Hardware	1	1
1	A	See Chart	Item #1 Kit, Rail Shroud (Right and Left) w/ Hardware (continued)	1	1
5	B	60127924	Kit, Front Shroud w/ Hardware, Wide	1	1
6			Shroud, Front, Wide	1	1
7			Decal, Power Off	1	1
8			Decal, Invacare Medallion, Reflective - Large	1	1
9			Decal, Transportation	1	1
10	B	60128938	Screw, Socket Button Head Cap (M5 x 16)	1	2
			Sheet, Insert Parts Service	1	1
5			Kit, Front Shroud w/ Hardware, Narrow	1	1
6			Shroud, Front, Narrow	1	1
7			Decal, Power Off	1	1
8			Decal, Invacare Medallion, Reflective - Large	1	1
9			Decal, Transportation	1	1
10			Screw, Socket Button Head Cap (M5 x 16)	1	2
			Sheet, Insert Parts Service	1	1

NOTE: A - Includes items 2-4.  
B - Includes items 6-10.

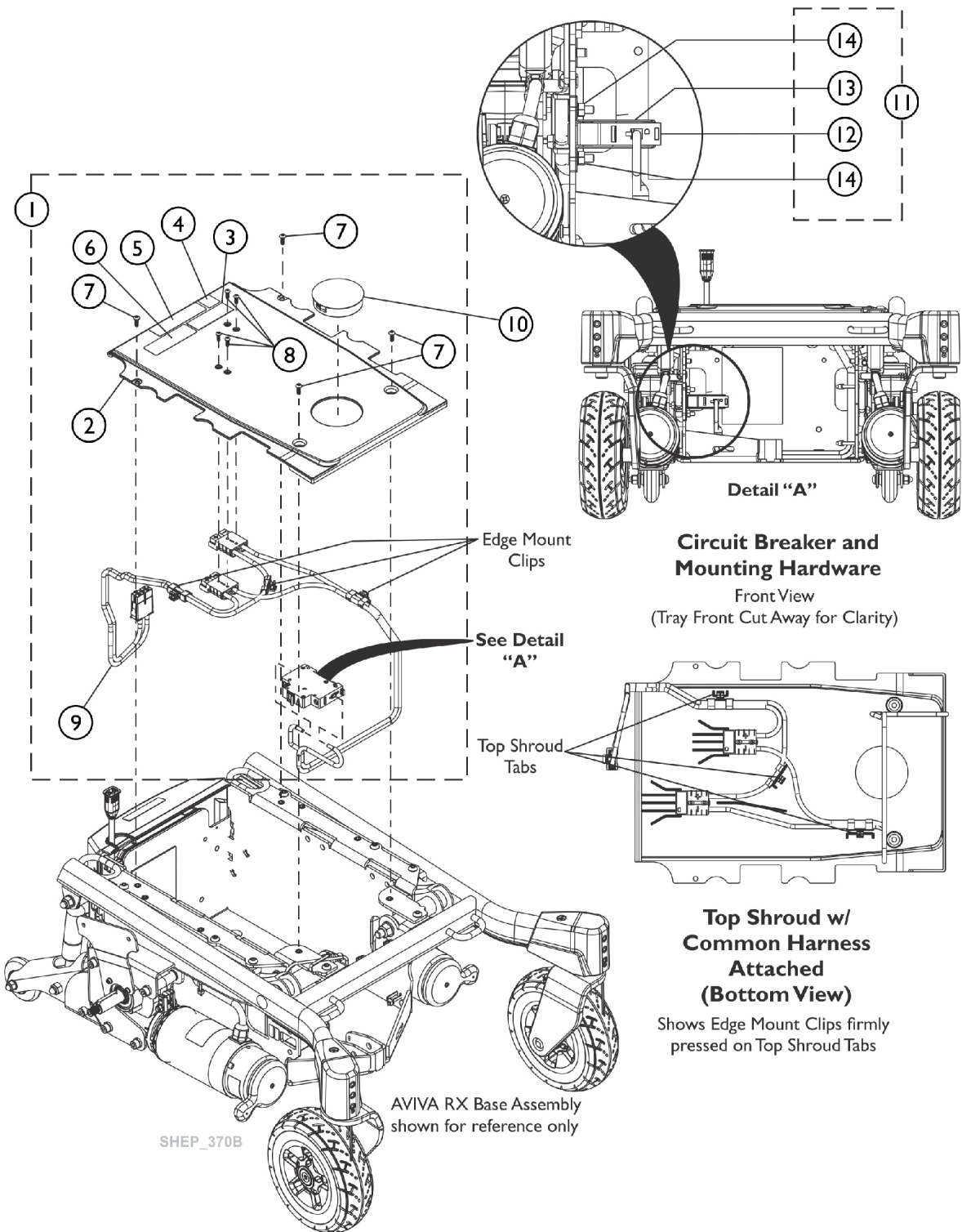
### Item #1 Kit, Rail Shroud (Right and Left) w/ Hardware

Description	Obsidian Black (170P)	Ruby Red (171P)	Peacock Blue (172P)	Pink Flamingo (173P)
Kit, Rail Shroud (Right and Left) w/ Hardware	60127950	60127951	60127952	60127953

### Item #1 Kit, Rail Shroud (Right and Left) w/ Hardware (continued)

Description	Purple Passion (174P)	Denim Navy (175P)	Lime Twist (176P)	Arctic Blue (177P)
Kit, Rail Shroud (Right and Left) w/ Hardware	60127954	60127955	60127956	60127957

# Top Shroud w/ Common Harness and Circuit Breaker

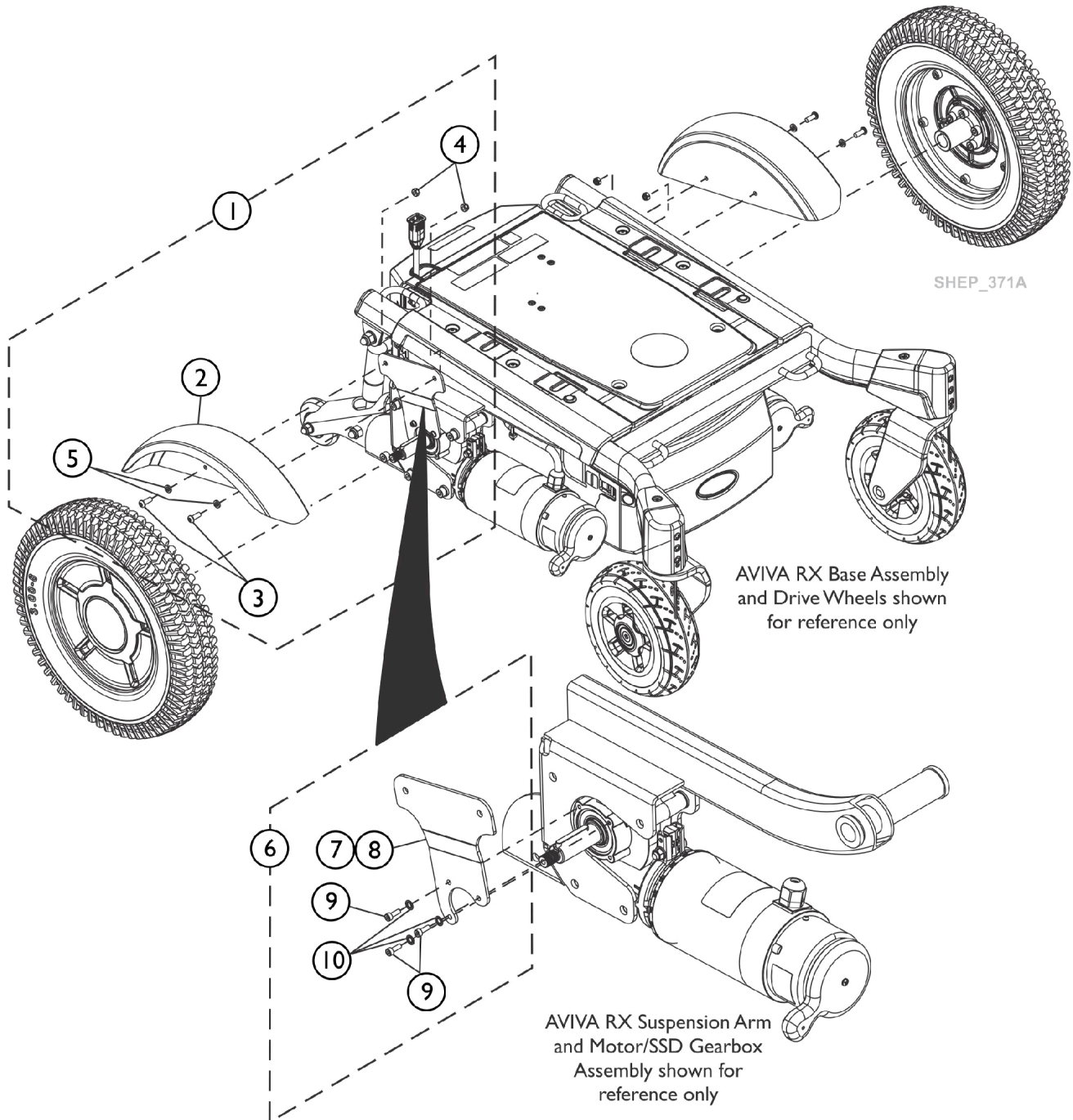


## Top Shroud w/ Common Harness and Circuit Breaker

Item Number	Note	Part Number	Description	Quantity Per	
				Package	Assembly
1	A	60127911	Kit, Top Shroud w/ Harness and Hardware, Wide	1	1
2			Shroud, Top, Wide	1	1
3			Label, Prop 65	1	1
4			Label, MR Unsafe	1	1
5			Label, Information, Address, Read Manual	1	1
6			Label, Patent	1	1
7			Screw, Socket Button Head Cap (M5 x 16)	1	4
8			Screw, Thread Forming (#8-18 x 1/2")	1	4
9			Harness, Common, GP24	1	1
			Sheet, Insert Parts Service	1	1
1	A	60128937	Kit, Top Shroud w/ Harness and Hardware, Narrow	1	1
2			Shroud, Top, Narrow	1	1
3			Label, Prop 65	1	1
4			Label, MR Unsafe	1	1
5			Label, Information, Address, Read Manual	1	1
6			Label, Patent	1	1
7			Screw, Socket Button Head Cap (M5 x 16)	1	4
8			Screw, Thread Forming (#8-18 x 1/2")	1	4
9			Harness, Common, M50	1	1
			Sheet, Insert Parts Service	1	1
10		60127948	Kit, Locking Plug Cap	1	1
			Cap, Locking Plug	1	1
			Sheet, Insert Parts Service	1	1
11	B	60127917	Kit, Circuit Breaker, 63A/C and Hardware	1	1
12			Circuit Breaker, 63A	1	1
13			Bracket, Circuit Breaker	1	1
14			Nut (M6 x 1mm)	1	2
			Sheet, Insert Parts Service	1	1

NOTE: A - Includes items 2-9. Edge Mount Clips come attached to the Harness and not sold separately.  
 B - Includes items 12-14.

# Fender w/ Hardware, Drive Wheel



## Fender w/ Hardware, Drive Wheel

Item Number	Note	Part Number	Description	Quantity Per	
				Package	Assembly
1	A	See Chart	Item #1 Fender w/ Hardware, Drive Wheel Kit	1	1
6		60127913	Kit, Fender Brackets (Right and Left)	1	1
7			Bracket, Fender, Black - Right	1	1
8			Bracket, Fender, Black - Left	1	1
9			Screw, Socket Head Cap (M4 x 0.7 x 12)	1	6
10			NLA - Washer, Lock Internal Tooth (#10)	1	6
			Sheet, Insert Parts Service	1	1

NOTE: A - Includes items 7-10.

### Item #1 Fender w/ Hardware, Drive Wheel Kit

Description	Obsidian Black (170P)	Ruby Red (171P)	Peacock Blue (172P)	Pink Flamingo (173P)	Purple Passion (174P)	Denim Navy (175P)
Fender w/ Hardware, Drive Wheel Kit	60129165	60129166	60129167	60129168	60129169	60129170
	See Note(s) A	See Note(s) A	See Note(s) A	See Note(s) A	See Note(s) A	See Note(s) A

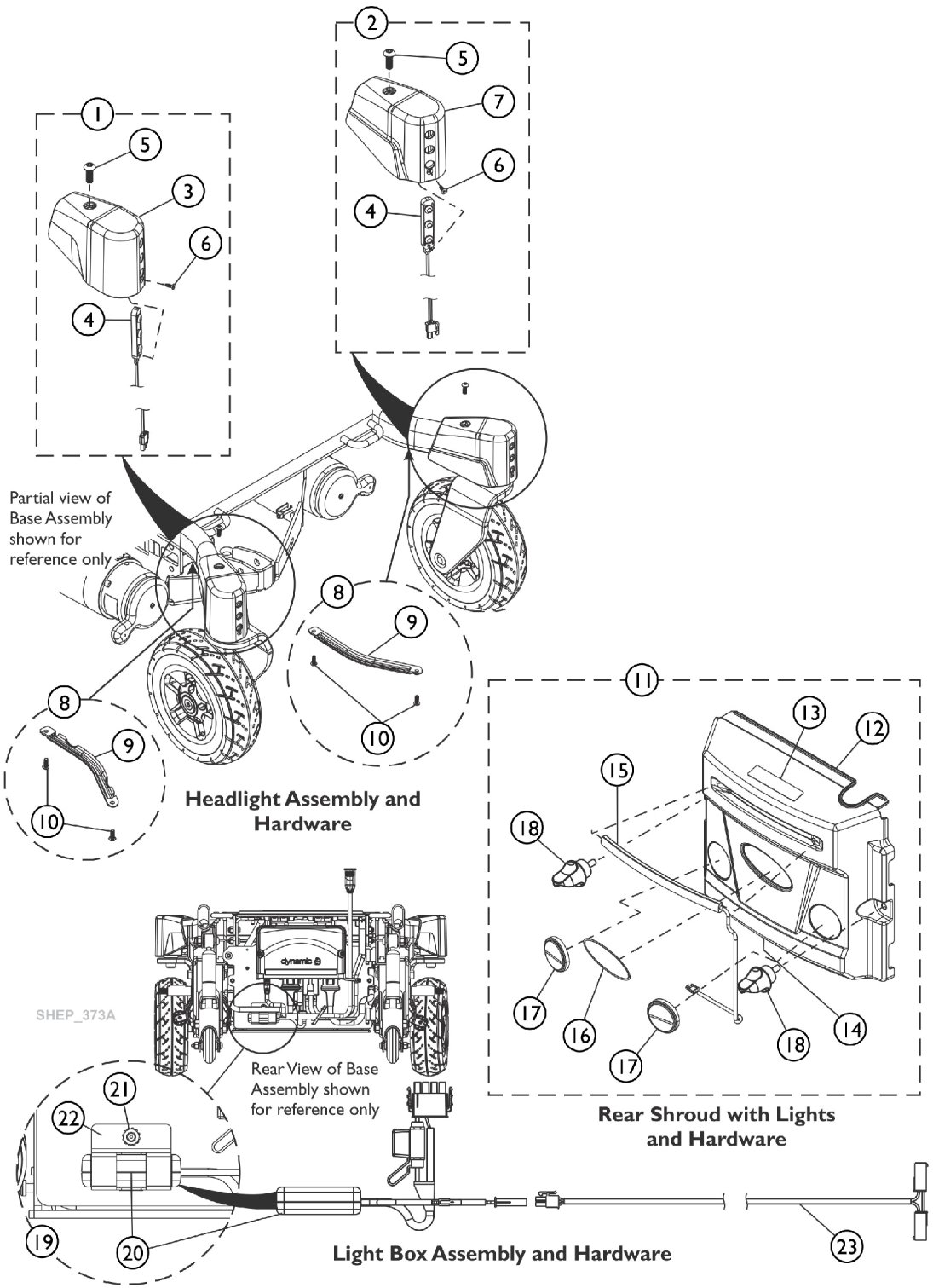
NOTE: A - Includes items 2-5 to accommodate one side only.

### Item #1 Fender w/ Hardware, Drive Wheel Kit (continued)

Description	Lime Twist (176P)	Artic Blue (177P)
Fender w/ Hardware, Drive Wheel Kit	60129171	60129172
	See Note(s) A	See Note(s) A

NOTE: A - Includes items 2-5 to accommodate one side only.

# Light System



## Light System

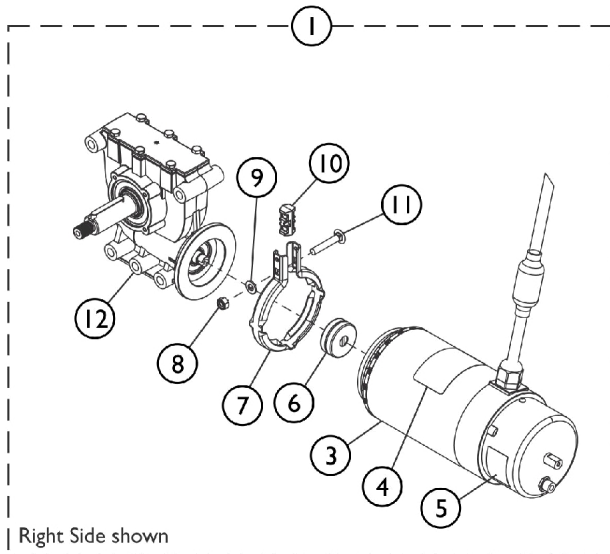
Item Number	Note	Part Number	Description	Quantity Per	
				Package	Assembly
1	A	60127919	Kit, Headlight Assembly w/ Cap and Hardware - Right	1	1
3			Cap, Headtube - Right	1	1
4			Headlights w/ Connector	1	1
5			Screw, Socket Button Head Cap (M5 x 16)	1	1
6			Screw, Phillips Pan Head (#10-32 x 5/8")	1	1
			Sheet, Insert Parts Service	1	1
2	B	60127920	Kit, Headlight Assembly w/ Cap and Hardware - Left	1	1
7			Cap, Headtube - Left	1	1
4			Headlights w/ Connector	1	1
5			Screw, Socket Button Head Cap (M5 x 16)	1	1
6			Screw, Phillips Pan Head (#10-32 x 5/8")	1	1
			Sheet, Insert Parts Service	1	1
8	C	60127918	Kit, Cover, Wire Channel w/ Hardware (Pkg. of 2)	2	1
9			Cover, Wire Channel	1	2
10			Screw, Socket Button Head Cap (M5 x 16)	1	4
11	D	60127916	Kit, Rear Shroud w/ Lights and Hardware, Wide	1	1
12			Shroud, Rear, Wide	1	1
13			Decal, AVIVA	1	1
14			Label, Warning Motor/SSD Gearbox Replacement	1	1
15			Lights, Rear w/ Connectors	1	1
16			Decal, Invacare Medallion, Reflective - Large	1	1
17			Reflector, Red	1	2
18			Screw, Knob (10-32 x 1/2")	1	2
			Sheet, Insert Parts Service	1	1
11	D	60128935	Kit, Rear Shroud w/ Lights and Hardware, Narrow	1	1
12			Shroud, Rear, Narrow	1	1
13			Decal, AVIVA	1	1
14			Label, Warning Motor/SSD Gearbox Replacement	1	1
15			Lights, Rear w/ Connectors	1	1
16			Decal, Invacare Medallion, Reflective - Large	1	1
17			Reflector, Red	1	2
18			Screw, Knob (10-32 x 1/2")	1	2
			Sheet, Insert Parts Service	1	1
15		60127942	Kit, Asm, Rear Lights w/ Connectors	1	1
			Lights, Rear w/ Connectors	1	1
			Sheet, Insert Parts Service	1	1
18		60127922	Kit, Screw Knob (Pkg. of 2)	2	1
			Screw, Knob (10-32 x 1/2")	1	2
			Sheet, Insert Parts Service	1	1
19	E	60127921	Kit, Light Box w/ Hardware	1	1
20			Box, Light	1	1
21			Nut (M6 x 1mm)	1	1
22			Bracket, Light Box, Black	1	1
			Sheet, Insert Parts Service	1	1



# Light System

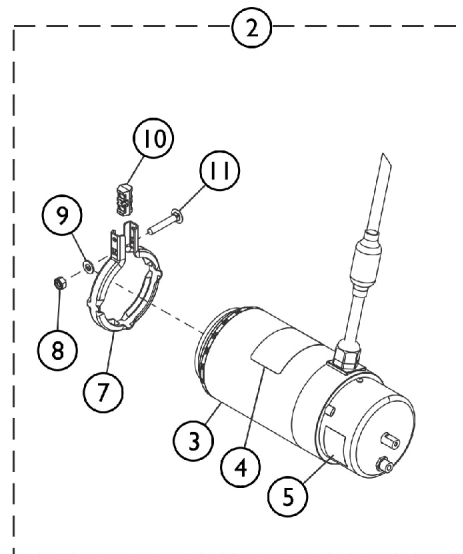
Item Number	Note	Part Number	Description	Quantity Per	
				Package	Assembly
23		60127949	Kit, Light Box Extension Harness Harness, Light Box Extension Sheet, Insert Parts Service	1 1 1	1 1 1
NOTE: A - Includes items 3-6. B - Includes items 4-7. C - Includes items 9 and 10. D - Includes items 12-18. E - Includes items 20-22.					

# Motors, 4-Pole, SSD Gearbox and Mounting Hardware

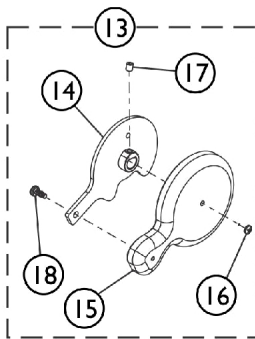


Right Side shown

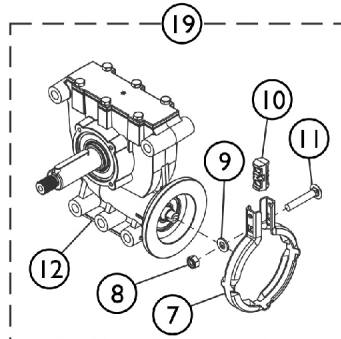
**4-Pole Motor/SSD Gearbox Assembly**



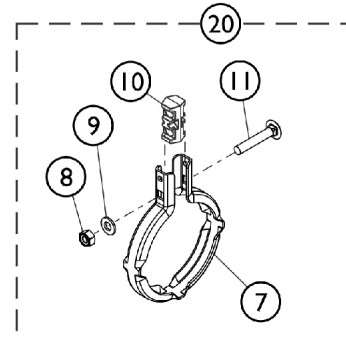
**4-Pole Motor Assembly**



**Brake Lever Assembly**

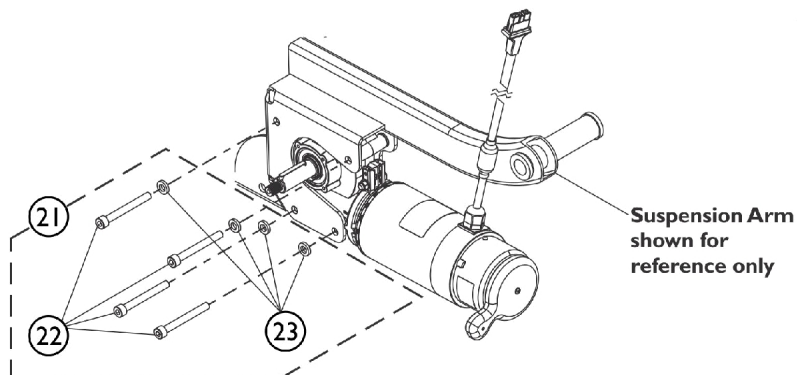


**SSD Gearbox Assembly**



**Motor/SSD Gearbox Band Clamp and Hardware Kit**

SHEP\_369A



Suspension Arm shown for reference only

## Motors, 4-Pole, SSD Gearbox and Mounting Hardware

Item Number	Note	Part Number	Description	Quantity Per				
				Package	Assembly			
1	A,G,H	60127908	Kit, 4-Pole Low Speed Motor/18:1 SSD Gearbox Assembly - Right	1	1			
			4-Pole Low Speed Motor/18:1 SSD Gearbox Assembly - Right	1	1			
			Decal, Motor Warning	1	1			
			Label, Push/Drive	1	1			
			Sheet, Insert Parts Service	1	1			
			Grease, Super Lube (1cc Tube)	1	1			
			1	A,G,H	60127909	Kit, 4-Pole Low Speed Motor/18:1 SSD Gearbox Assembly - Left	1	1
1	A,G,H,I	60127940	4-Pole Low Speed Motor/ 18:1 SSD Gearbox Assembly - Left	1	1			
			Decal, Motor Warning	1	1			
			Label, Push/Drive	1	1			
			Sheet, Insert Parts Service	1	1			
			Grease, Super Lube (1cc Tube)	1	1			
			Kit, 4-Pole 5K Motor/23:1 SSD Gearbox Assembly - Right	1	1			
			4-Pole 5K Motor/ 23:1 SSD Gearbox Assembly - Right	1	1			
1	A,G,H,I	60127941	Decal, Motor Warning	1	1			
			Label, Push/Drive	1	1			
			Sheet, Insert Parts Service	1	1			
			Grease, Super Lube (1cc Tube)	1	1			
			Kit, 4-Pole 5K Motor/23:1 SSD Gearbox Assembly - Left	1	1			
			4-Pole 5K Motor/ 23:1 SSD Gearbox Assembly - Left	1	1			
			2	B,G,H	60127906	Decal, Motor Warning	1	1
Label, Push/Drive	1	1						
Clamp, Band	1	1						
Locknut (M6 x 1)	1	1						
Washer, Plain (1/4 x 1/2 x 9/16")	1	1						
Spacer, Clamp, Molded	1	1						
Bolt, Round Head Square Neck (M6 x 1 x 35mm)	1	1						
Sheet, Insert Parts Service	1	1						
Grease, Super Lube (1cc Tube)	1	1						
Kit, Motor Assembly, 4-Pole Low Speed	1	1						
Motor Assembly, 4-Pole Low Speed	1	1						
2	B,G,H,I	60127939				Decal, Motor Warning	1	1
						Motor Assembly, 4-Pole 5K	1	1
						Kit, Motor Assembly 4-Pole 5K	1	1

## Motors, 4-Pole, SSD Gearbox and Mounting Hardware

Item Number	Note	Part Number	Description	Quantity Per	
				Package	Assembly
			Label, Push/Drive	1	1
			Clamp, Band	1	1
			Locknut (M6 x 1)	1	1
			Washer, Plain (1/4 x 1/2 x 9/16")	1	1
			Spacer, Clamp, Molded	1	1
			Bolt, Round Head Square Neck (M6 x 1 x 35mm)	1	1
			Sheet, Insert Parts Service	1	1
			Grease, Super Lube (1cc Tube)	1	1
13	C	60129163	Kit, Brake Lever Handle and Cap w/ Hardware (Pair)	1	1
14			Lever, Brake, Black - Right	1	1
14			Lever, Brake, Black - Left	1	1
15			Cap, Brake Lever, Motor	1	2
16			Screw, LG Phillips Head (M3.5 x 0.6 x 8mm)	1	2
17			NLA - Screw, Set Socket Cup Point w/ Patch (M5 x .8 x 6mm)	1	2
18			Screw, LG Torx Socket Head Cap SC (M4.5 x 1.59 x 10mm)	1	2
			Sheet, Insert Parts Service	1	1
19	D,G	1179219	Kit, SSD Gearbox Assembly, 18:1 - RWD/FWD-Right & CWD-Left	1	1
7			Clamp, Band	1	1
8			Locknut (M6 x 1)	1	1
9			Washer, Plain (1/4 x 1/2 x 9/16")	1	1
10			Spacer, Clamp, Molded	1	1
11			Bolt, Round Head Square Neck (M6 x 1 x 35mm)	1	1
12			Gearbox Assembly, SSD, 18:1 - RWD/FWD-Right & CWD-Left	1	1
			Instruction Sheet, Installation	1	1
			Sheet, Insert Parts Service	1	1
			Grease, Super Lube (1cc Tube)	1	1
19	D,G	1179220	Kit, SSD Gearbox Assembly, 18:1 - RWD/FWD-Left & CWD-Right	1	1
7			Clamp, Band	1	1
8			Locknut (M6 x 1)	1	1
9			Washer, Plain (1/4 x 1/2 x 9/16")	1	1
10			Spacer, Clamp, Molded	1	1
11			Bolt, Round Head Square Neck (M6 x 1 x 35mm)	1	1
12			Gearbox Assembly, SSD, 18:1 - RWD/FWD-Left & CWD-Right	1	1
			Instruction Sheet, Installation	1	1
			Sheet, Insert Parts Service	1	1
			Grease, Super Lube (1cc Tube)	1	1
19	D,G,I	1179221	Kit, SSD Gearbox Assembly, 23:1 - RWD/FWD-Right & CWD-Left	1	1
7			Clamp, Band	1	1

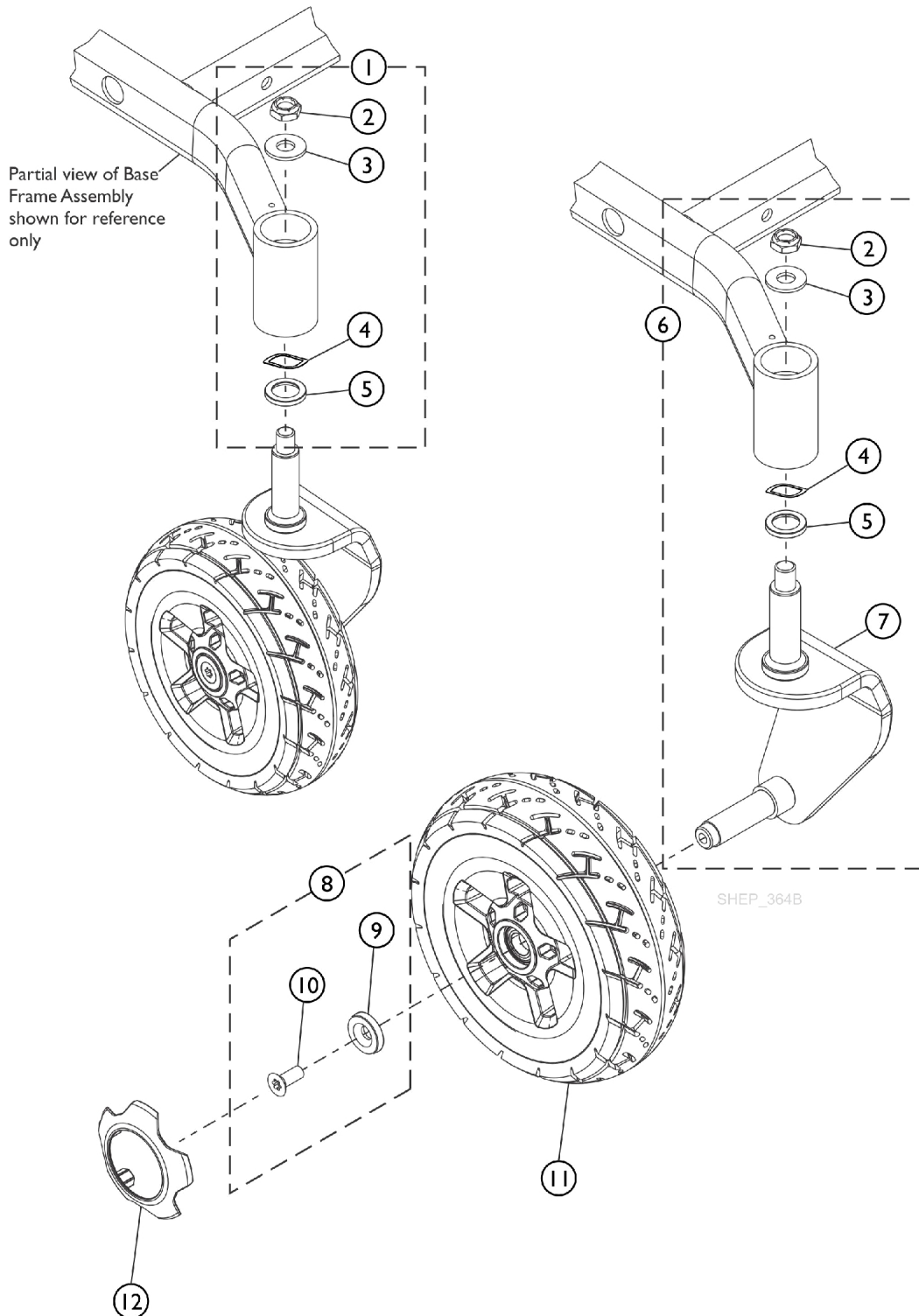
## Motors, 4-Pole, SSD Gearbox and Mounting Hardware

Item Number	Note	Part Number	Description	Quantity Per	
				Package	Assembly
8			Locknut (M6 x 1)	1	1
9			Washer, Plain (1/4 x 1/2 x 9/16")	1	1
10			Spacer, Clamp, Molded	1	1
11			Bolt, Round Head Square Neck (M6 x 1 x 35mm)	1	1
12			Gearbox Assembly, SSD, 23:1 - RWD/FWD-Right & CWD-Left	1	1
			Instruction Sheet, Installation	1	1
			Sheet, Insert Parts Service	1	1
			Grease, Super Lube (1cc Tube)	1	1
19	D,G,I	1179222	Kit, SSD Gearbox Assembly, 23:1 - RWD/FWD-Left & CWD-Right	1	1
7			Clamp, Band	1	1
8			Locknut (M6 x 1)	1	1
9			Washer, Plain (1/4 x 1/2 x 9/16")	1	1
10			Spacer, Clamp, Molded	1	1
11			Bolt, Round Head Square Neck (M6 x 1 x 35mm)	1	1
12			Gearbox Assembly, SSD, 23:1 - RWD/FWD-Left & CWD-Right	1	1
			Instruction Sheet, Installation	1	1
			Sheet, Insert Parts Service	1	1
			Grease, Super Lube (1cc Tube)	1	1
20	E	1168884	Kit, Motor/SSD Gearbox Band Clamp and Hardware	1	1
7			Clamp, Band	1	1
8			Locknut (M6 x 1)	1	1
9			Washer, Plain (1/4 x 1/2 x 9/16")	1	1
10			Spacer, Clamp, Molded	1	1
11			Bolt, Round Head Square Neck (M6 x 1 x 35mm)	1	1
			Grease, Super Lube (1cc Tube)	1	1
			Instruction Sheet, Installation	1	1
			Sheet, Insert Parts Service	1	1
21	F	60127914	Kit, Motor/SSD Gearbox Mounting Hardware	1	1
22			Screw, Socket Head Cap w/ Patch (M8 x 1.25 x 70mm)	1	4
23			Washer, Steel Black Zinc (11/32 x 5/8 x 1/8")	1	4
			Sheet, Insert Parts Service	1	1
			Grease, Super Lube (1cc Tube)	1	1
	J	1180609	Package, Grease, Super Lube (1cc Tube) (Pkg. of 10)	10	1

# Motors, 4-Pole, SSD Gearbox and Mounting Hardware

NOTE: A - Includes items 3-12, Super Lube Grease and Instruction Sheet.  
B - Includes items 3-5 and 7-11, Super Lube Grease and Instruction Sheet  
C - Includes items 14-18.  
D - Includes items 7-12, Super Lube Grease and Instruction Sheet  
E - Includes items 7-11, Super Lube Grease and Instruction Sheet  
F - Includes items 22, 23 and Super Lube Grease.  
G - Before placing an order, it is recommended to call Invacare's Technical Service Department at (1-800-832-4707) to verify if the Motor, SSD Gearbox or the Motor/SSD Gearbox Assembly is needed.  
H - When installing a new Motor or Motor/Gearbox Assembly, the Motor will need to be calibrated with Invacare Tech. Services. A LAK is required to complete the calibration.  
I - Used for HSMTR High Speed Motor Option.  
J - Not Shown. Super Lube Grease is applied to the Gearbox Output Shaft and sold in a package of 10.

# Caster - 8" Front - Single Sided Fork



## Caster - 8" Front - Single Sided Fork

Item Number	Note	Part Number	Description	Quantity Per	
				Package	Assembly
1	A	60127931	Kit, Fork Mounting Hardware	1	1
2			Locknut (1/2-20)	1	1
3			Washer DIN 125-013 zc	1	1
4			Washer, Wave (25/32 x 1 x 1/64")	1	1
5			Spacer, Bronze Fork	1	1
			Sheet, Insert Parts Service	1	1
6	B	60127898	Kit, Fork Assembly, Single Sided w/ Hardware (8") - Right	1	1
2			Locknut (1/2-20)	1	1
3			Washer DIN 125-013 zc	1	1
4			Washer, Wave (25/32 x 1 x 1/64")	1	1
5			Spacer, Bronze Fork	1	1
7			Fork, Single Sided 8" - Right	1	1
			Sheet, Insert Parts Service	1	1
6	B	60127899	Kit, Fork Assembly, Single Sided w/ Hardware (8") - Left	1	1
2			Locknut (1/2-20)	1	1
3			Washer DIN 125-013 zc	1	1
4			Washer, Wave (25/32 x 1 x 1/64")	1	1
5			Spacer, Bronze Fork	1	1
7			Fork, Single Sided 8" - Left	1	1
			Sheet, Insert Parts Service	1	1
8	C	60124367	Kit, Caster Mounting Hardware	1	1
9			Spacer, Black (9 x 27 x 5.5mm)	1	1
10			Screw, DIN7991SVZ TX PB (M8 x 20 x 12.9mm)	1	1
			Sheet, Insert Parts Service	1	1
11	D	60124366	Kit, Wheel Assembly, Flat Free, Black (8x2.50-4) Right and Left (Pair)	2	1
12		See Chart	Item #12 Caster Rim Cap Kit	1	1
12		See Chart	Item #12 Caster Rim Cap Kit (continued)	1	1
NOTE: A - Includes items 2-5 B - Includes items 2-5 and 7 C - Includes items 9 and 10 D - Right and Left side Wheel Assembly sold as pair only.					

### Item #12 Caster Rim Cap Kit

Description	Obsidian Black (170PR)	Ruby Red (171PR)	Peacock Blue (172PR)	Pink Flamingo (173PR)	Purple Passion (174PR)	Denim Navy (175PR)
Caster Rim Cap Kit	60129184 See Note(s) A	60129185 See Note(s) A	60129186 See Note(s) A	60129187 See Note(s) A	60129188 See Note(s) A	60129189 See Note(s) A
NOTE: A - Includes 1 ea. Caster Rim Cap						



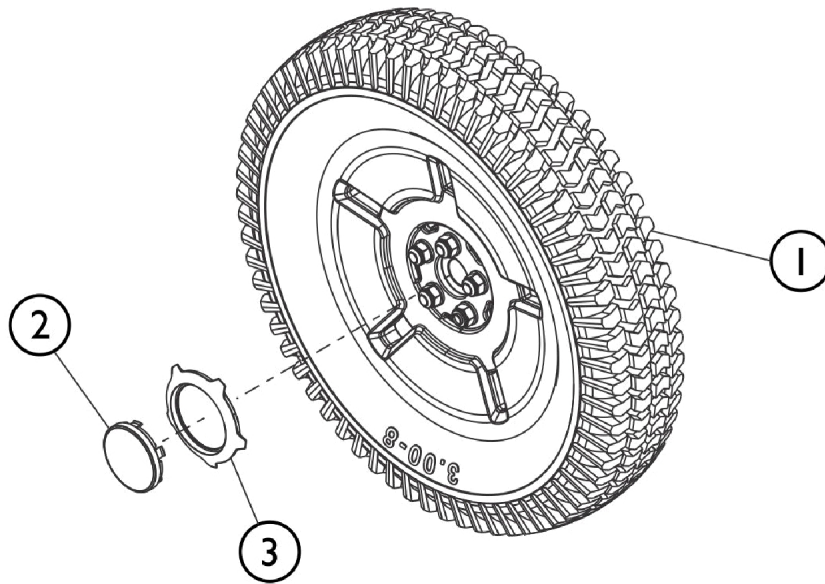
# Caster - 8" Front - Single Sided Fork

## Item #12 Caster Rim Cap Kit (continued)

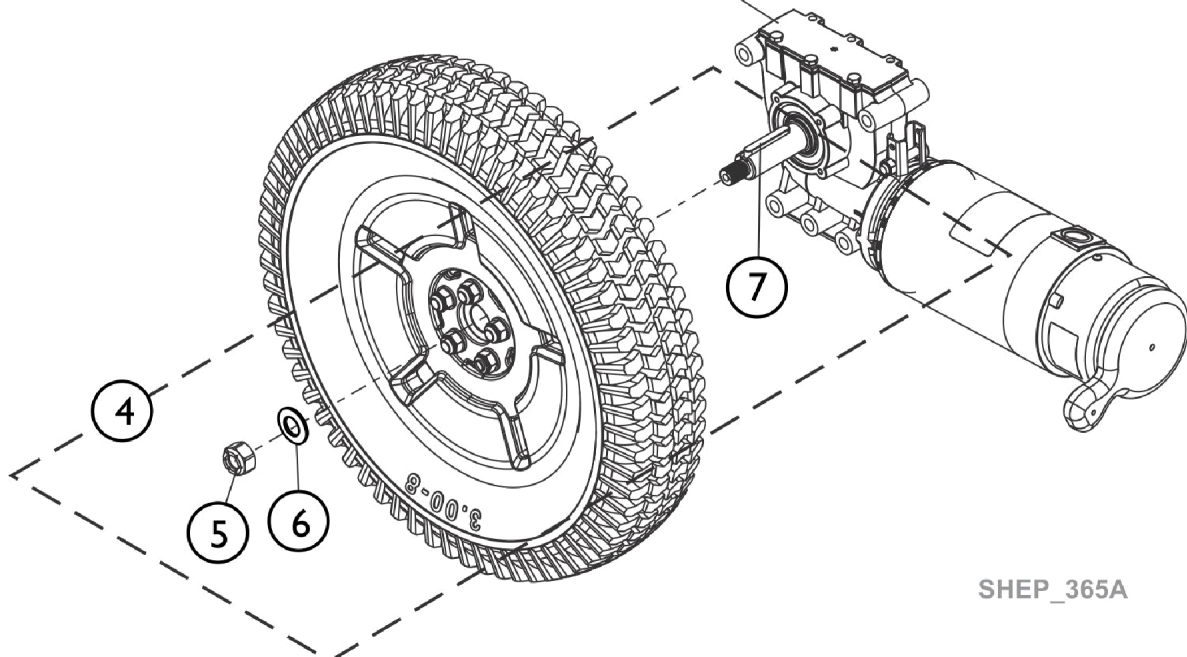
Description	Lime Twist (176PR)	Artic Blue (177PR)	Banana Split (178PR)	Orange Marmalade (179PR)	Morning Mist (180PR)
Caster Rim Cap Kit	60129190 See Note(s) A	60129191 See Note(s) A	60129192 See Note(s) A	60129193 See Note(s) A	60129194 See Note(s) A

NOTE: A - Includes 1 ea. Caster Rim Cap

# Drive Wheels and Mounting Hardware (14" x 3")



Motor/Gearbox Assembly  
shown for reference only



SHEP\_365A

## Drive Wheels and Mounting Hardware (14" x 3")

Item Number	Note	Part Number	Description	Quantity Per	
				Package	Assembly
1	A	60124365	Kit, Drive Wheel, Flat Free w/ Hub Assembly, Black (14" x 3")	1	1
1	A	60127943	Kit, Drive Wheel, Pneumatic w/ Hub Assembly, Black (14" x 3")	1	1
2		60129164	Kit, Drive Wheel Hub Cap, Black	1	1
3		See Chart	Item #3 Drive Wheel Rim Cap Kit	1	1
3		See Chart	Item #3 Drive Wheel Rim Cap Kit (continued)	1	1
4	B	60129154	Kit, Drive Wheel Mounting Hardware	1	1
5			Locknut (M12 x 1.5)	1	1
6			Washer, Belleville (12 x 23 x 1.5mm)	1	1
7			Key (6mm x 6mm x 40mm)	1	1
7		1023264	Sheet, Insert Parts Service	1	1
7			Key (6mm x 6mm x 40mm)	1	1

NOTE: A - Sold Complete.  
B - Includes items 5-7.

### Item #3 Drive Wheel Rim Cap Kit

Description	Obsidian Black (170PR)	Ruby Red (171PR)	Peacock Blue (172PR)	Pink Flamingo (173PR)	Purple Passion (174PR)	Denim Navy (175PR)
Drive Wheel Rim Cap Kit	60129173 See Note(s) A	60129174 See Note(s) A	60129175 See Note(s) A	60129176 See Note(s) A	60129177 See Note(s) A	60129178

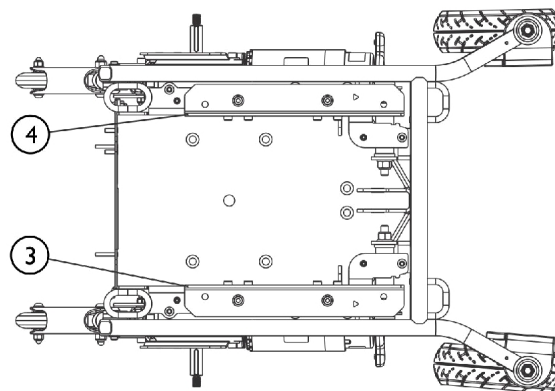
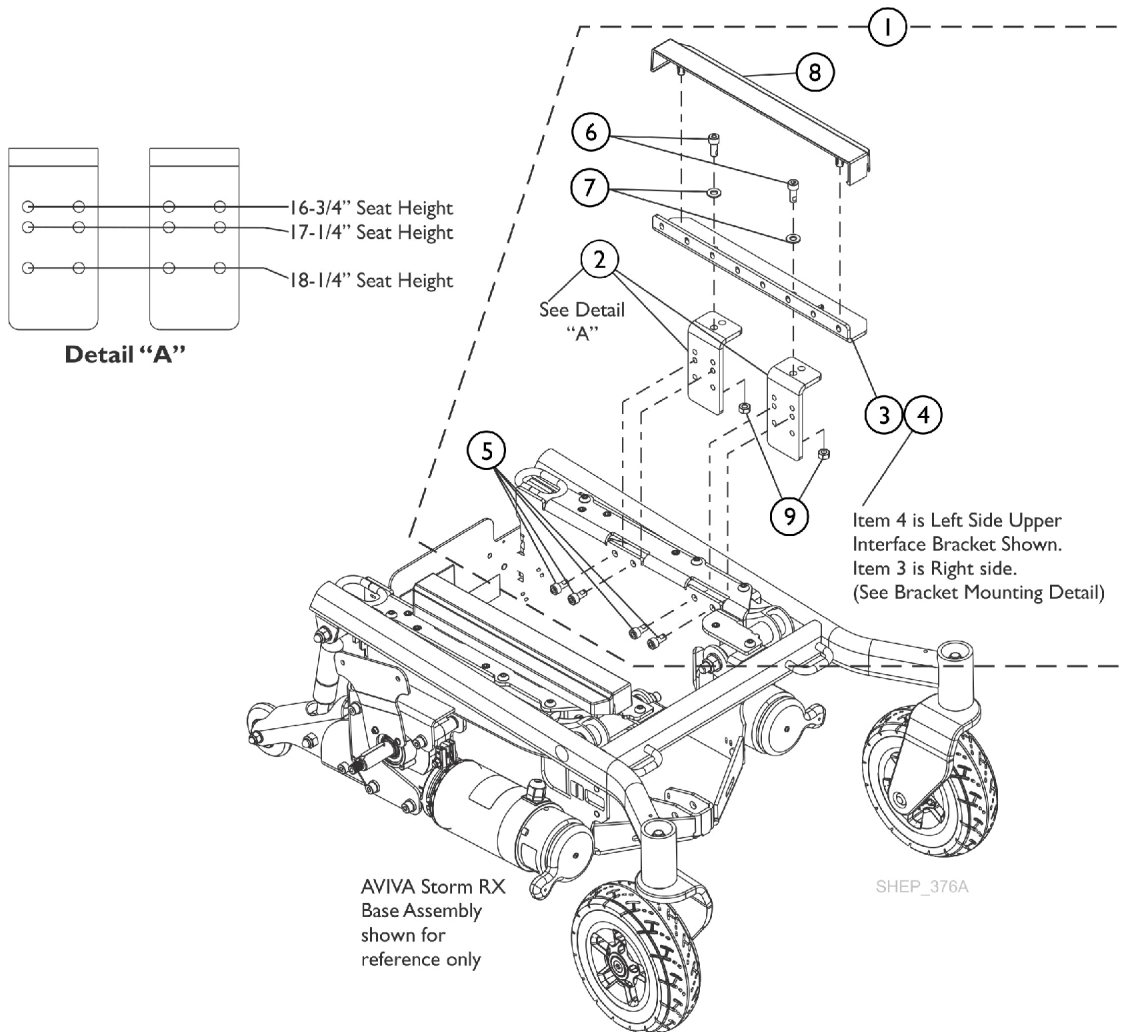
NOTE: A - Includes 1 ea. Drive Wheel Rim Cap.

### Item #3 Drive Wheel Rim Cap Kit (continued)

Description	Lime Twist (176PR)	Artic Blue (177PR)	Banana Split (178PR)	Orange Marmalade (179PR)	Morning Mist (180PR)
Drive Wheel Rim Cap Kit	60129179 See Note(s) A	60129180 See Note(s) A	60129181 See Note(s) A	60129182 See Note(s) A	60129183 See Note(s) A

NOTE: A - Includes 1 ea. Drive Wheel Rim Cap.

# Seat Mounting Upper Interface Brackets and Hardware For Ultra Low Maxx Seating System (Wide Base)



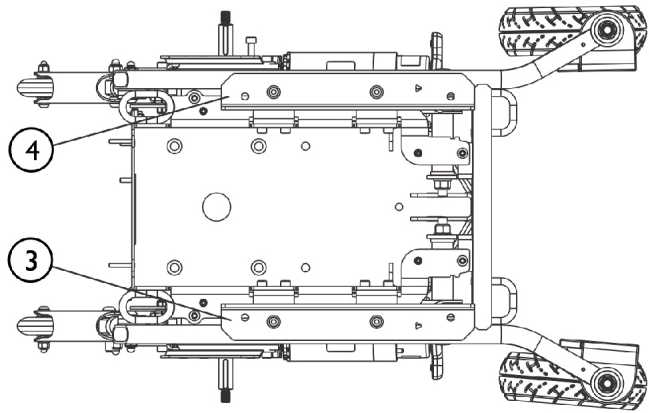
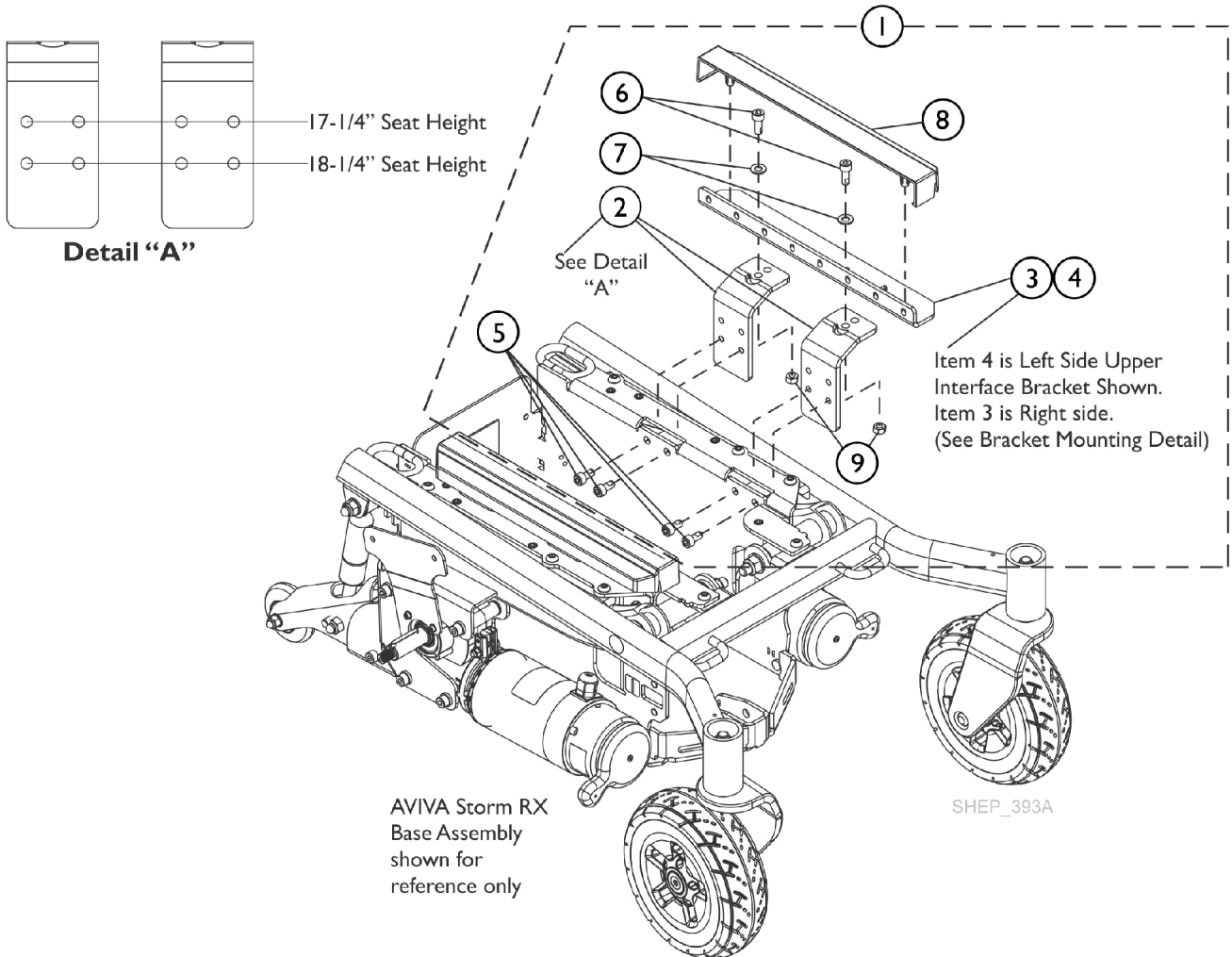
**Bracket Mounting Detail**

## Seat Mounting Upper Interface Brackets and Hardware For Ultra Low Maxx Seating System (Wide Base)

Item Number	Note	Part Number	Description	Quantity Per	
				Package	Assembly
1	A	60127915	Kit, Seat Mounting Upper Interface Brackets and Hardware, Wide	1	1
2			Bracket, Seat Adjustment, Black, Wide	1	4
3			Bracket, Upper Interface, Black - Right	1	1
4			Bracket, Upper Interface, Black - Left	1	1
5			Screw, Socket Head Cap w/ Patch (M8 x 1.25 x 16mm)	1	8
6			Screw, Socket Head w/ Patch (M8 x 1.25 x 20mm)	1	4
7			Washer, Black Zinc (11/32 x 11/16 x 1/16")	1	4
8			Cover, Seat Mounting	1	2
9			Nut, Hex (M8)	1	4
			Sheet, Insert Parts Service	1	1

NOTE: A - Includes items 2-9

# Seat Mounting Upper Interface Brackets and Hardware For Ultra Low Maxx Seating System (Narrow Base)

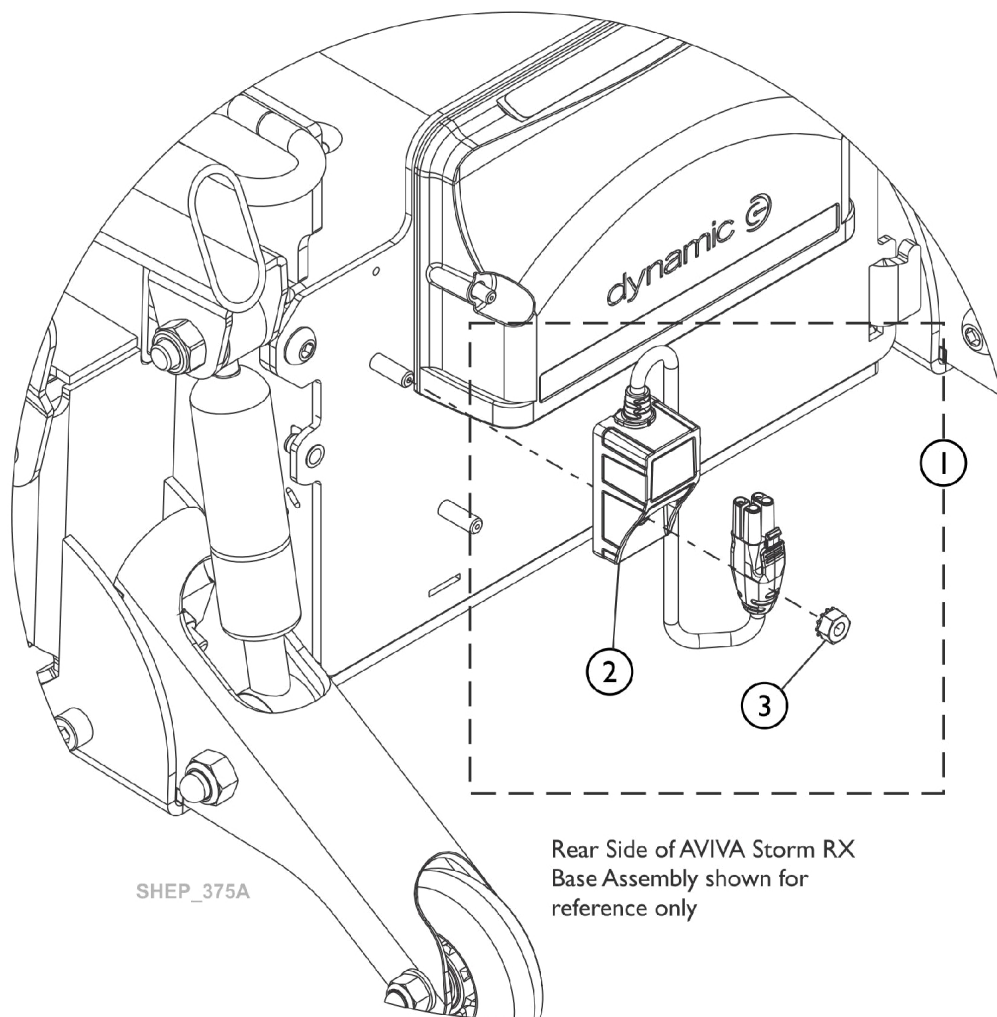


## Seat Mounting Upper Interface Brackets and Hardware For Ultra Low Maxx Seating System (Narrow Base)

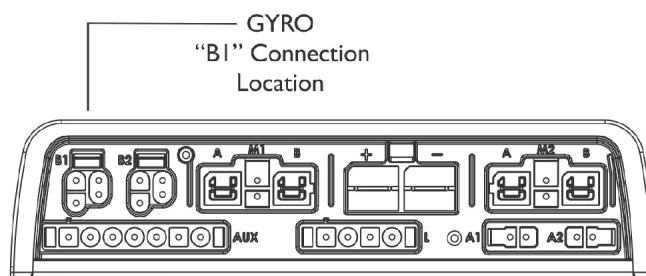
Item Number	Note	Part Number	Description	Quantity Per	
				Package	Assembly
1	A	60128936	Kit, Seat Mounting Upper Interface Brackets and Hardware, Narrow	1	1
2			Bracket, Seat Adjustment, Black, Narrow	1	4
3			Bracket, Upper Interface, Black - Right	1	1
4			Bracket, Upper Interface, Black - Left	1	1
5			Screw, Socket Head Cap w/ Patch (M8 x 1.25 x 16mm)	1	8
6			Screw, Socket Head w/ Patch (M8 x 1.25 x 20mm)	1	4
7			Washer, Black Zinc (11/32 x 11/16 x 1/16")	1	4
8			Cover, Seat Mounting	1	2
9			Nut, Hex (M8)	1	4
			Sheet, Insert Parts Service	1	1

NOTE: A - Includes items 2-9

# Electronics - GYRO Module and Mounting Hardware



Rear Side of AVIVA Storm RX  
Base Assembly shown for  
reference only



**LiNX Power Module I20AL**  
Shown for reference only



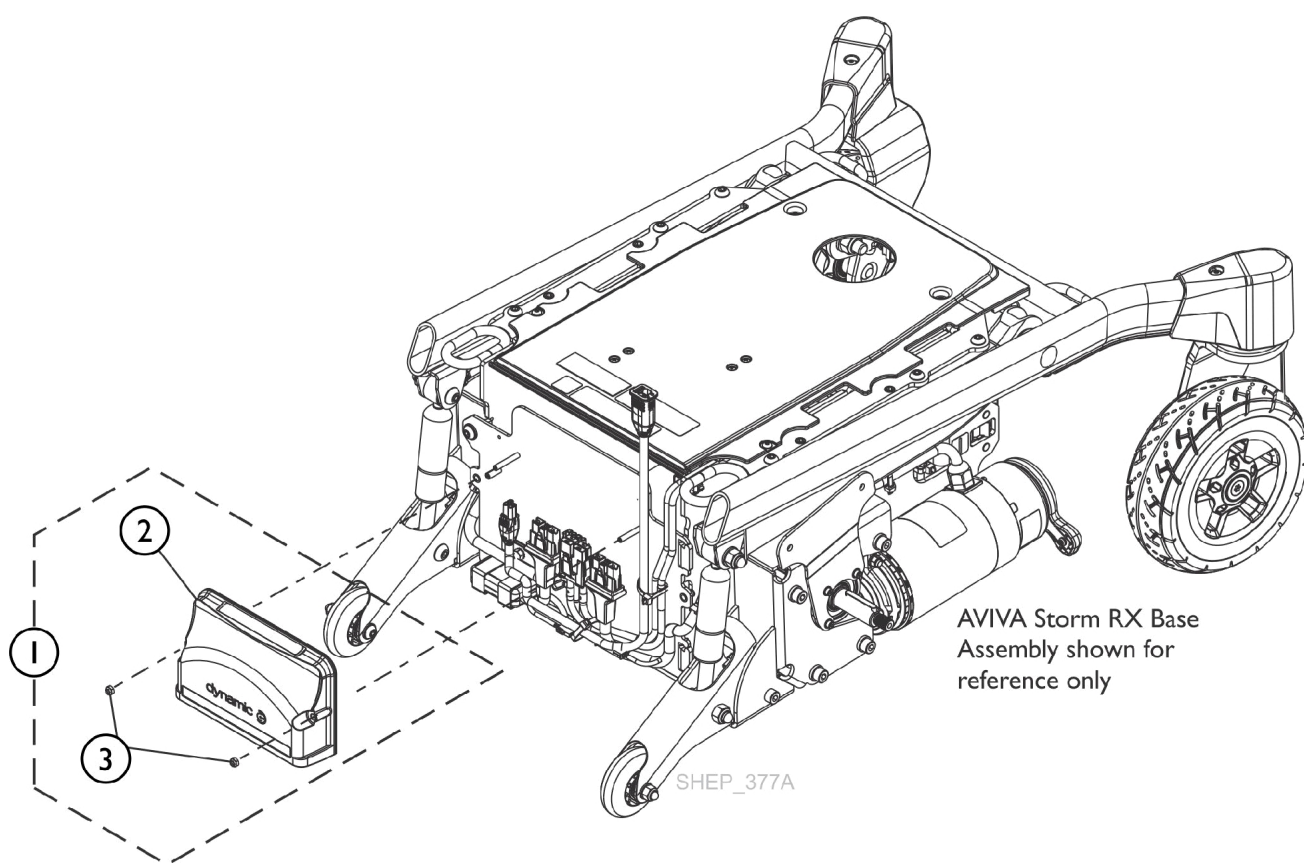
## Electronics - GYRO Module and Mounting Hardware

Item Number	Note	Part Number	Description	Quantity Per	
				Package	Assembly
1	A	60127936	Kit, Module, GYRO and Mounting Hardware	1	1
2			Module, GYRO LiNX (310mm)	1	1
3			Nut (M6 x 1mm)	1	1
			Sheet, Insert Parts Service	1	1

NOTE: A - Includes items 2 and 3

# LiNX Power Module 120AL and Mounting Hardware

**NOTE:** When installing a new Power Module, the Motors will need to be calibrated with Invacare Tech. Services. An LAK is required to complete the calibration.



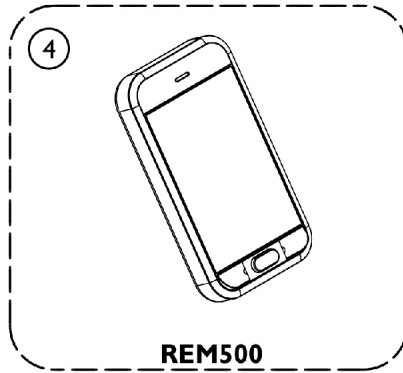
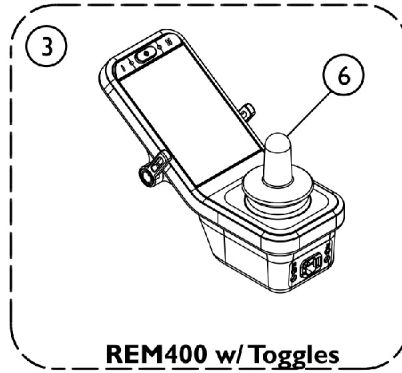
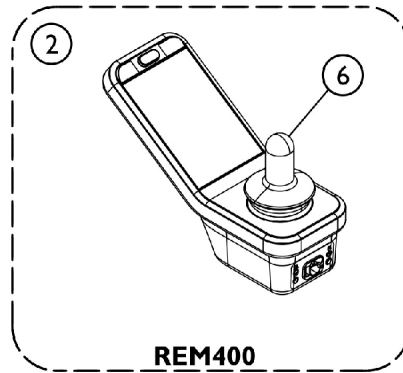
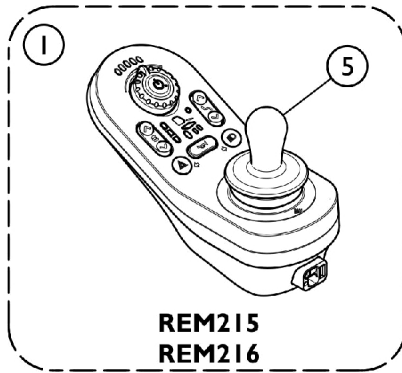
# LiNX Power Module 120AL and Mounting Hardware

**NOTE: When installing a new Power Module, the Motors will need to be calibrated with Invacare Tech. Services. An LAK is required to complete the calibration.**

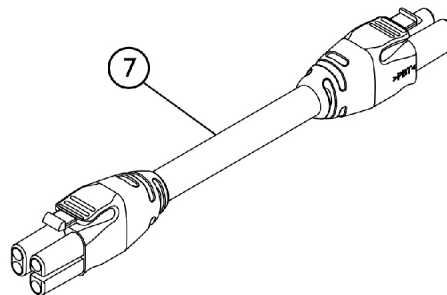
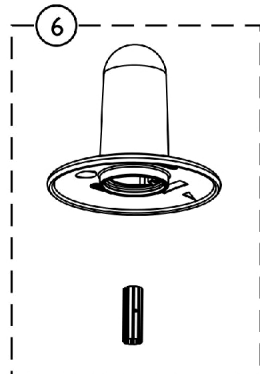
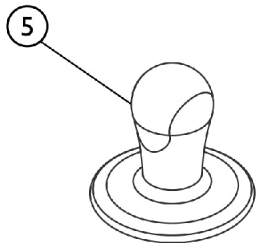
Item Number	Note	Part Number	Description	Quantity Per	
				Package	Assembly
1	A	60124961	Kit, LiNX Power Module 120AL and Mounting Hardware	1	1
2			LiNX Power Module 120AL	1	1
3			Locknut (M5 x .8mm)	1	2

NOTE: A - Includes items 2 and 3

# Remotes, Displays and Bus Cables



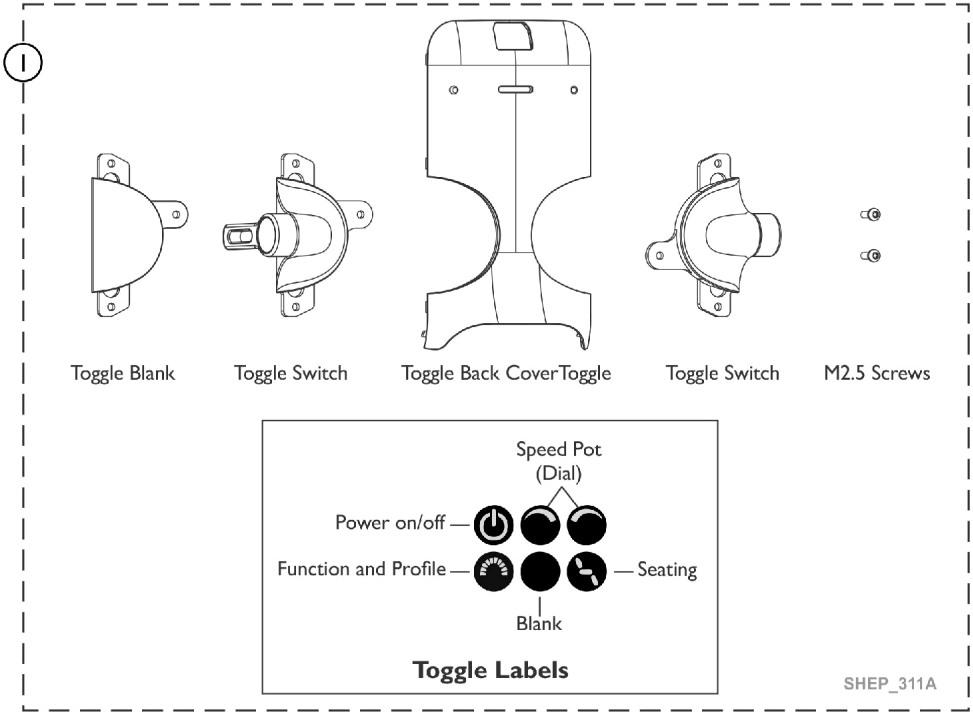
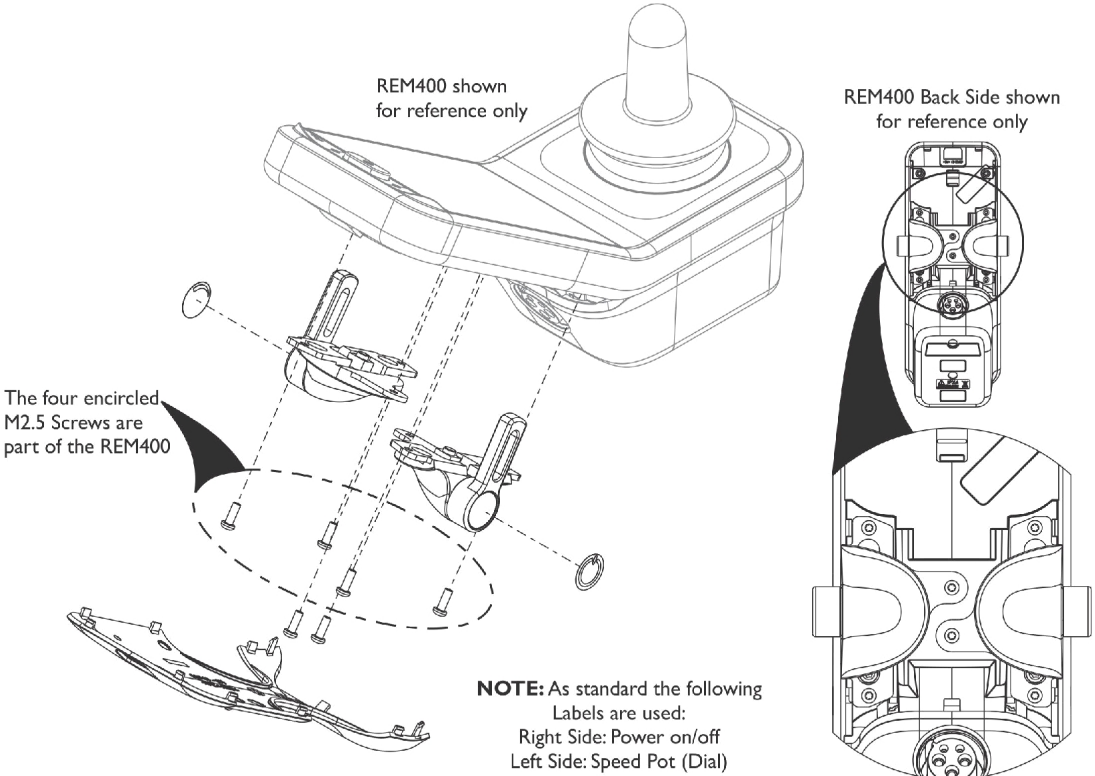
SHEP\_381A



## Remotes, Displays and Bus Cables

Item Number	Note	Part Number	Description	Quantity Per	
				Package	Assembly
1	A	60124979	Kit, LiNX Remote DLX-REM215	1	1
1	B	60102504	Kit, LiNX Remote DLX-REM216	1	1
2	B	60102505	Kit, LiNX Remote DLX-REM400 Touch Screen	1	1
3	B	60108460	Kit, LiNX Remote DLX-REM400 Touch Screen w/ Toggles	1	1
4	B	60102506	Kit, LiNX Remote DLX-REM500 Display Only	1	1
5	C	GPL55470	Knob, Joystick (JS4REM050)	1	1
6		GPA55475	Knob, Joystick (DLX-REM400-A)	1	1
7	D	60102530	Kit, LiNX Bus Cable (PWH) 1500mm 59-1/16" (GLM-BUS150)	1	1
			LiNX Bus Cable (PWH) 1500mm 59-1/16" (GLM-BUS150)	1	1
			Sheet, Insert Parts Service	1	1
7	E	60102531	Kit, LiNX Bus Cable (PWH) 1700mm 66-59/64" (GLM-BUS170)	1	1
			LiNX Bus Cable (PWH) 1700mm 66-59/64" (GLM-BUS170)	1	1
			Sheet, Insert Parts Service	1	1
<b>NOTE:</b> A - Drive, 1 or 2 Actuators, Lights B - Drive, Actuators 2 or more, Lights C - Used for all Remotes except DLX-REM400 D - Used for REM215, REM216, REM400 Remotes E - Used for REM500 Remote					

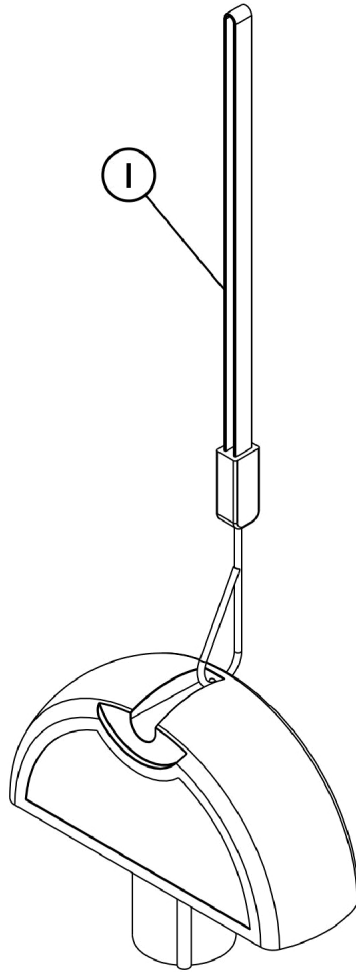
# Toggle Switch Kit (SW400TGL) For LINX DLX-REM400 Remote



## Toggle Switch Kit (SW400TGL) For LiNX DLX-REM400 Remote

Item Number	Note	Part Number	Description	Quantity Per	
				Package	Assembly
1	A	60108451	Kit, Toggle, DLX-REM400 Touch Screen (SW400TGL)	1	1
NOTE: A - Kit includes all items shown for Item #1.					

## Accessories - LiNX Access Key



SHEP 379A

Item Number	Note	Part Number	Description	Quantity Per	
				Package	Assembly
1		60102470	Kit, Key, LiNX Access	1	1



Invacare Corporation

[www.invacare.com](http://www.invacare.com)



**Yes, you can.**

One Invacare Way  
Elyria, Oh USA  
44036-2125  
800-333-6900

Technical Support  
800-832-4707  
Customer Service  
800-333-6900

Literature Orders  
800-333-6900

© 2022 Invacare Corporation. All rights reserved. Republication, duplication or modification in whole or in part is prohibited without prior written permission from Invacare. Trademarks are identified by <sup>TM</sup> and ©. All trademarks are owned by or licensed to Invacare Corporation or its subsidiaries unless otherwise noted. (Revised 11/24/22)

Form No. 20-099