

**Invacare® Stand Assist ISA™ Lifter
ISA™ COMPACT and ISA™ XPLUS**



Yes, you can.

Parts Catalog Usage Guide

The information contained in this document is subject to change without notice. This catalog contains service parts for Form No. 20-096. If you have any questions regarding this catalog, please contact one of our Customer Service Representatives.

For Customer Service Support Call:

1-800-333-6900

For Faxed In Orders Call:

1-800-678-4682 or

1-440-366-0709

For Technical Service Call:

1-800-832-4707

Literature Can Be Found at:

www.invacare.com or

1-800-828-6272

SYMBOL DEFINITION

Throughout this catalog you will notice letters to draw your attention to specific footnotes which are located at the bottom of the page or below specified charts.

Examples:

A,B,C etc. = Special Comments

NOTE: = General information pertaining to that specific page

NLA = No Longer Available

HARDWARE MEASUREMENTS

The measurements for the hardware will be listed as follows:

Screws, Bolts Diameter X Thread Count/Pitch X Length

Washers Inside Diameter X Outside Diameter X Thickness

Spacers Inside Diameter X Outside Diameter X Length

For your convenience, we have supplied an area for you to list your Invacare Representatives.

Name	Phone Numbers

© 2022 Invacare Corporation, Elyria, Ohio. Invacare, the Medallion Design and Yes, you can. are registered trademarks of the Invacare Corporation. Information is subject to change without notification.

TABLE of CONTENTS

Description	Page Number
Base and Legs - Base and Legs for Fixed Mast w/ Electrical Leg Spread, ISA XPLUS	6
Base and Legs - Base and Legs for Fixed Mast w/ Manual Leg Spread, ISA COMPACT	4
Base and Legs - Casters	12
Base and Legs - Foot Plate	10
Base and Legs - Pedal Mechanism Assembly for ISA COMPACT	8
Electrical Parts - Actuator for Boom	14
Electrical Parts - Actuator for Electrical Leg Spread - ISA XPLUS	16
Electrical Parts - Control Units and Pendant Hand Controls	18
Electrical Parts - Electrical Accessories and Hardware	20
Literature	3
Mast and Boom - Boom and Lifting Arm Assembly	24
Mast and Boom - Leg Support	26
Mast and Boom - Mast	22
Spareparts for Accessories - Leg Band	30
Spareparts for Accessories - Lever Assembly for Leg Spread - ISA COMPACT	28
Spareparts for Accessories - Protective Covers for Legs	32

Literature

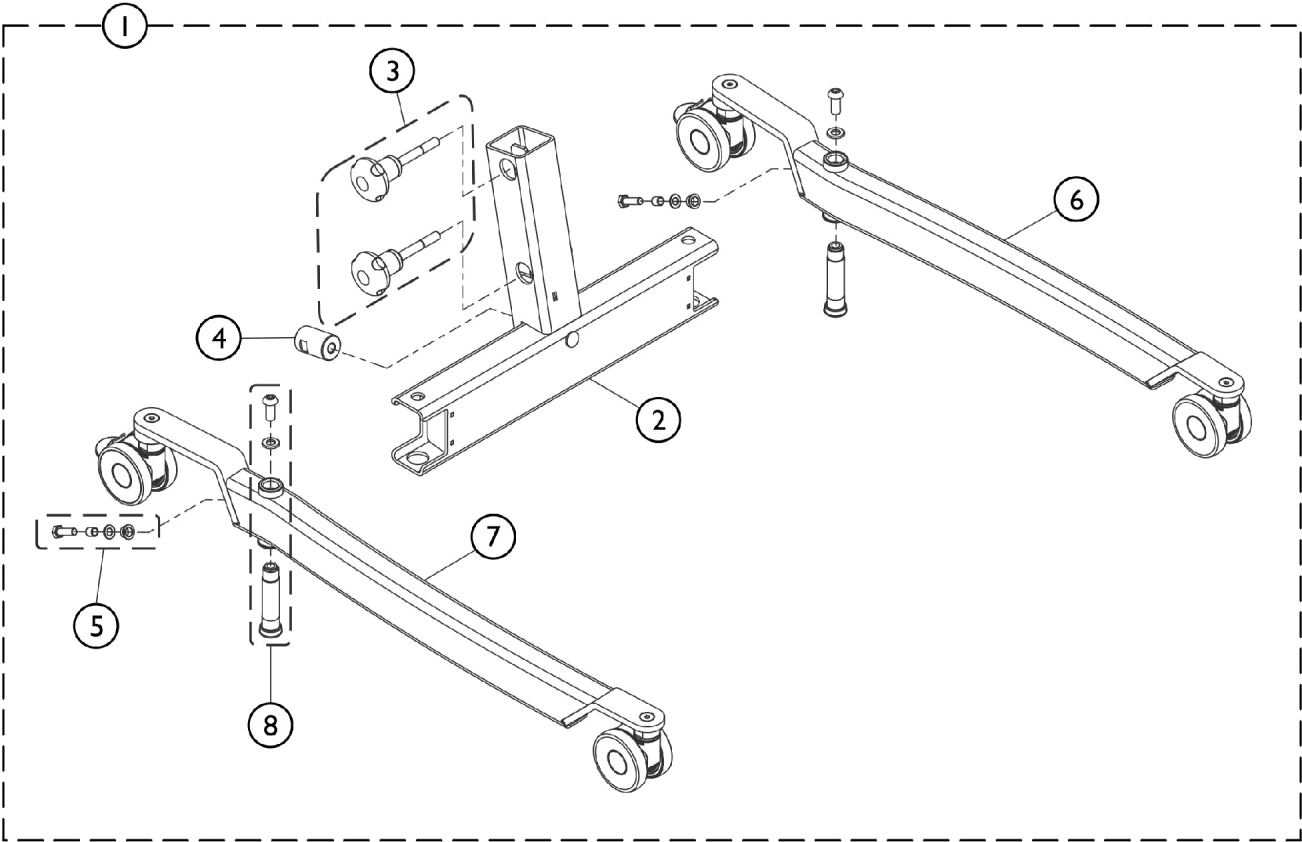
User Manual

ISA COMPACT and ISA XPLUS - 60127405*

* When adjusting or replacing parts, please refer to your User Manual for assistance. The User Manual can be found at www.invacare.com/homecare under Literature Search.

SPT_110A

Base and Legs for Fixed Mast w/ Manual Leg Spread ISA COMPACT



ISPS1655100 ~ 1651552

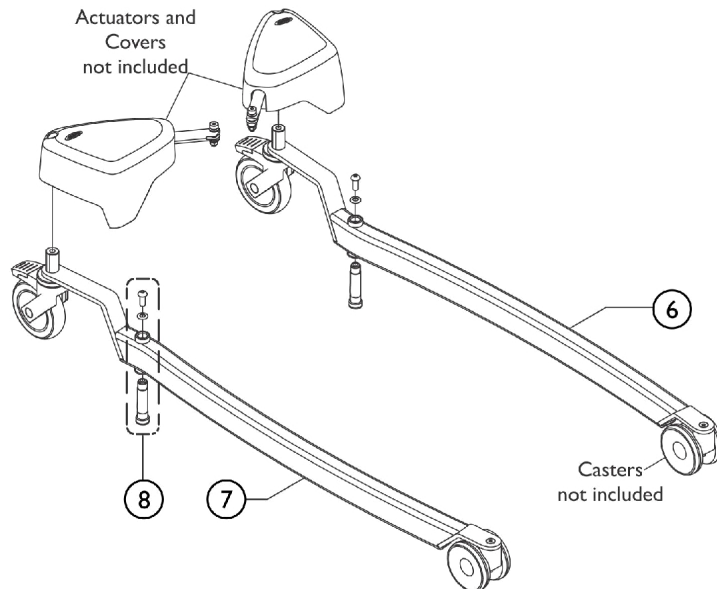
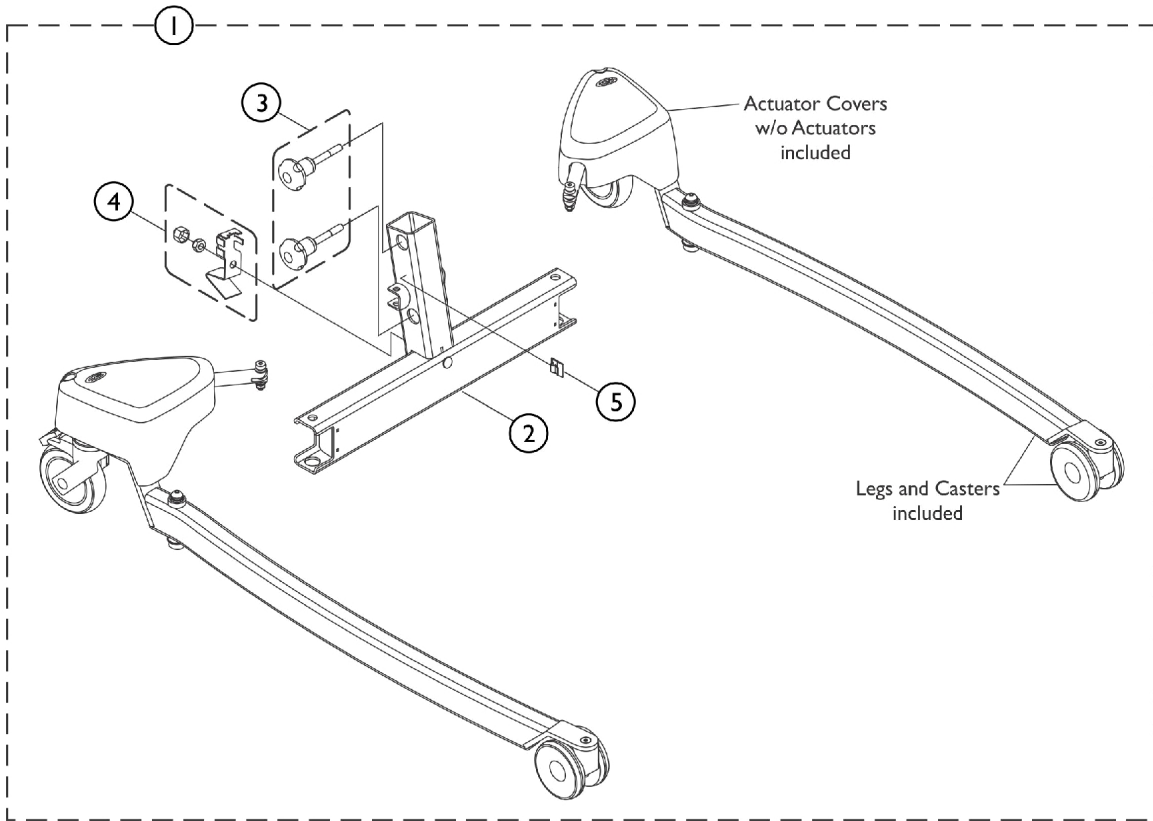
SPT_084A

Base and Legs for Fixed Mast w/ Manual Leg Spread ISA COMPACT

Item Number	Note	Part Number	Description	Quantity Per	
				Package	Assembly
2		SP1645809	Base, Fixed Mast for ISA COMPACT	1	1
3		SP1650836	Kit, Knob Hardware	1	1
4		SP1510217-701	Pedal Axle, Birdie/ISA Lifts	1	1
		2			
5		SP1650835	Kit, Hardware, Leg and Rod Connection	1	1
6		SP1655433	Leg, ISA COMPACT - Left	1	1
7		SP1655434	Leg, ISA COMPACT - Right	1	1
8		SP1650839	Kit, Hardware, Bushing, Screw and Washer	1	1

Item #1 Base and Legs Assembly w/ 100mm (4") Casters is Non-Saleable

Base and Legs for Fixed Mast w/ Electrical Leg Spread ISA XPLUS



ISP1650822 ~ 1646828
ISP51650823 ~ 1645846

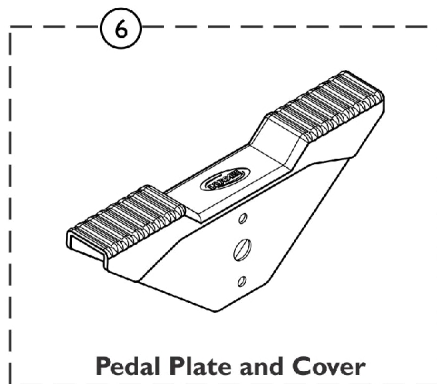
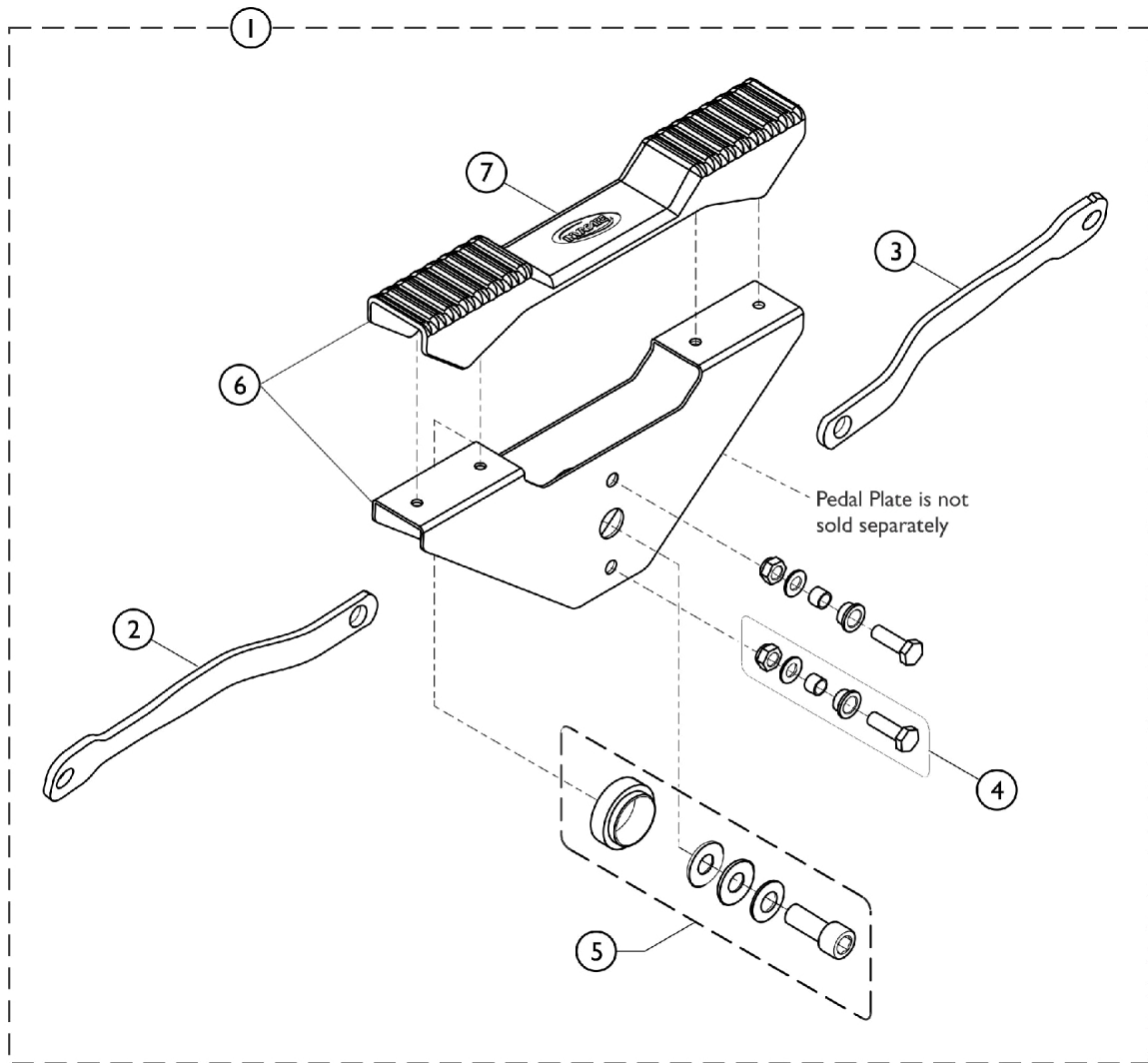
SPT_055A

Base and Legs for Fixed Mast w/ Electrical Leg Spread ISA XPLUS

Item Number	Note	Part Number	Description	Quantity Per	
				Package	Assembly
2		SP1646829	Base, Fixed Mast for Birdie EVO XPLUS/ ISA XPLUS	1	1
3		SP1650836	Kit, Knob Hardware	1	1
4		SP1651198	Kit, Base Hardware	1	1
5		SP1651199	Leg, Birdie EVO XPLUS/ ISA XPLUS - Left	1	1
6		SP1651200	Leg, Birdie EVO XPLUS/ ISA XPLUS - Right	1	1
7		SP1650839	Kit, Hardware, Bushing, Screw and Washer	1	1
8		SP1426680	Clips, Cable (Pkg. of 2)	2	1

Item #1 Base and Legs Assembly w/ Casters is Non-Saleable.

Pedal Mechanism Assembly ISA COMPACT



ISPS1650729 ~ 1646185

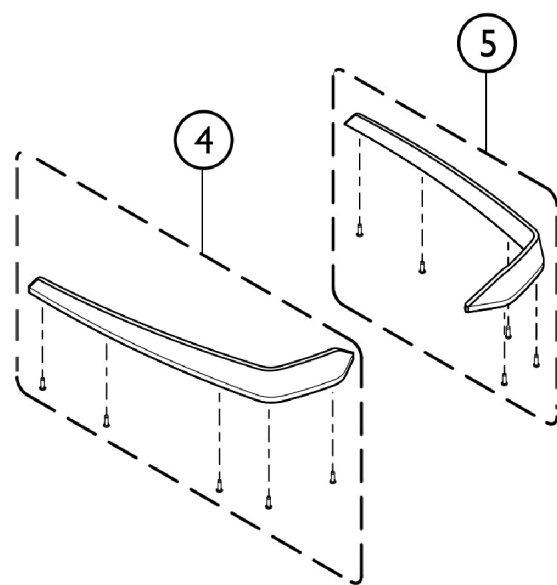
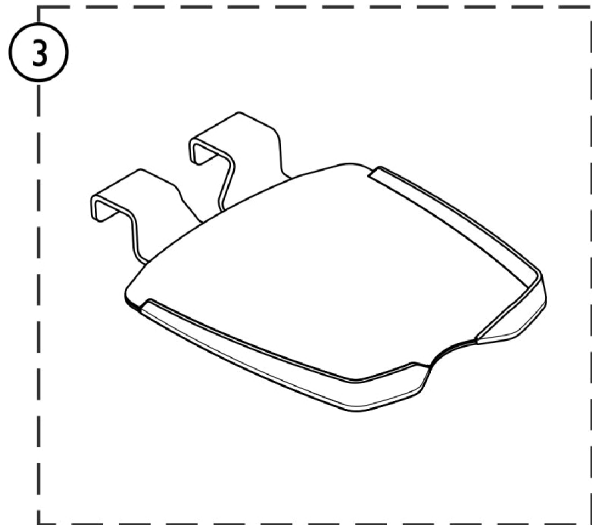
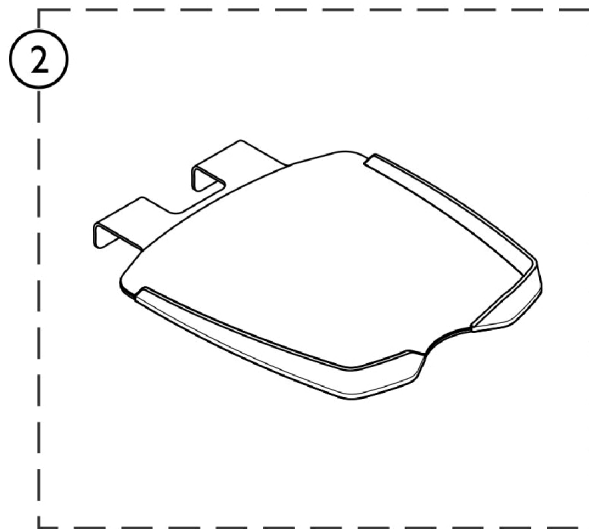
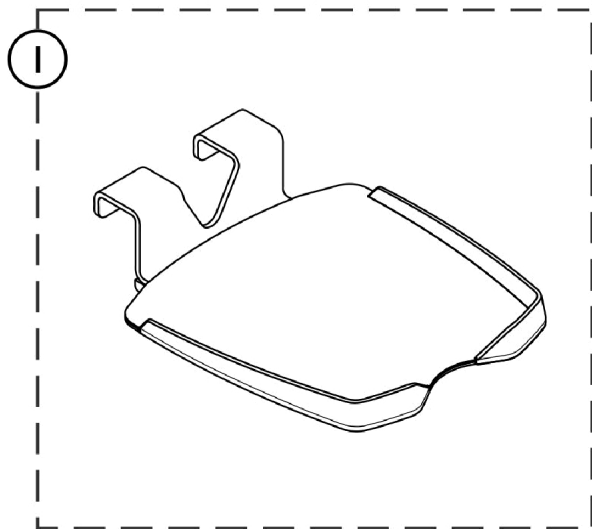
SPT_044A

Pedal Mechanism Assembly ISA COMPACT

Item Number	Note	Part Number	Description	Quantity Per	
				Package	Assembly
1	A	SP1646185	Pedal Mechanism Assembly	1	1
2		SP1645791	Rod, Connecting - Left	1	1
3		SP1645790	Rod, Connecting w/ Dent - Right	1	1
4		SP1650840	Kit, Hardware, Pedal to Rod Connection	1	1
5		SP1650841	Kit, Hardware, Pedal to Base Connection	1	1
6		SP1650842	Kit, Pedal (Plate and Cover)	1	1
7	B	SP1645588	Cover, Pedal	1	1

NOTE: A - Includes items 2-6
B - Plate is not sold separately.

Base and Legs - Foot Plate

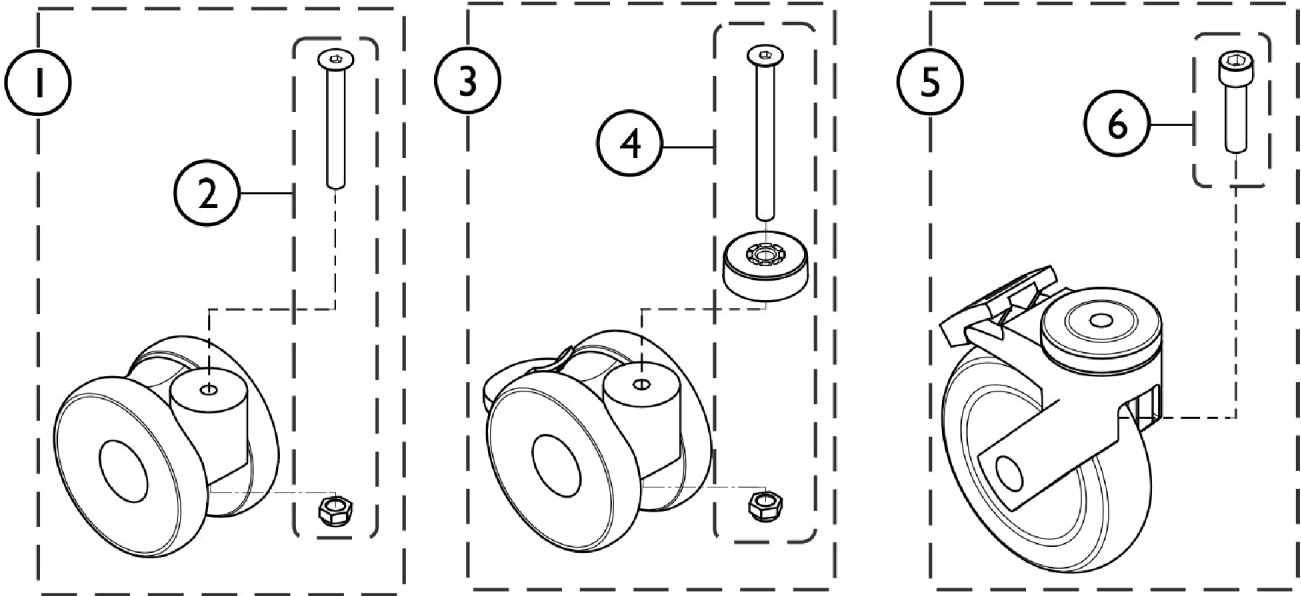


ISPS1655231
SPT_093A

Base and Legs - Foot Plate

Item Number	Note	Part Number	Description	Quantity Per	
				Package	Assembly
1	A	AP60128425	Foot Plate, Low and Flat	1	1
2	B	AP60128426	Foot Plate, High and Flat	1	1
3	C	SP60127435	Foot Plate, Intermediate and Inclined	1	1
4		SP1655436	Kit, Foot Plate Heel Block - Right	1	1
5		SP1655435	Kit, Foot Plate Heel Block - Left	1	1
NOTE: A - Item #1 accommodates a tall user for a better/customized fit. B - Item #2 accommodates a short user for a better/customized fit. C - Item #3 comes standard and used for both ISA COMPACT and ISA XPLUS.					

Casters



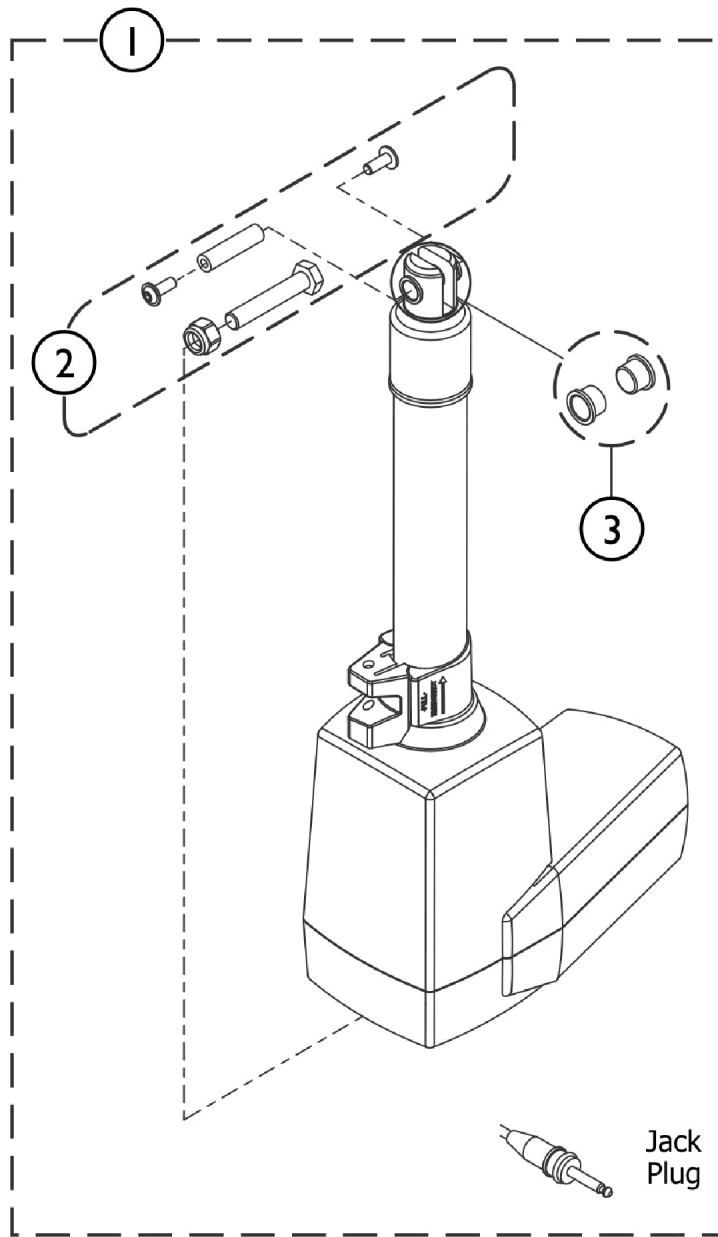
!SPS1655232

SPT_094A

Casters

Item Number	Note	Part Number	Description	Quantity Per	
				Package	Assembly
1		SP1650846	Castor w/o Brake, Front w/ Hardware 100mm (4")	1	2
2		SP1650848	Hardware, Castor w/o Brake, Front 100mm (4")	1	2
3		SP1650847	Caster w/ Brake, Rear w/ Hardware 100mm (4")	1	2
4		SP1650849	Hardware, Castor w/ Brake, Rear 100mm (4")	1	2
5		SP1660537	Kit, Caster w/ Brake, Rear w/ Hardware 125mm (5")	1	2
6		SP1660538	Screw for Rear Caster 125mm (5") (Pkg. of 2)	2	1

Actuator for Boom



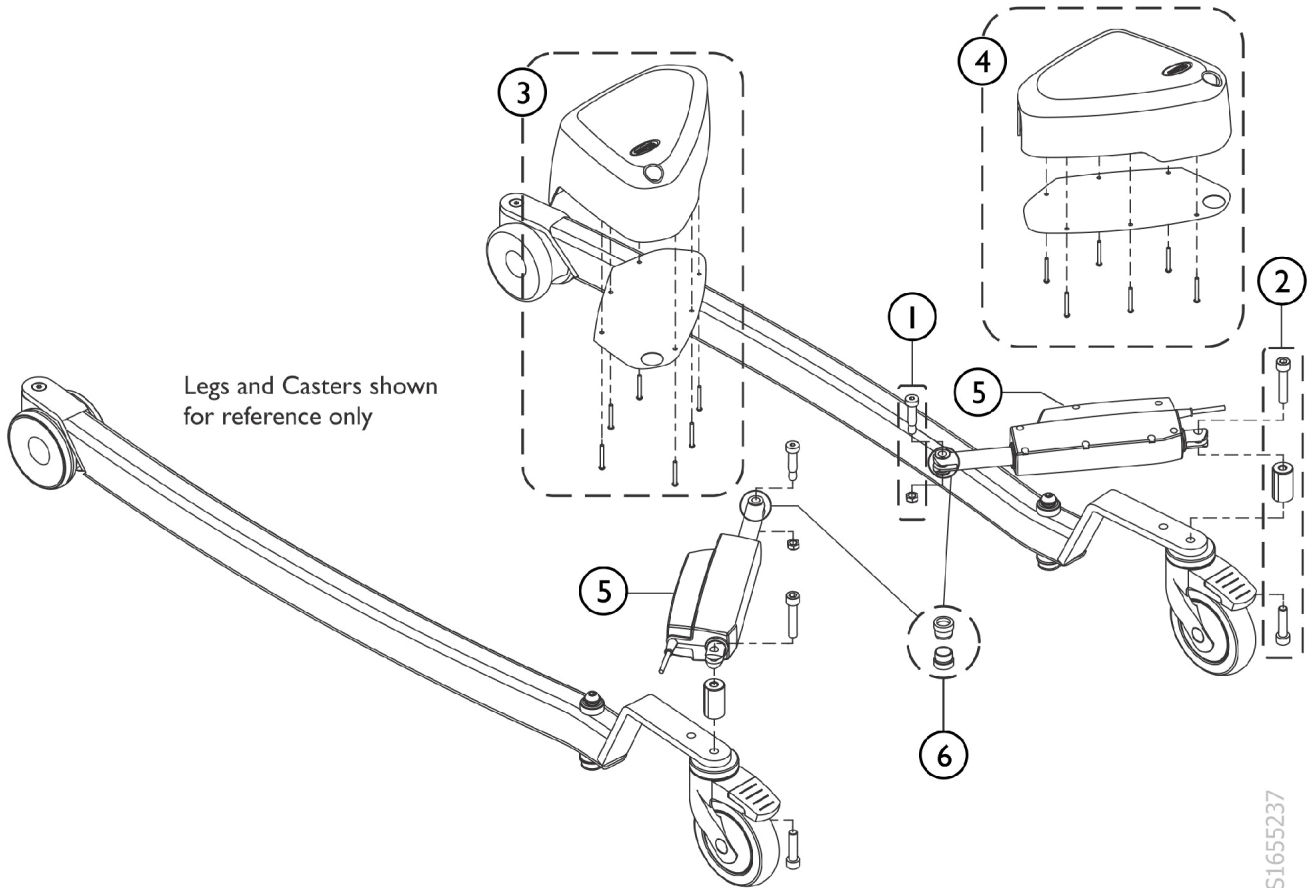
ISPS1655235

SPT_097A

Actuator for Boom

Item Number	Note	Part Number	Description	Quantity Per	
				Package	Assembly
1		SP1655438	Kit, Boom Actuator, LA34 Jack Plug and Hardware (24VDC/10.5A)	1	1
2		SP1655439	Kit, Hardware, Boom Actuator	1	1
3		SP60121882-70 16	Bushing, Plastic, for Linak LA34 Actuator (Pkg. of 2)	2	1

Actuator for Electrical Leg Spread ISA XPLUS



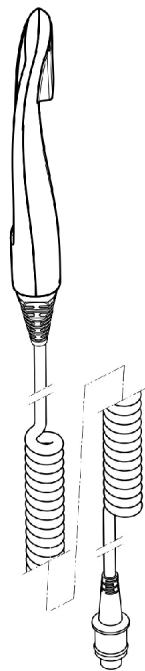
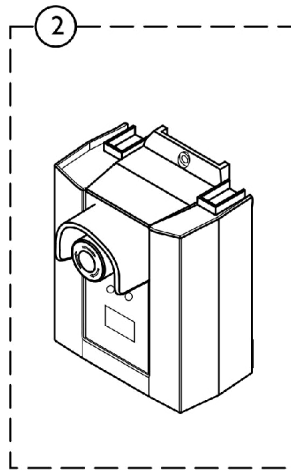
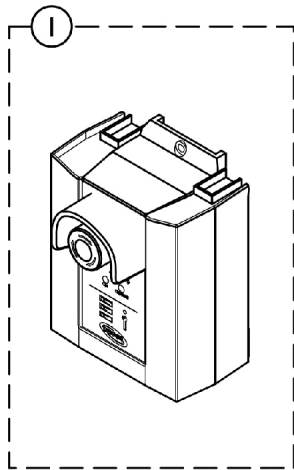
ISPS1655237

SPT_099A

Actuator for Electrical Leg Spread ISA XPLUS

Item Number	Note	Part Number	Description	Quantity Per	
				Package	Assembly
1		SP1651231	Kit, Hardware, Actuator to Base Connection	1	1
2		SP1660539	Kit, Hardware, Actuator to Leg Connection	1	1
3		SP1651233	Kit, Leg Spread Actuator Cover - Left	1	1
4		SP1651234	Kit, Leg Spread Actuator Cover - Right	1	1
5		SP60121915	Actuator, LA12, Jack, Leg Spread (Pair)	2	1
6		SP60121879-90 05	Bushing, Plastic, Linak LA12 Actuator (Pkg. of 2)	2	1

Control Units and Pendant Hand Controls



!SPS1650830
!SPS1650831

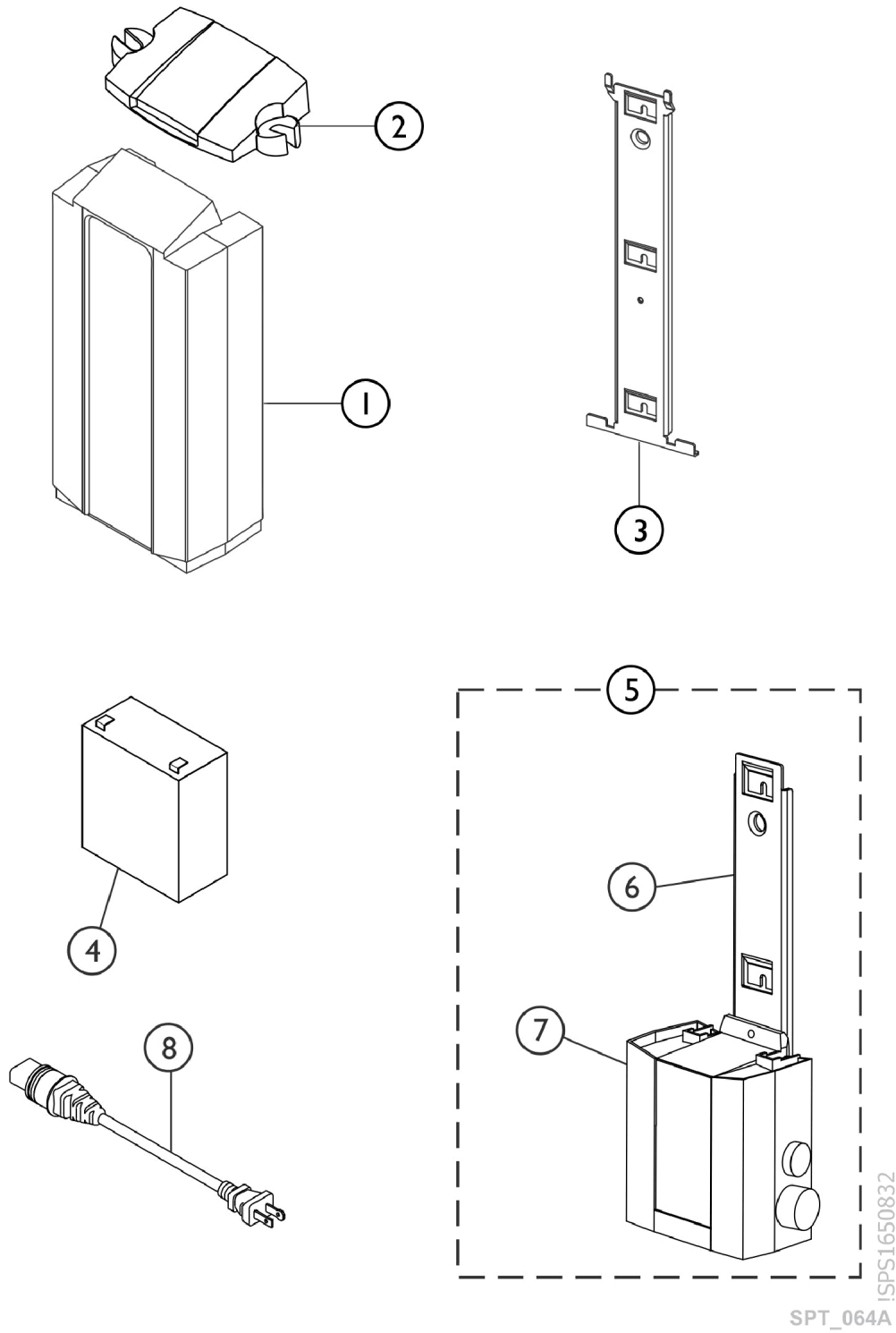
SPT_062A

Control Units and Pendant Hand Controls

Item Number	Note	Part Number	Description	Quantity Per	
				Package	Assembly
1	A	SP1664179	Control Unit, 1 Channel CBJ2, Manual Leg Spread (350 Lbs.)	1	1
2	B	SP1664180	Control Unit, 2 Channel CBJ-Care, Electrical Leg Spread (450 Lbs.)	1	1
3	A	SP1574990	Pendant, Hand Control, Up/Down Button, Detach Battery	1	1
4	B,C	SP60121104	Pendant, Hand Control, Up/Down/Leg Buttons w/ Magnet & Battery Indicator	1	1

NOTE: A - Used for ISA COMPACT
 B - Used for ISA XPLUS
 C - Pendant with Battery Indicator is only available as a service part option for ISA XPLUS.

Electrical Accessories and Hardware



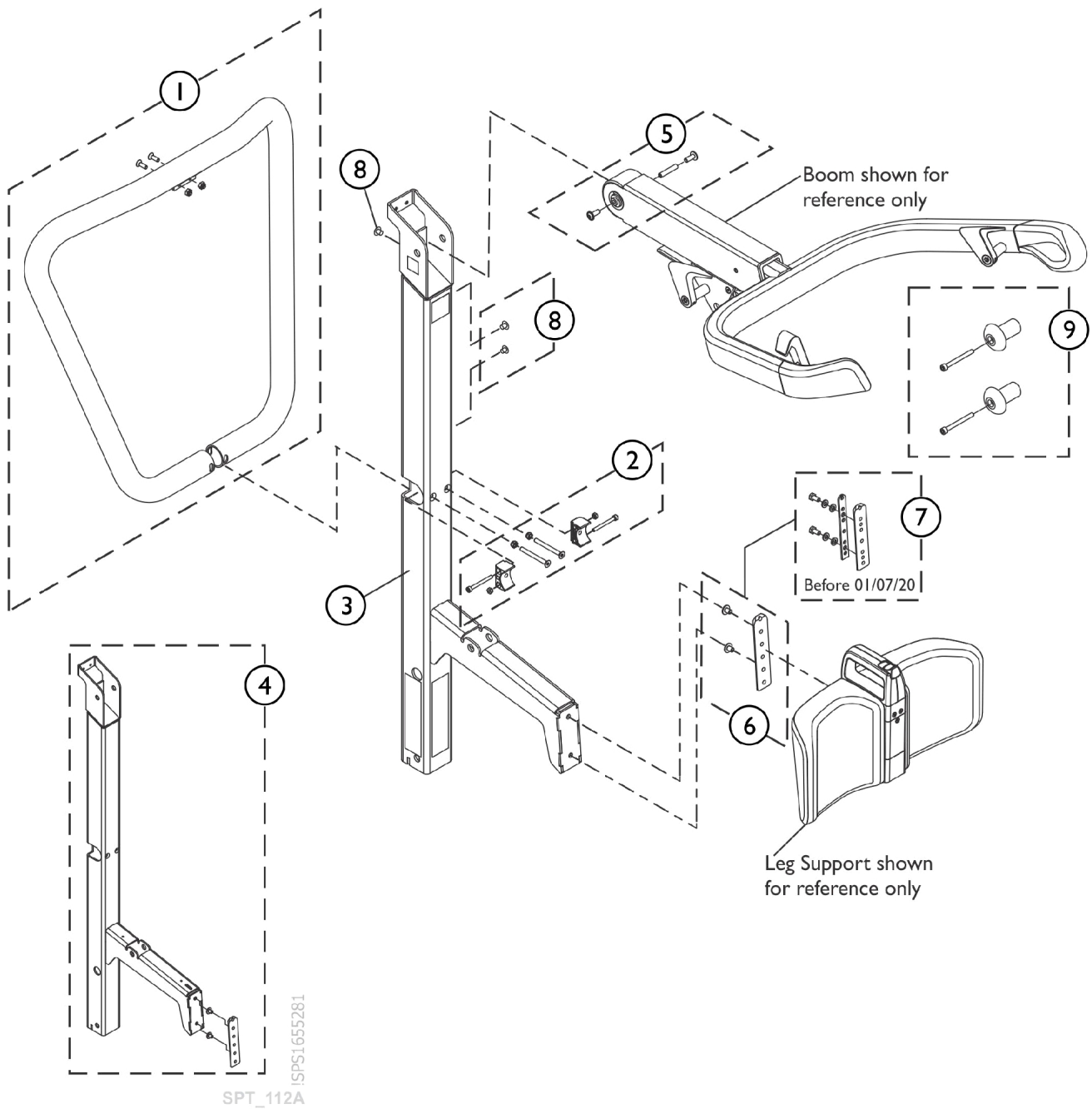
Electrical Accessories and Hardware

Item Number	Note	Part Number	Description	Quantity Per	
				Package	Assembly
1		SP1514573-703 5	Battery, CBJ Control Units (24VDC/2.9Ah)	1	1
2		SP1523789-703 5	Cover, Battery	1	1
4		SP1420622	Battery 24VDC/2,9Ah (1 piece)	1	1
5	A	SP1651491	Kit, Wall Charger for Detachable Battery	1	1
6		1078306	Bracket, Wall Mount Charger	1	1
7		1152391	Charger, Wall	1	1
8		1079133	Cord, Power, USA	1	1

NOTE: A - Kit includes items 6 and 7.

Item #1 Lithium Battery currently not available. Item #3 Control Unit Bracket for CBJ1/ CBJ2 is currently not available.

Mast

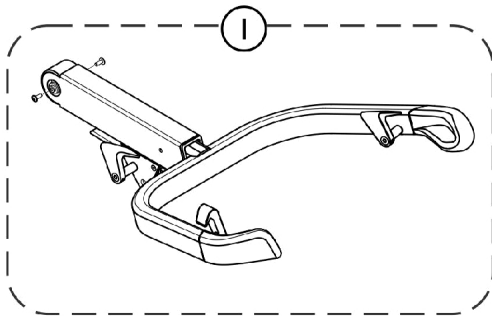


Mast

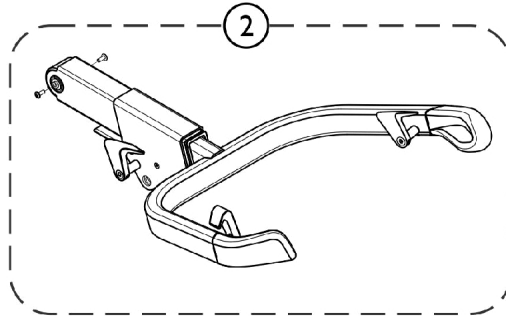
Item Number	Note	Part Number	Description	Quantity Per	
				Package	Assembly
1	A	SP1649667	Push Bar, ISA	1	1
2		SP1655733	Kit, Hardware, Push Bar Lower	1	1
3	B	SP1649689	Mast, ISA	1	1
4	C	SP1670069	Mast, ISA, old	1	1
5		SP1655734	Kit, Hardware, Mast and Boom Connection	1	1
6	D	SP1663112	Kit, Hardware, Mast and Leg Support Connection	1	1
7	E	SP1655735	Kit, Hardware, Mast and Leg Support Connection	1	1
8		SP1654968	Cover, Master Hole (Pkg. of 3)	3	1
9		SP1655744	Kit, Cable Management	1	1

NOTE: A - Includes Push Bar and Upper Push Bar Hardware
 B - Mast used after 08/11/21. ISA models manufactured before 08/12/21 order item #4 as a replacement.
 C - Mast used before 08/12/21
 D - Hardware used after 01/06/20
 E - Hardware used before 01/07/20

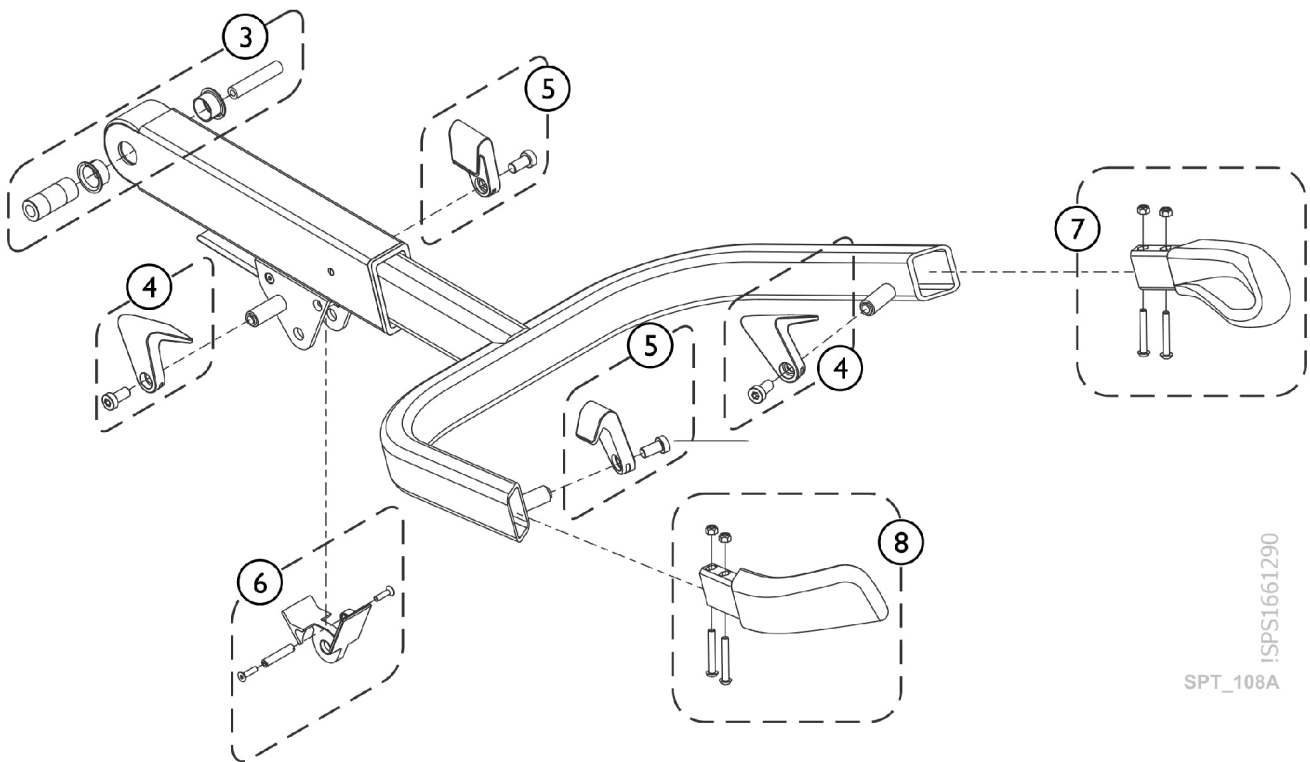
Boom and Lifting Arm Assembly



**Boom and Lifting Arm Assembly
ISA COMPACT**



**Boom and Lifting Arm Assembly
ISA XPLUS**



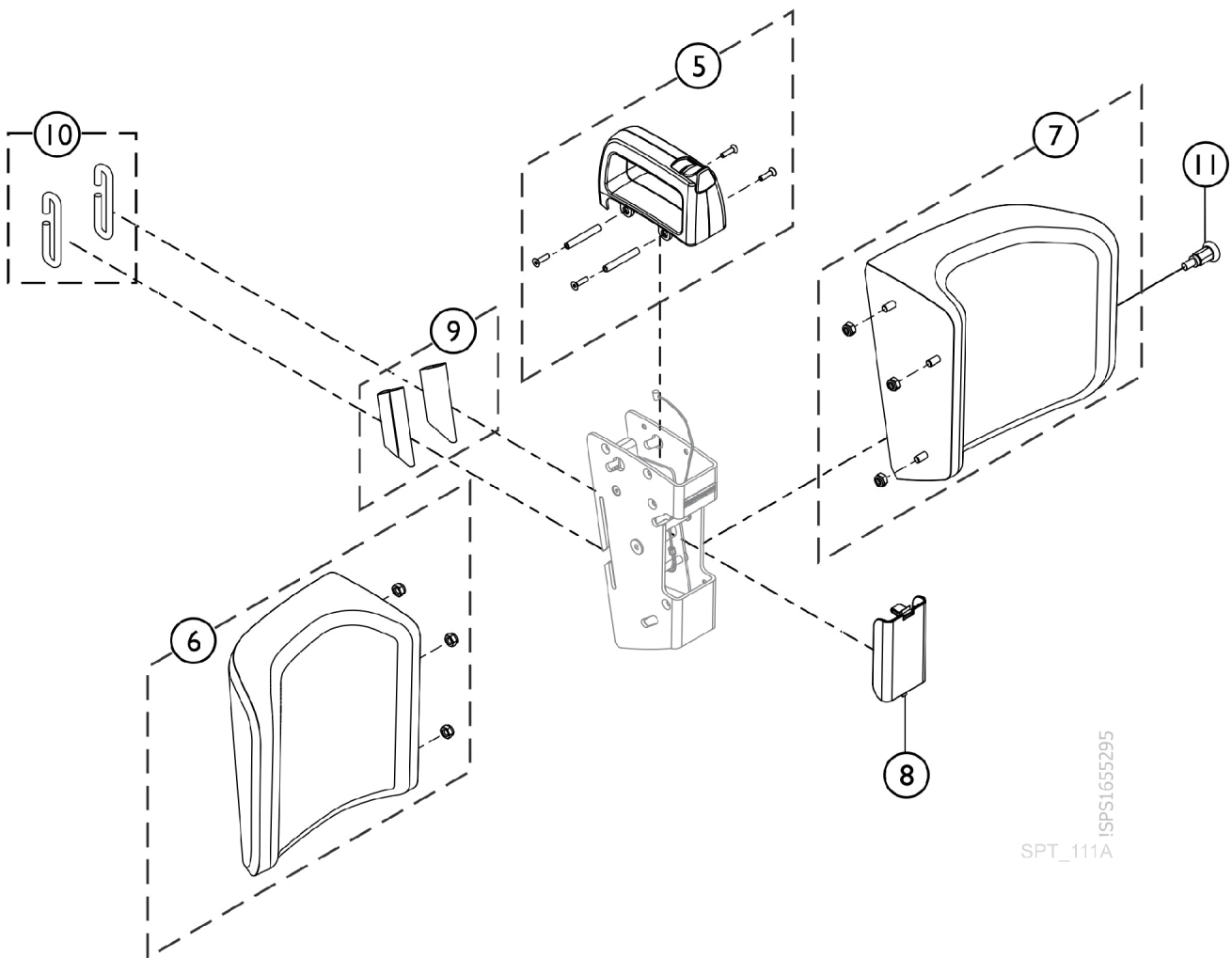
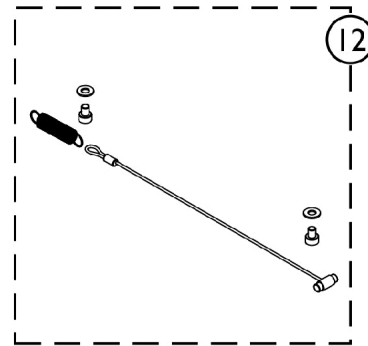
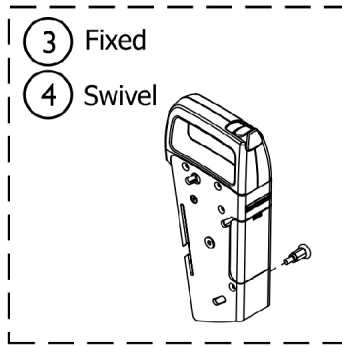
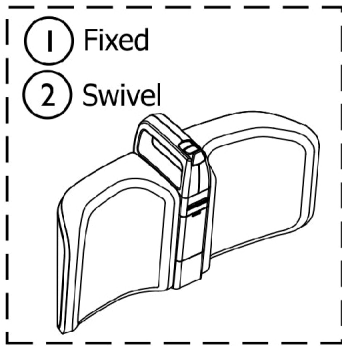
iSPS1661290

SPT_108A

Boom and Lifting Arm Assembly

Item Number	Note	Part Number	Description	Quantity Per	
				Package	Assembly
1		SP1664181	Boom and Lifting Arm Assembly, ISA COMPACT	1	1
2		SP1664182	Boom and Lifting Arm Assembly, ISA XPLUS	1	1
3		SP1655746	Kit, Boom Articulation	1	1
4		SP1655764	Kit, Hook - Right	1	1
5		SP1655763	Kit, Hook - Left	1	1
6		SP1655765	Kit, Anti-Pinching Protection	1	1
7		SP1655800	Kit, Hand Grip - Left	1	1
8		SP1655801	Kit, Hand Grip - Right	1	1

Leg Support



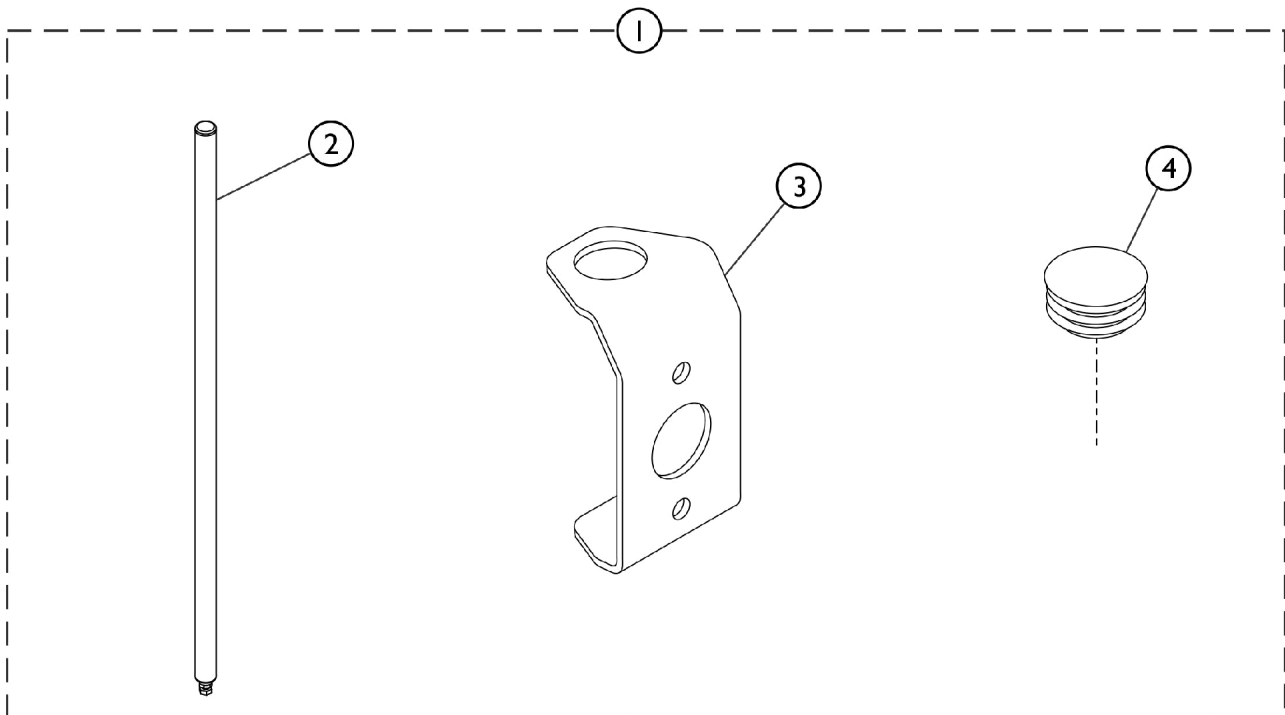
ISPS1655295
SPT_111A

Leg Support

Item Number	Note	Part Number	Description	Quantity Per	
				Package	Assembly
3		SP1665205	Kit, Leg Support w/ Handle, Fixed	1	1
4		SP1665913	Kit, Leg Support w/ Handle, Swivel	1	1
5		SP1666039	Kit, Release Button Handle	1	1
6		SP1655804	Kit, Shin Cushion - Left	1	1
7		SP1655805	Kit, Shin Cushion - Right	1	1
8		SP1655809	Kit, Hardware, Cover Plate	1	1
9		SP1656413	Connector, Leg Band (Pkg. of 2)	2	1
10		SP1656414	Clip, Leg Band (Pkg. of 2)	2	1
11		SP1513591	Plunger	1	1
12		SP60121114	Kit, Leg Support Stopper	1	1

Item number #1 Fixed Legrest Support Assembly Complete and #2 Swiveling Legrest Support Assembly Complete is Non-Saleable.

Lever Assembly for Leg Spread ISA COMPACT



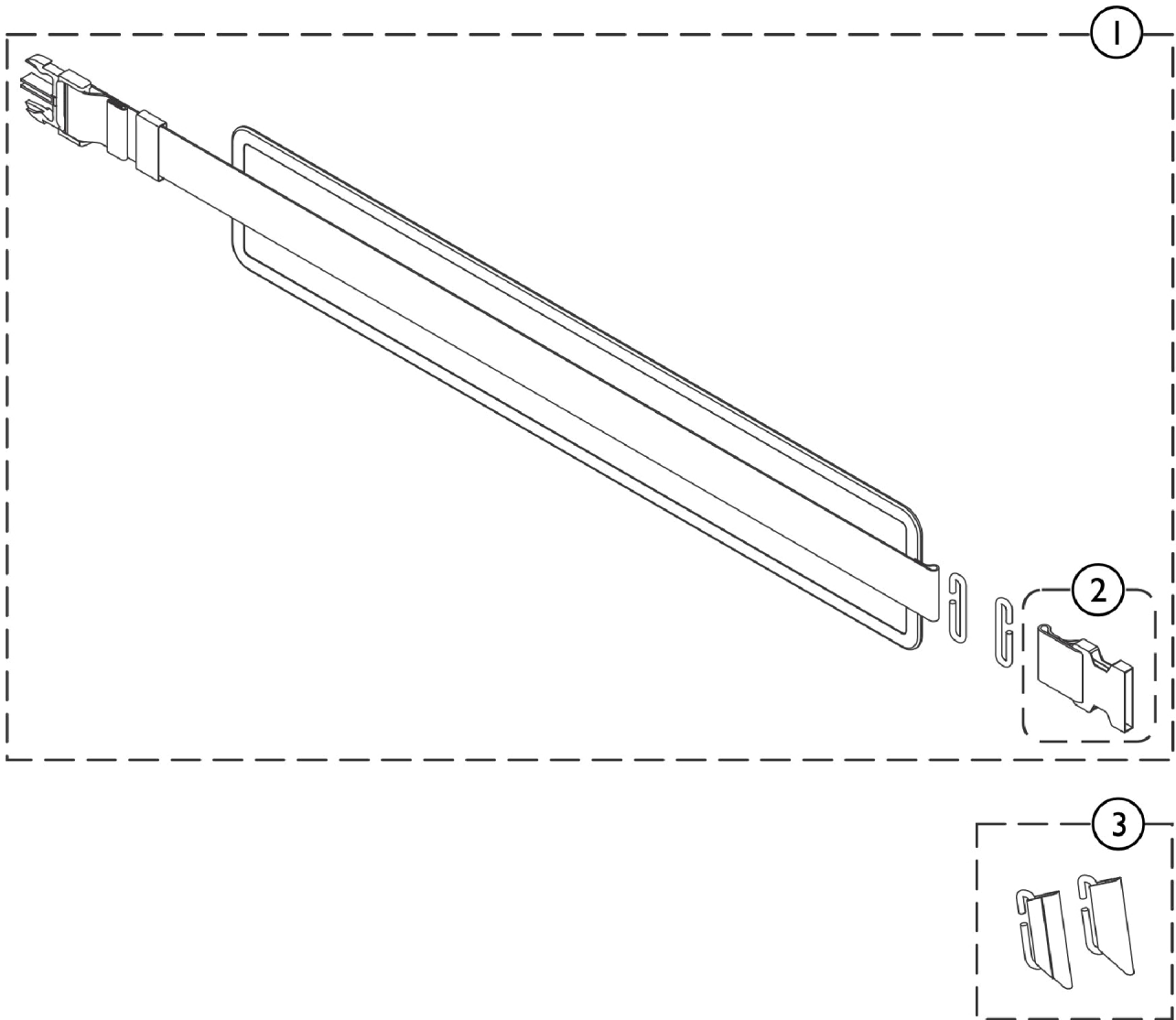
ISPS1655233
SPT_095A

Lever Assembly for Leg Spread ISA COMPACT

Item Number	Note	Part Number	Description	Quantity Per	
				Package	Assembly
1	A	AP1651334-701 6	Lever Assembly for Manual Leg Spread	1	1
2		SP1654296	Lever, Manual Leg Spread	1	1
3		SP1645498	Plate, Leg Spread Lever	1	1
4		SP1449580	Plug, Plastic, Leg Spread Lever	1	1

NOTE: A - Includes items 2-4

Leg Band



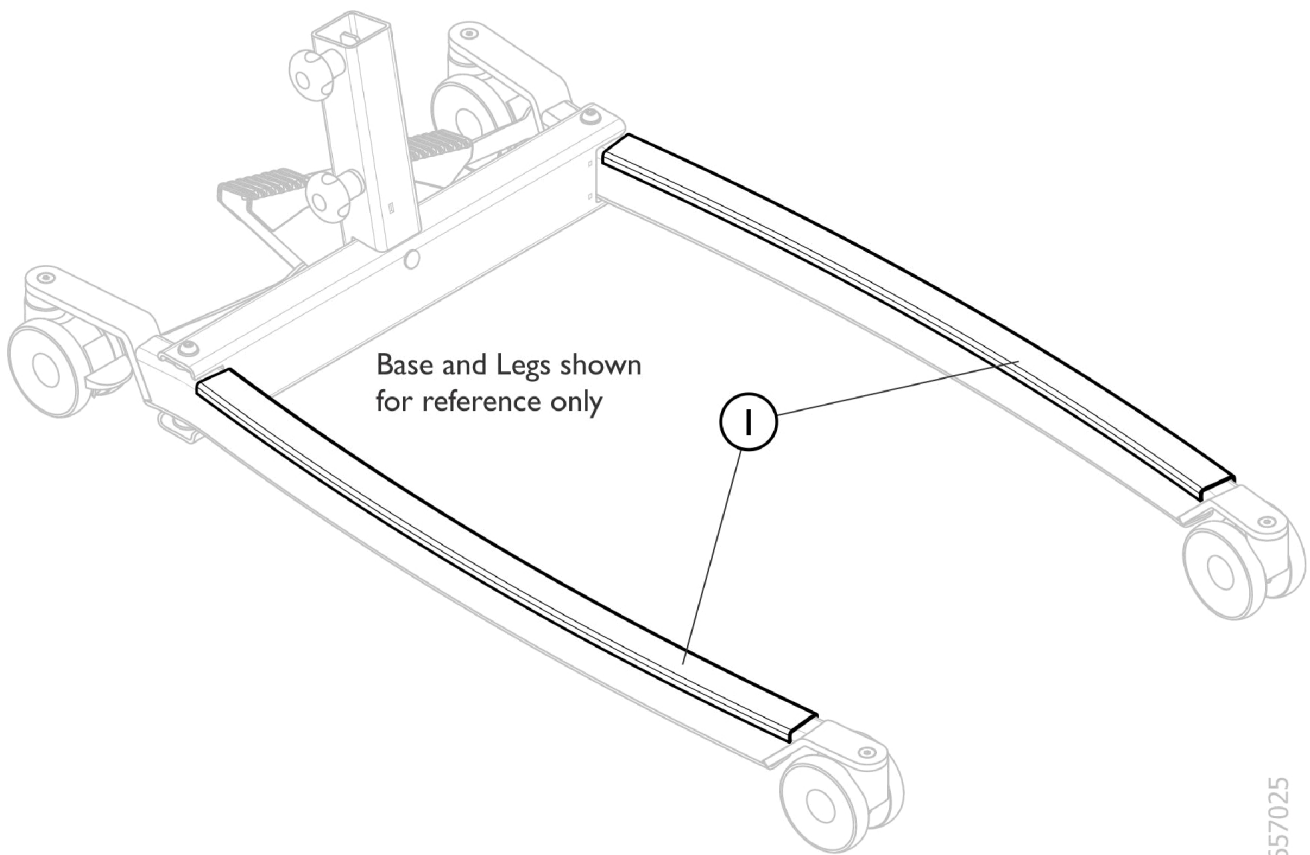
ISPS1655234

SPT_096A

Leg Band

Item Number	Note	Part Number	Description	Quantity Per	
				Package	Assembly
1		AP60121194	Leg Band Assembly w/ Clips, Black	1	1
2		SP1654052	Buckle, Leg Band Female	1	1
3		SP1656593	Kit, Leg Band Connector (Pkg. of 2)	2	1

Protective Covers for Legs



Base and Legs shown
for reference only

I

ISPS1657025

SPT_1047A

Protective Covers for Legs

Item Number	Note	Part Number	Description	Quantity Per	
				Package	Assembly
1	A	AP60121193	Cover, Leg Protection (Pkg. of 2)	2	1
2	B	AP1648551	Cover, Leg Protection (Pkg. of 2)	2	1
NOTE: A - For ISA COMPACT B - For ISA XPLUS					

Invacare Corporation

www.invacare.com



Yes, you can.

One Invacare Way
Elyria, Oh USA
44036-2125
800-333-6900

Technical Support
800-832-4707
Customer Service
800-333-6900

Literature Orders
800-333-6900

© 2022 Invacare Corporation. All rights reserved. Republication, duplication or modification in whole or in part is prohibited without prior written permission from Invacare. Trademarks are identified by TM and ©. All trademarks are owned by or licensed to Invacare Corporation or its subsidiaries unless otherwise noted. (Revised 06/01/22)

Form No. 20-096