

**Invacare® Birdie® EVO XPLUS
Mobile Floor Lift**



Yes, you can.

Parts Catalog Usage Guide

The information contained in this document is subject to change without notice. This catalog contains service parts for Form No. 20-095. If you have any questions regarding this catalog, please contact one of our Customer Service Representatives.

For Customer Service Support Call:

1-800-333-6900

For Faxed In Orders Call:

1-800-678-4682 or

1-440-366-0709

For Technical Service Call:

1-800-832-4707

Literature Can Be Found at:

www.invacare.com or

1-800-828-6272

SYMBOL DEFINITION

Throughout this catalog you will notice letters to draw your attention to specific footnotes which are located at the bottom of the page or below specified charts.

Examples:

A,B,C etc. = Special Comments

NOTE: = General information pertaining to that specific page

NLA = No Longer Available

HARDWARE MEASUREMENTS

The measurements for the hardware will be listed as follows:

Screws, Bolts Diameter X Thread Count/Pitch X Length

Washers Inside Diameter X Outside Diameter X Thickness

Spacers Inside Diameter X Outside Diameter X Length

For your convenience, we have supplied an area for you to list your Invacare Representatives.

Name	Phone Numbers

© 2022 Invacare Corporation, Elyria, Ohio. Invacare, the Medallion Design and Yes, you can. are registered trademarks of the Invacare Corporation. Information is subject to change without notification.

TABLE of CONTENTS

Description	Page Number
Base and Legs - Base and Legs For Foldable Mast w/ Electrical Leg Spread	4
Base and Legs - Front Casters and Rear Casters w/ Brake	6
Electrical Parts - Actuator for Boom	8
Electrical Parts - Actuator for Electrical Leg Spread	10
Electrical Parts - Control Units and Pendant Hand Controls	12
Electrical Parts - Electrical Accessories and Hardware	14
Literature	3
Mast and Boom Assembly, Foldable	16
Spareparts For Accessories - Scale Attachment Hardware	24
Spreader Bar Damper Slow'R	18
Spreader Bar Hardware	22
Spreader Bars - Spreader Bar 4 Points	20

Literature

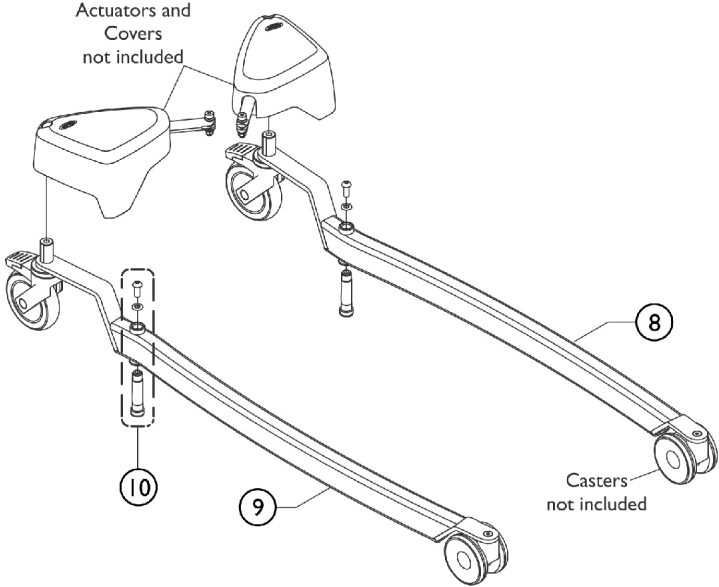
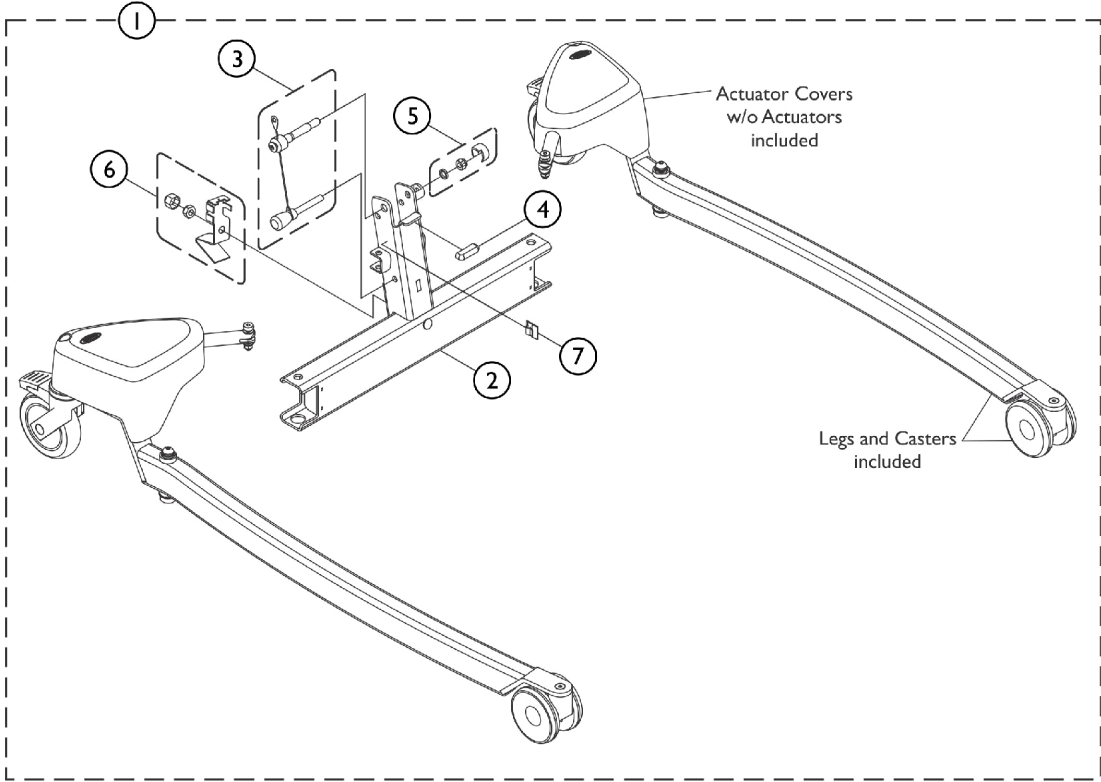
User Manual

Invacare® Birdie® EVO XPLUS Mobile Floor Lift - 60127406*

* When adjusting or replacing parts, please refer to your User Manual for assistance. The User Manual can be found at www.invacare.com/homecare under Literature Search.

SPT_109C

Base and Legs For Foldable Mast w/ Electrical Leg Spread



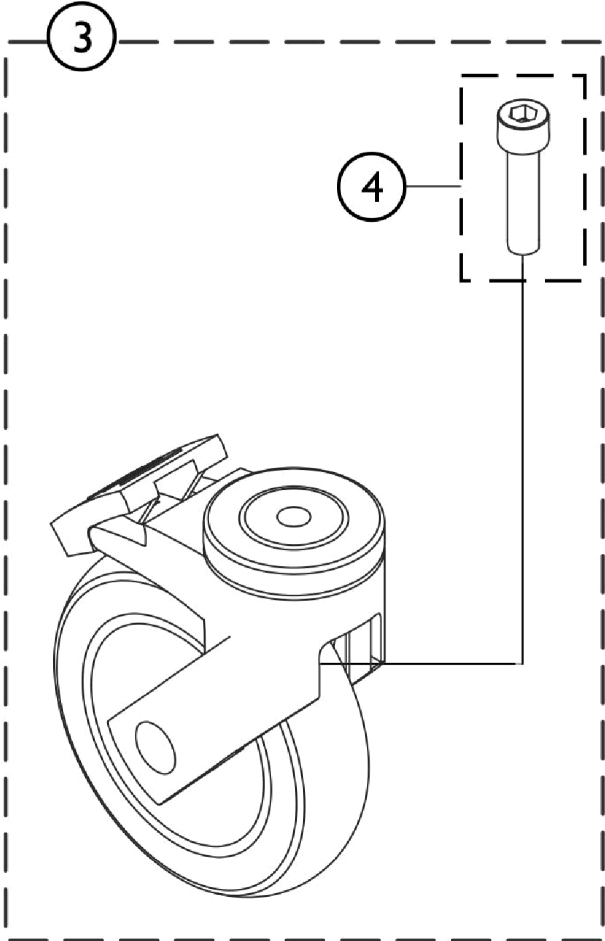
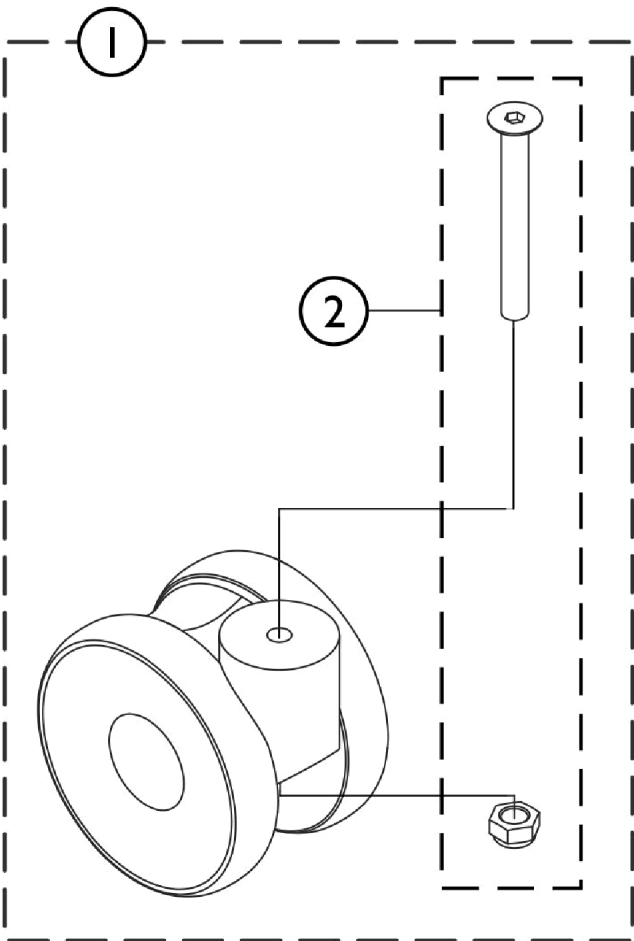
!SP1650821 ~ 1645846
 !SPS1650823 ~ 1645846
 SPT_054A

Base and Legs For Foldable Mast w/ Electrical Leg Spread

Item Number	Note	Part Number	Description	Quantity Per	
				Package	Assembly
3		SP1646694	Kit, Handle Hardware, Foldable Mast	1	1
4		SP1545308-701 2	Insert, Padded Plastic	1	1
5		SP1650834	Kit, Plastic Cover, Foldable Mast	1	1
6		SP1651198	Kit, Base Hardware	1	1
7		SP1426680	Clips, Cable (Pkg. of 2)	2	1
8		SP1651199	Leg, Birdie EVO XPLUS/ ISA XPLUS - Left	1	1
9		SP1651200	Leg, Birdie EVO XPLUS/ ISA XPLUS - Right	1	1
10		SP1650839	Kit, Hardware, Bushing, Screw and Washer	1	1

Item #1 Base and Legs Assembly w/ Casters and Item #2 Foldable Mast Base is Non-Saleable

Front Casters and Rear Casters w/ Brake



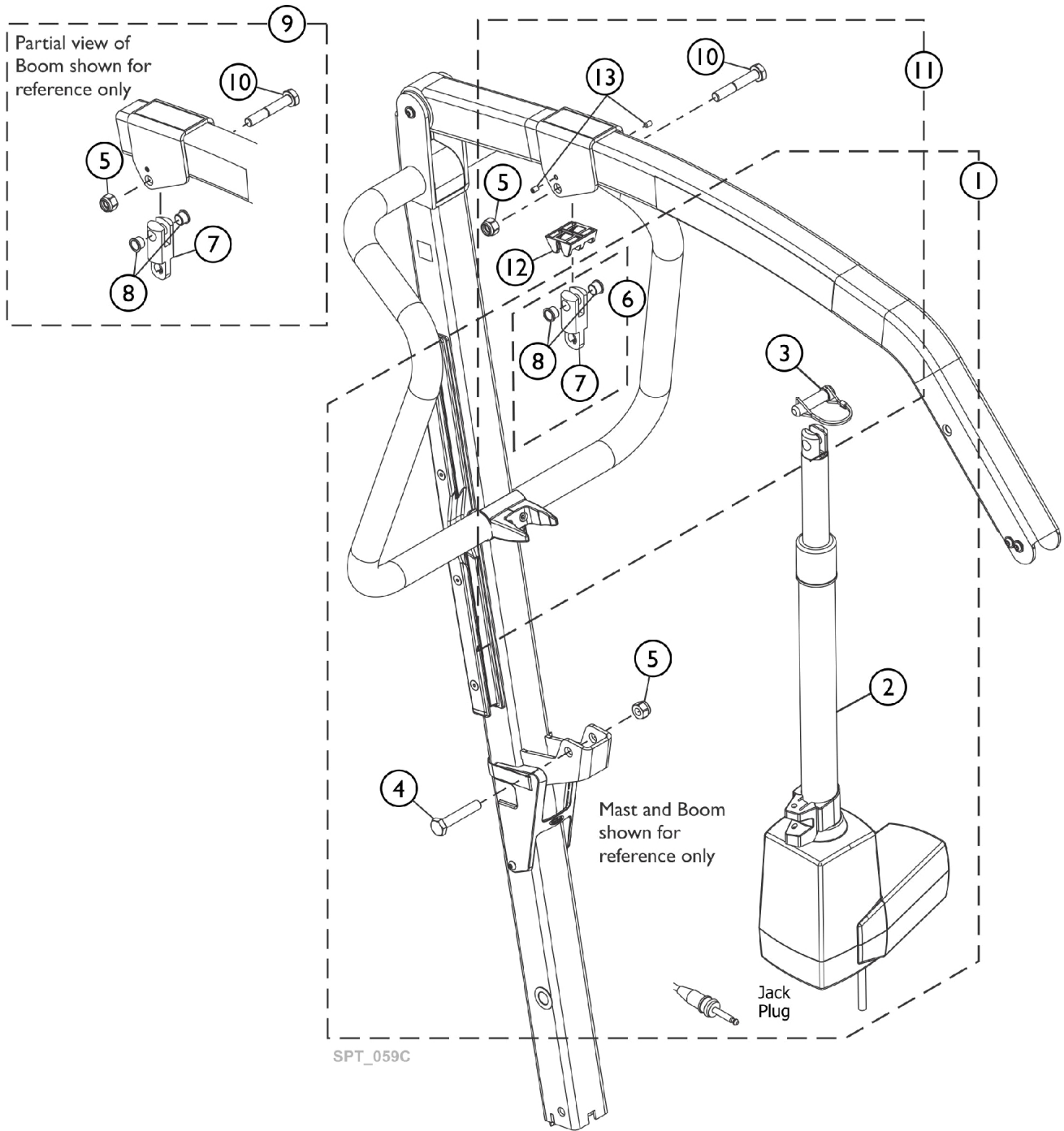
ISPS1650826

SPT_058A

Front Casters and Rear Casters w/ Brake

Item Number	Note	Part Number	Description	Quantity Per	
				Package	Assembly
1		SP1650846	Castor w/o Brake, Front w/ Hardware 100mm (4")	1	2
2		SP1650848	Hardware, Castor w/o Brake, Front 100mm (4")	1	2
3		SP1660537	Kit, Caster w/ Brake, Rear w/ Hardware 125mm (5")	1	2
4		SP1660538	Screw for Rear Caster 125mm (5") (Pkg. of 2)	2	1

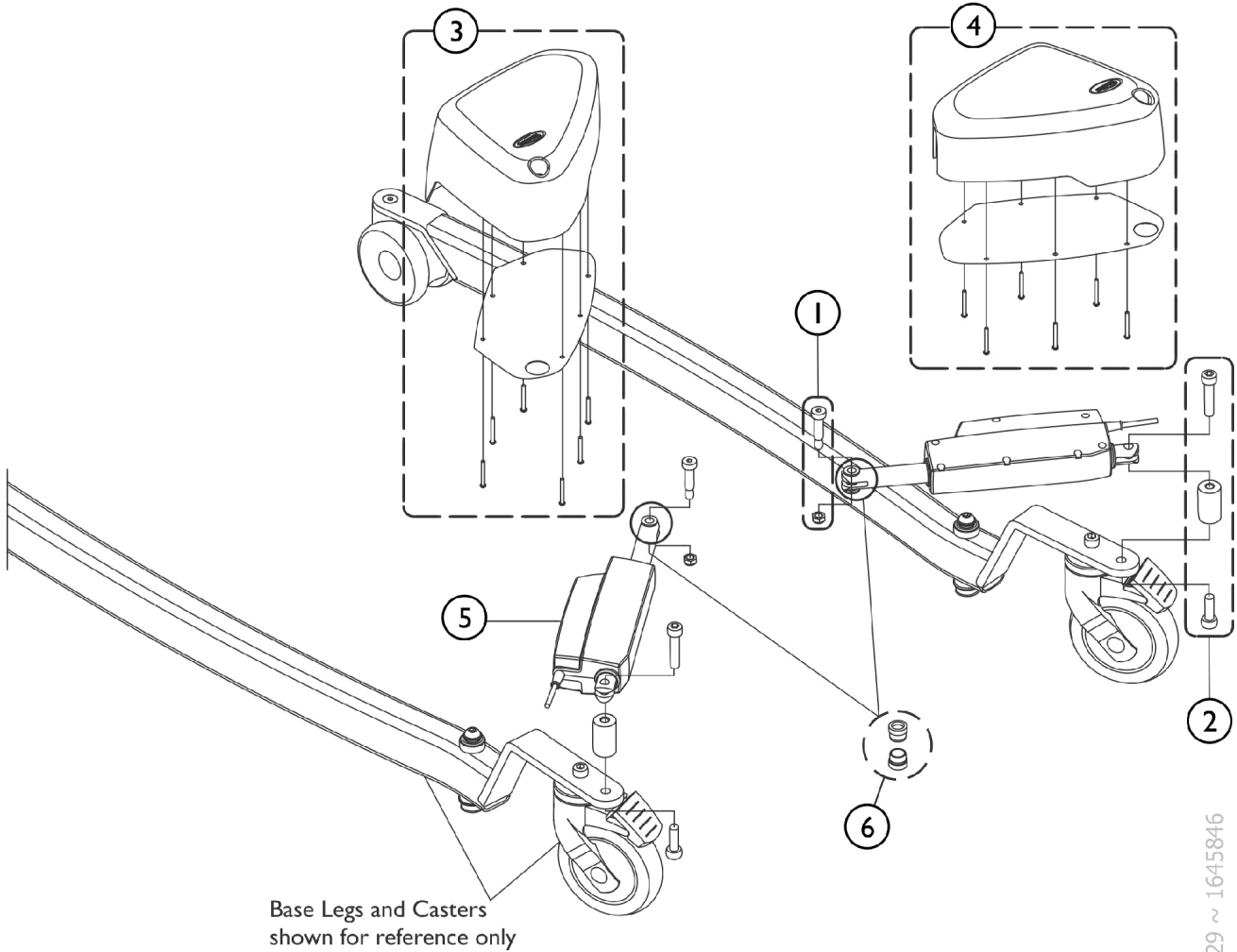
Actuator for Boom



Actuator for Boom

Item Number	Note	Part Number	Description	Quantity Per	
				Package	Assembly
1	A	SP1671571	Kit, Boom Actuator w/ Hardware, LA34 Fast Motor w/ Jack Plug, BEVO XPLUS, US	1	1
6	B	SP1671573	Extension w/ Bushings, LA34, US	1	1
9	C	SP1671574	Kit, LA34 Extension, US	1	1
11	D	SP1671572	Kit, Boom Actuator Mounting Hardware, BEVO XPLUS, US	1	1
	E	SP1656588	Plastic, Anti-Pinching w/ Set Screws (M5 x 8)	1	1
3		SP60129718	Locking Pin, Birdie XPLUS, US	1	1
NOTE: A - Includes items 2-5, 7 and 8. B - Includes items 7 and 8. C - Includes items 5, 7, 8 and 10. D - Includes items 3, 5, 7, 8, 10, 12 and 13. E - Includes items 12 and 13.					

Actuator for Electrical Leg Spread



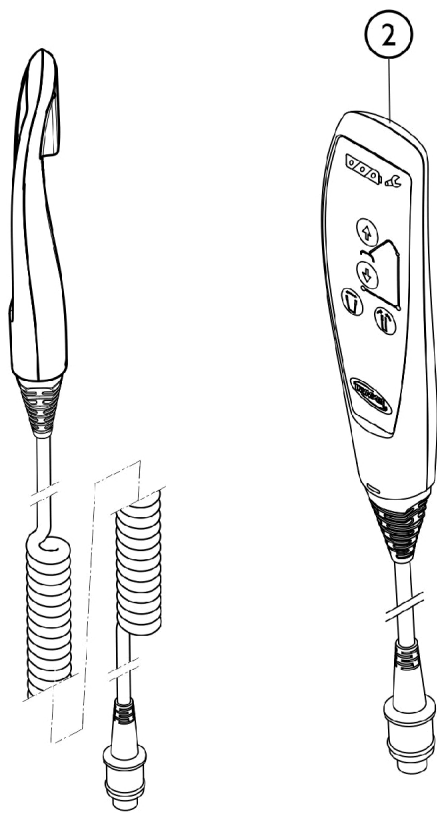
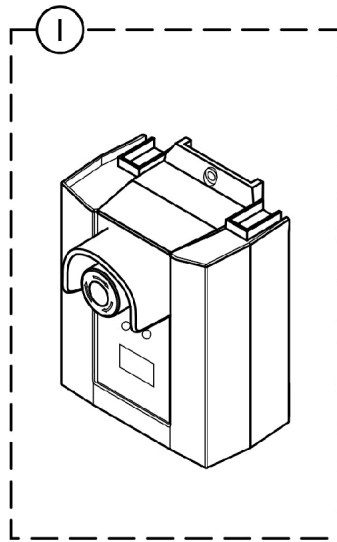
ISPS1650829 ~ 1645846

SPT_061A

Actuator for Electrical Leg Spread

Item Number	Note	Part Number	Description	Quantity Per	
				Package	Assembly
1		SP1651231	Kit, Hardware, Actuator to Base Connection	1	1
2		SP1660539	Kit, Hardware, Actuator to Leg Connection	1	1
3		SP1651233	Kit, Leg Spread Actuator Cover - Left	1	1
4		SP1651234	Kit, Leg Spread Actuator Cover - Right	1	1
5		SP1648539-900 5	Actuator, LA12 Leg Spread (Pair)	2	1
6		SP60121879-90 05	Bushing, Plastic, Linak LA12 Actuator (Pkg. of 2)	2	1

Control Units and Pendant Hand Controls



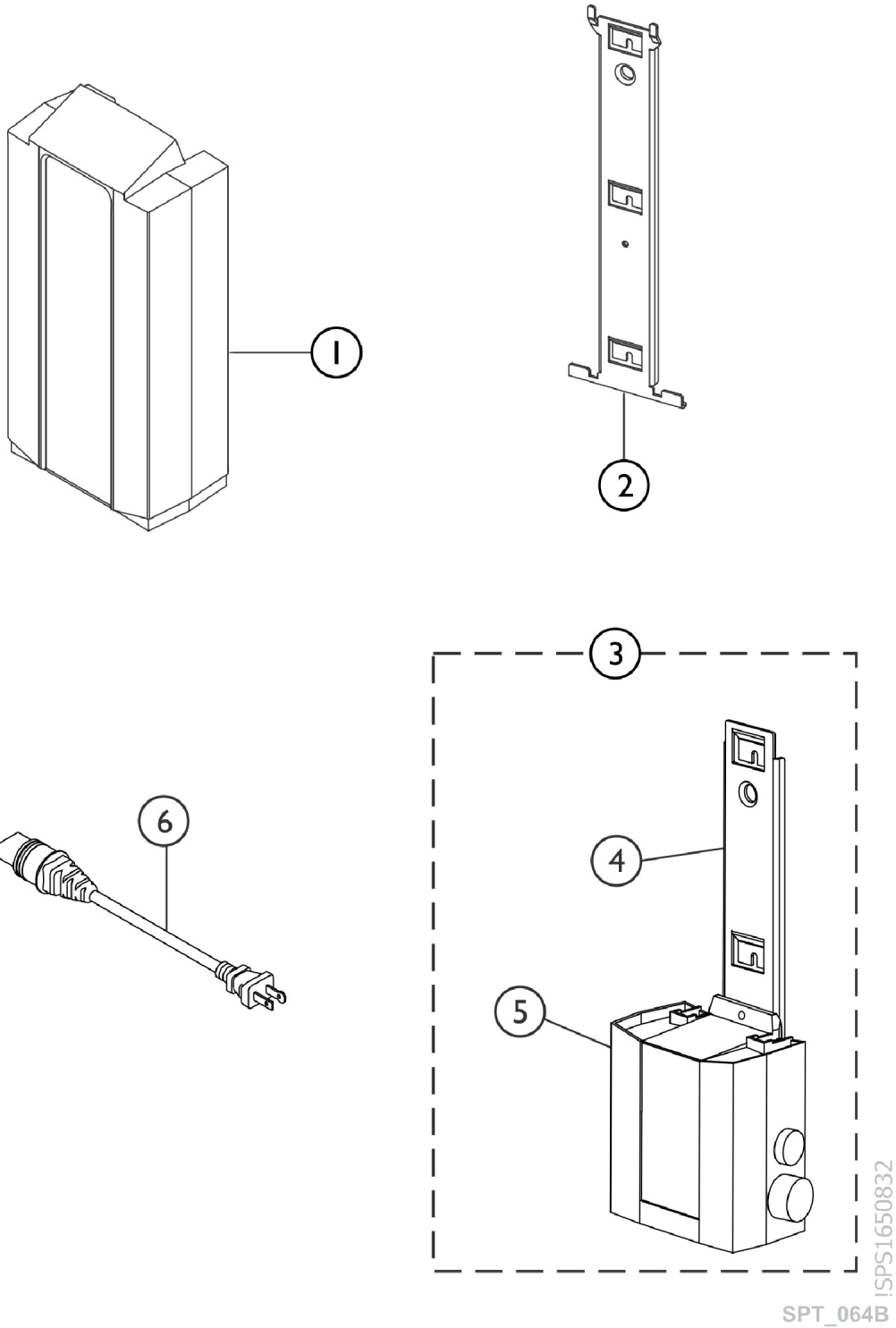
SPT_062C

Control Units and Pendant Hand Controls

Item Number	Note	Part Number	Description	Quantity Per	
				Package	Assembly
1		SP1664176	Control Unit, 2 Channels CBJ-Care, Electrical Leg (500 Lbs.)	1	1
2	A	SP60121104	Pendant, Hand Control, Up/Down/Leg Buttons w/ Magnet & Battery Indicator	1	1

NOTE: A - Pendant with Battery Indicator is only available as a service part option for Birdie EVO XPLUS

Electrical Accessories and Hardware



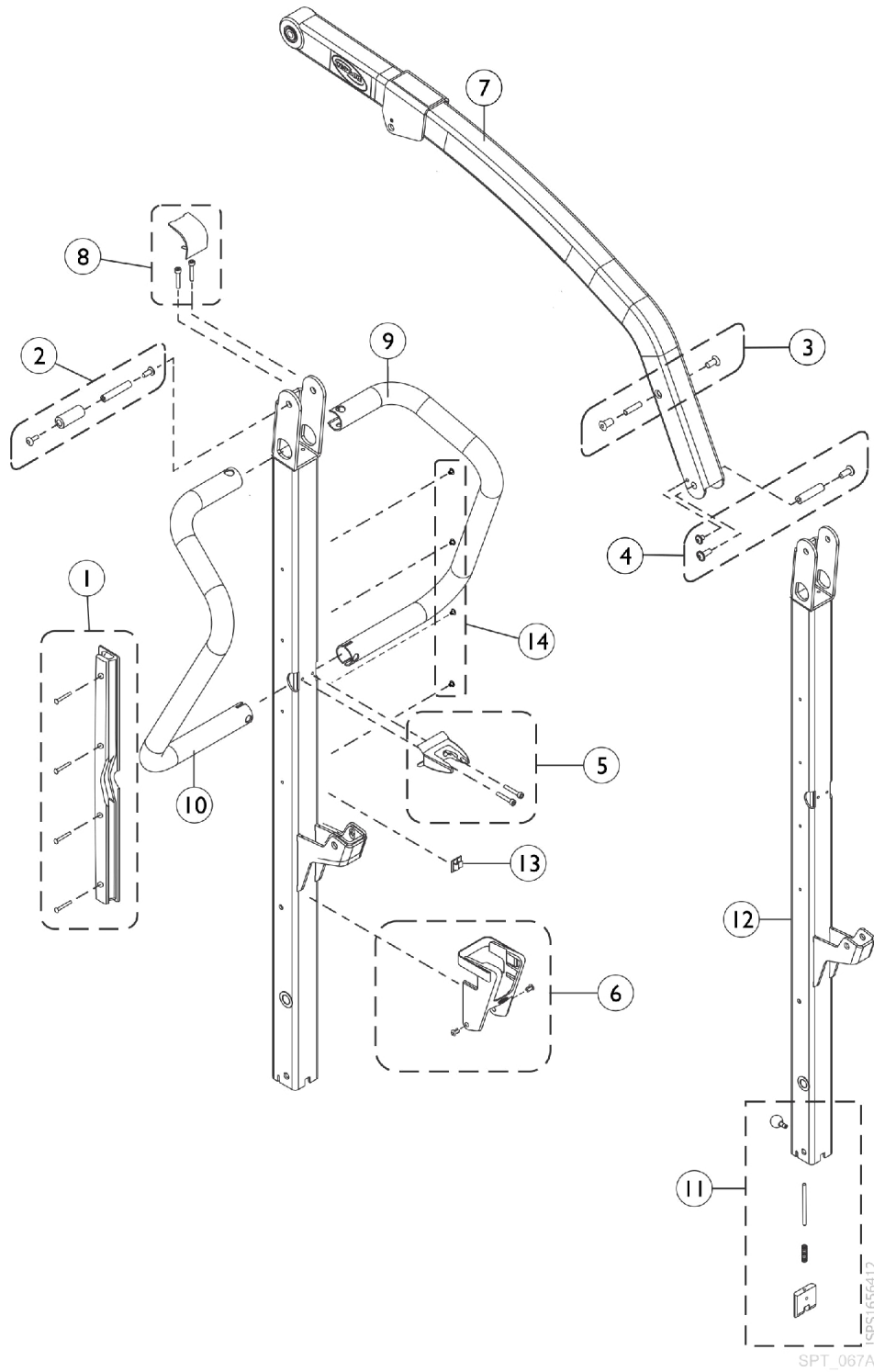
Electrical Accessories and Hardware

Item Number	Note	Part Number	Description	Quantity Per	
				Package	Assembly
1		SP1514573-703 5	Battery, CBJ Control Units (24VDC/2.9Ah)	1	1
3	A	SP1651491	Kit, Wall Charger for Detachable Battery	1	1
4		1078306	Bracket, Wall Mount Charger	1	1
5		1152391	Charger, Wall	1	1
6		1079133	Cord, Power, USA	1	1

NOTE: A - Kit includes items 4 and 5.

Item #1 Lithium Battery currently not available. Item #2 Control Unit Bracket for CBJ1/ CBJ2 is currently not available.

Mast and Boom Assembly, Foldable

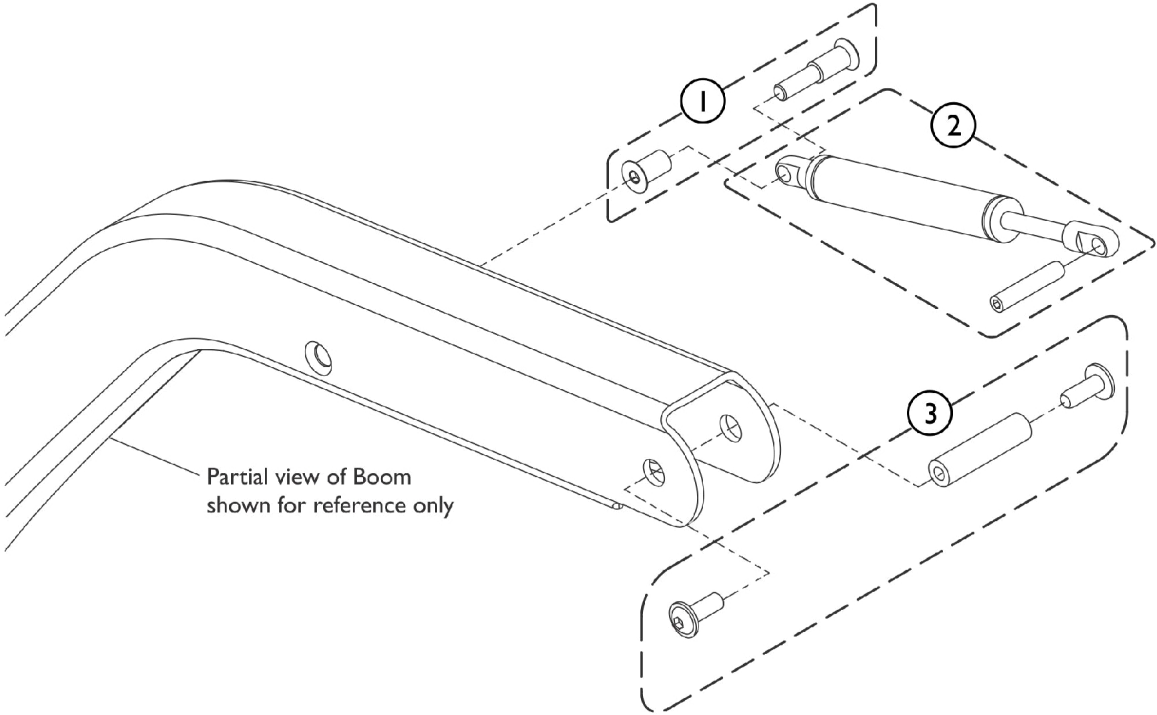


Mast and Boom Assembly, Foldable

Item Number	Note	Part Number	Description	Quantity Per	
				Package	Assembly
1		SP1651253	Kit, Cable Cover	1	1
2		SP1651254	Kit, Mast/Boom Articulation	1	1
3		SP1651255	Kit, Hardware, Damper	1	1
4		SP1651256	Kit, Spreader Bar Articulation	1	1
5		SP1651257	Kit, Actuator Holder, Birdie EVO XPLUS	1	1
6		SP1672804	Kit, Spreader Bar Holder	1	1
7		SP1671576	Boom, Birdie EVO XPLUS w/ Labels	1	1
8		SP1672805	Kit, Hardware, Push Bar	1	1
9		SP1651271	Push Bar - Left	1	1
10		SP1651272	Push Bar - Right	1	1
11		SP1651273	Kit, Locking, Foldable Mast	1	1
13		SP1426680	Clips, Cable (Pkg. of 2)	2	1
14		SP1654968-703 5	Plug (M5) (Pkg. of 4)	4	1

Item #12 Foldable Mast for Birdie EVO XPLUS is Non-Saleable

Spreader Bar Damper Slow'R

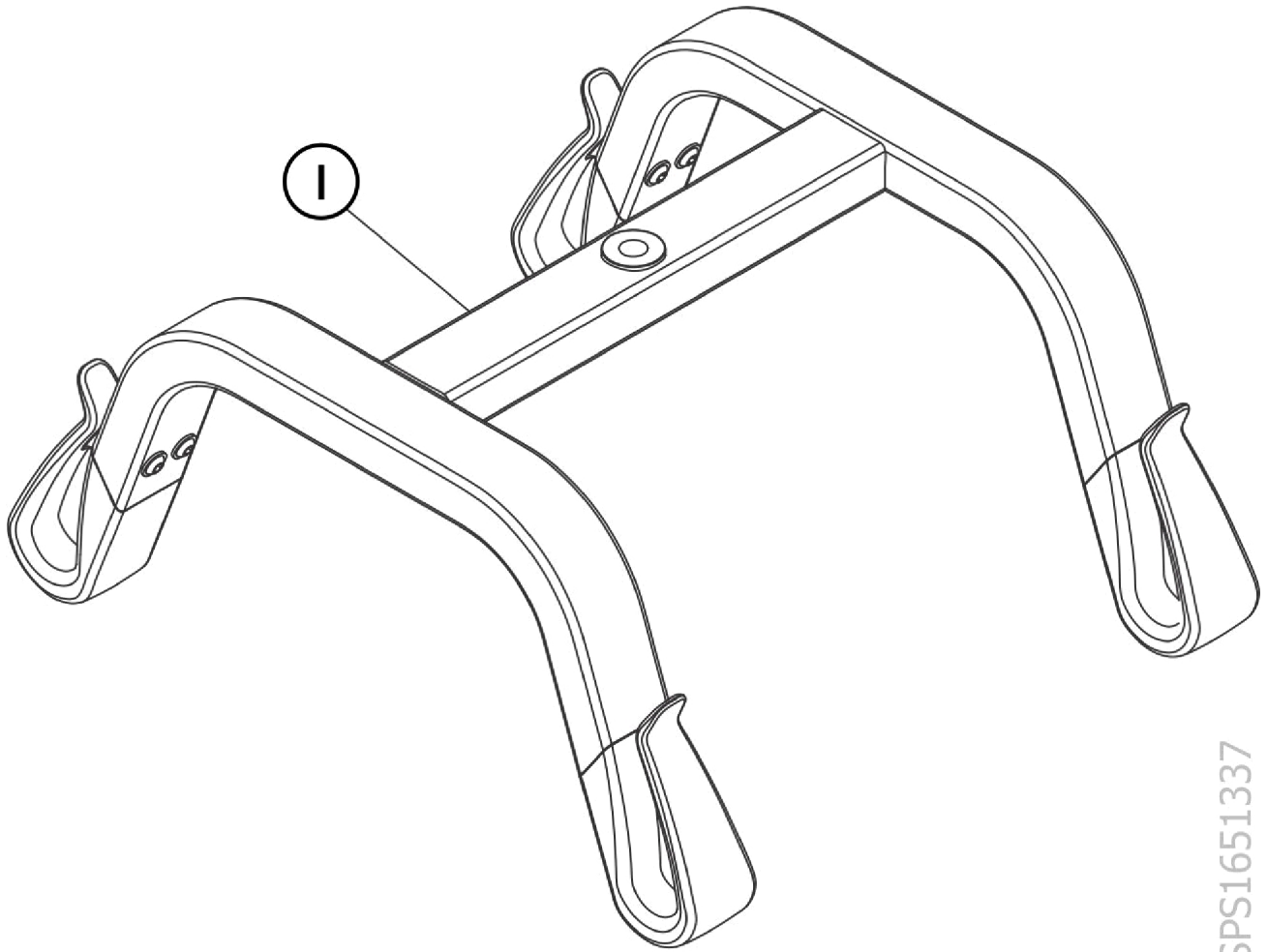


ISPS1651338
SPT_069A

Spreader Bar Damper Slow'R

Item Number	Note	Part Number	Description	Quantity Per	
				Package	Assembly
1		SP1651255	Kit, Hardware, Damper	1	1
2		SP1646419	Kit, Damper Slow'R	1	1
3		SP1651256	Kit, Spreader Bar Articulation	1	1

Spreader Bar 4 Points



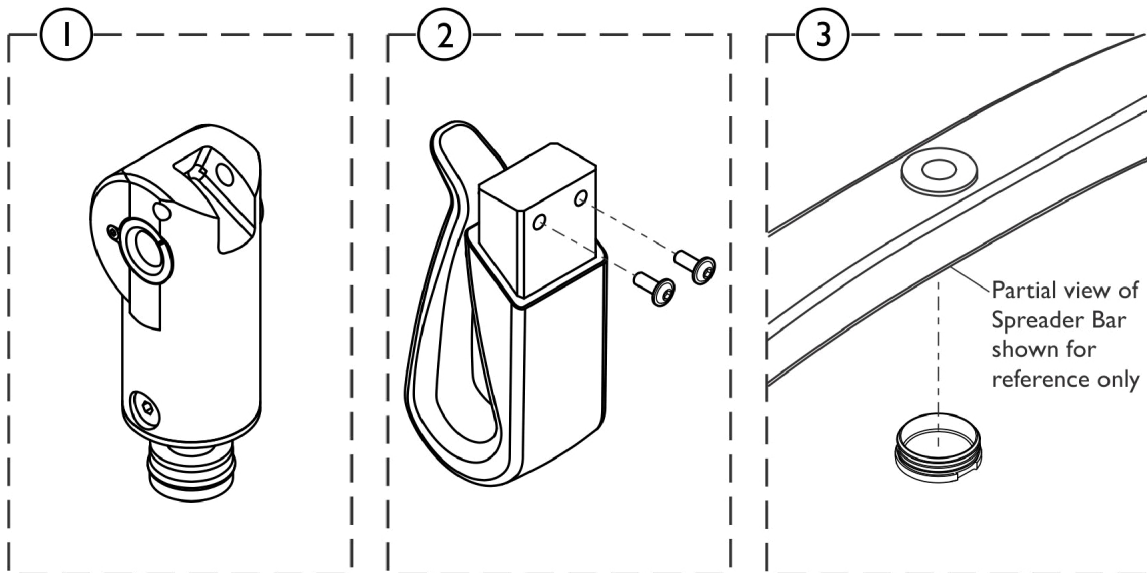
iSPS1651337

SPT_072A

Spreader Bar 4 Points

Item Number	Note	Part Number	Description	Quantity Per	
				Package	Assembly
1		SP60131606	Spreader Bar w/o Hardware (4pt 19-5/8")	1	1

Spreader Bar Hardware

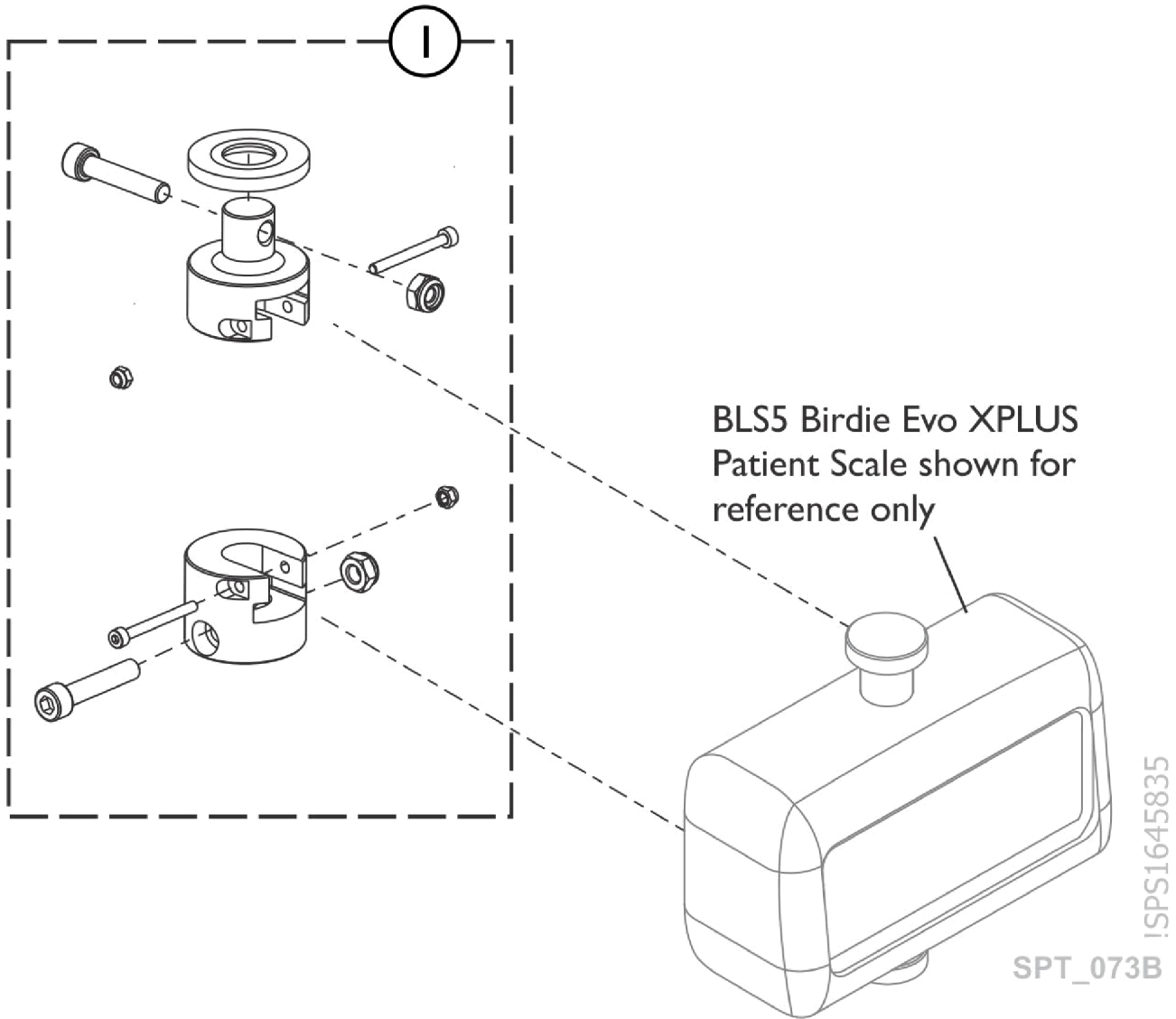


SPT_070B

Spreader Bar Hardware

Item Number	Note	Part Number	Description	Quantity Per	
				Package	Assembly
1		SP1645769	Kit, Connection, Fixed Spreader Bar	1	1
2		SP1645828	Kit, Hook, Spreader Bar	1	1
3		SP1645734	Cap, Plastic, Spreader Bar	1	1

Spareparts For Accessories - Scale Attachment Hardware



Spareparts For Accessories - Scale Attachment Hardware

Item Number	Note	Part Number	Description	Quantity Per	
				Package	Assembly
1		SP1645835	Kit, Scale Attachment Hardware, Fixed Mechanism, RS300	1	1

Invacare Corporation

www.invacare.com



Yes, you can.

One Invacare Way
Elyria, Oh USA
44036-2125
800-333-6900

Technical Support
800-832-4707
Customer Service
800-333-6900

Literature Orders
800-333-6900

© 2022 Invacare Corporation. All rights reserved. Republication, duplication or modification in whole or in part is prohibited without prior written permission from Invacare. Trademarks are identified by TM and ©. All trademarks are owned by or licensed to Invacare Corporation or its subsidiaries unless otherwise noted. (Revised 06/01/22)

Form No. 20-095