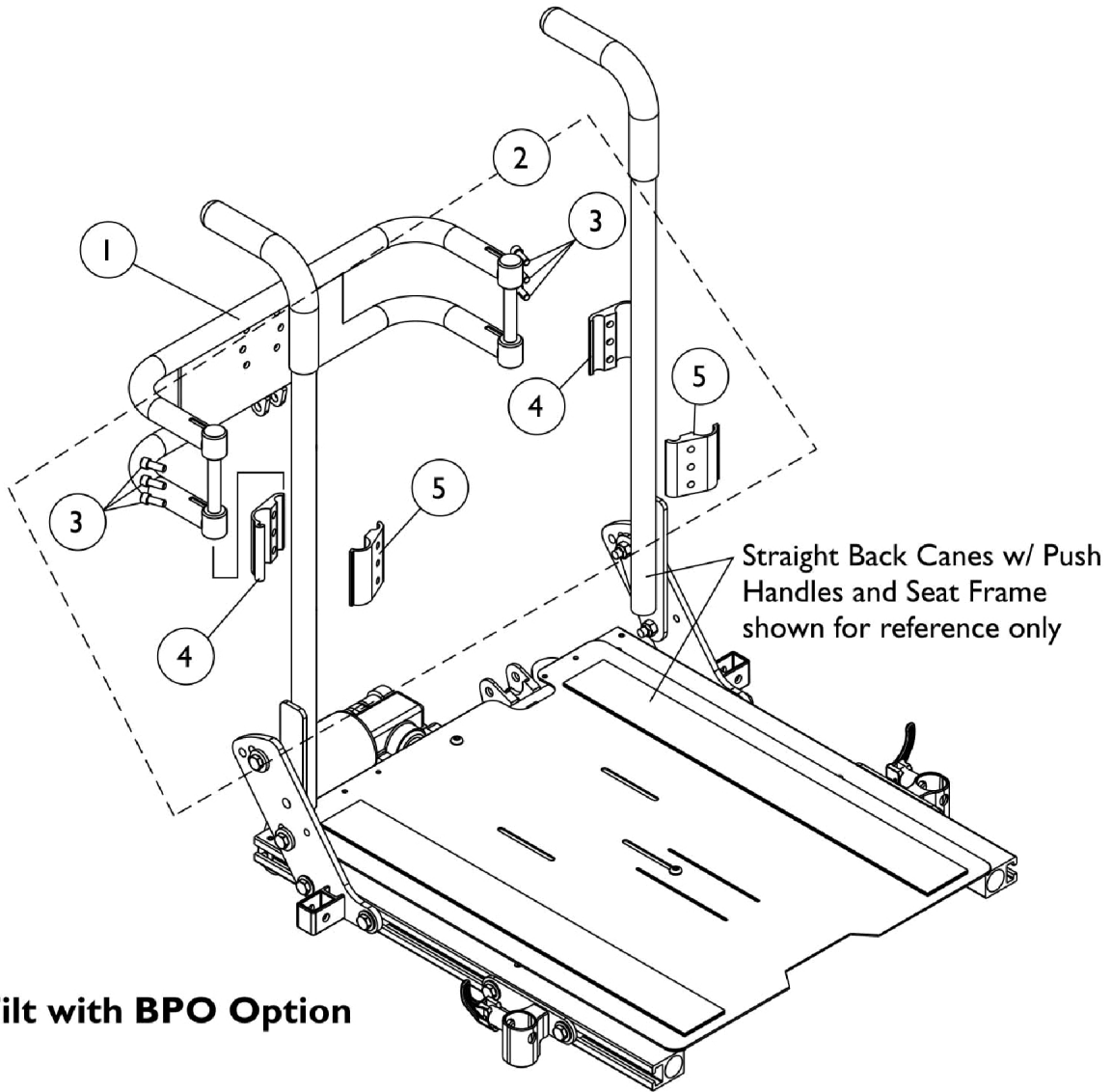


Spreader Bar Assembly, Double

For Tilt w/ BPO Option



Spreader Bar Assembly, Double For Tilt w/ BPO Option

Item Number	Note	Part Number	Description	Quantity Per	
				Package	Assembly
1		0013602	Bar, Push, Black (16" W)	1	1
1		0013702	Bar, Push, Black (17" W)	1	1
1		0013802	Bar, Push, Black (18" W)	1	1
1		0013902	Bar, Push, Black (19" W)	1	1
1		0014002	Bar, Push, Black (20" W)	1	1
2		1125761	Kit, Double Spreader Bar Mounting Hardware	1	1
3			Screw, Socket Head (1/4-20 x 5/8")	1	6
4			Half Clamp, Threaded Holes (7/8" Dia. Back Canes)	1	2
5			Half Clamp, Un-Threaded Holes (7/8" Dia. Back Canes)	1	2