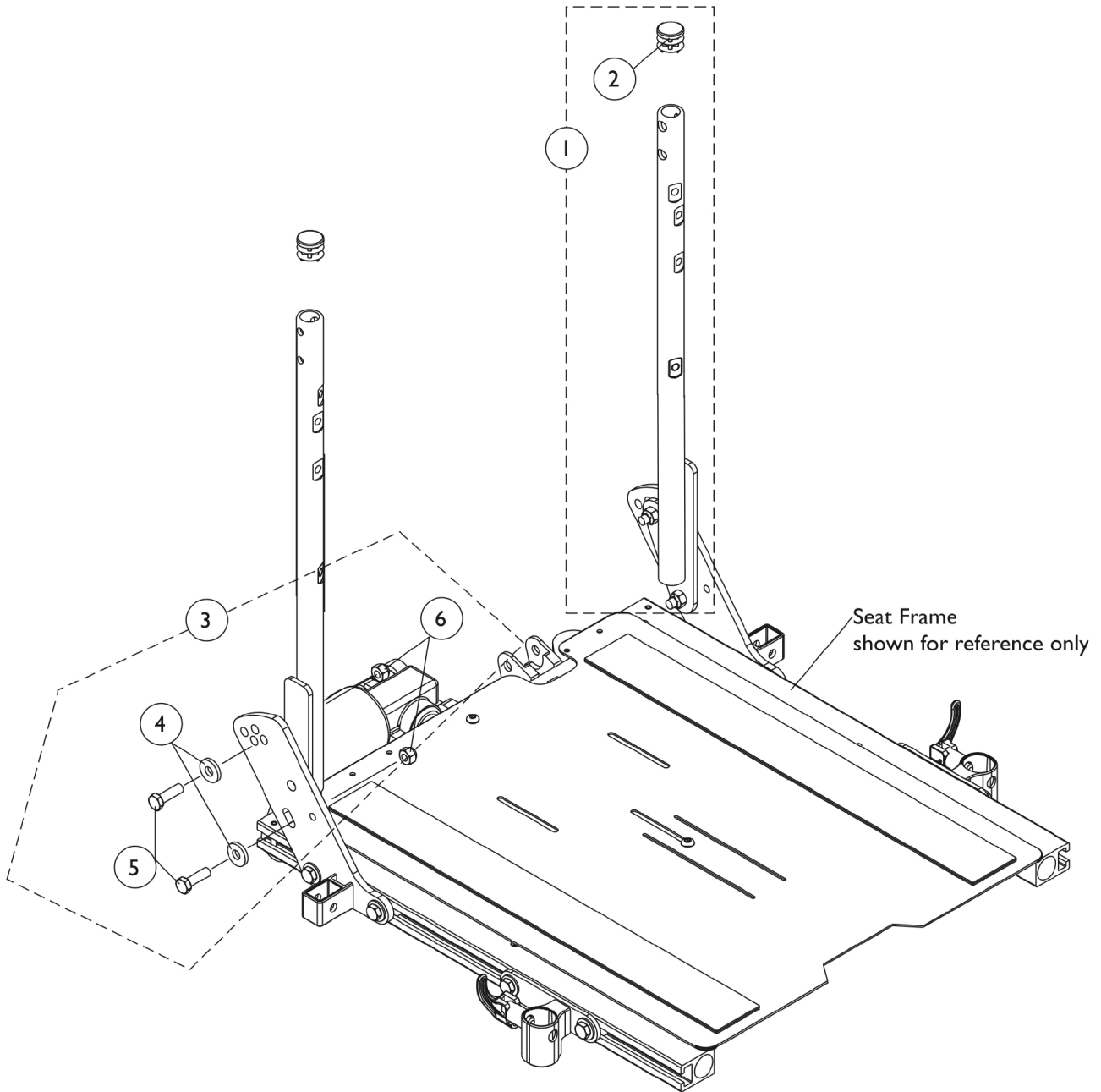


Solid Straight Back Canes w/o Push Handles and Mounting Hardware

Conventional Tilt



Solid Straight Back Canes w/o Push Handles and Mounting Hardware Conventional Tilt

Item Number	Note	Part Number	Description	Quantity Per	
				Package	Assembly
1	A	1128394-NLA	NLA - Kit, Back Cane w/o Push Handle, Solid Straight w/ Plug Button - Right	1	1
1	A	1128395-NLA	NLA - Kit, Back Cane w/o Push Handle, Solid Straight w/ Plug Button - Left	1	1
1	A	1128396-NLA	NLA - Kit, Back Canes w/o Push Handle, Solid Straight w/ Plug Button (Pair)	1	1
2		1027097	Plug Button, Black (3/4")	1	1
3	B	1125733	Kit, Solid Straight Back Cane w/o Push Handle, Mounting Hardware	1	1
4			Washer, Flat (21/64 x 53/64 x 7/64")	1	2
5			Screw, Hex Head (5/16-18 x 1")	1	2
6			Locknut (5/16-18)	1	2
4		1079247	Washer, Flat (21/64 x 53/64 x 7/64")	1	2
5		1028478-NLA	NLA - Screw, Hex Head (5/16-18 x 1-1/4")	1	2
6		1026158	Locknut (5/16-18)	1	2

NOTE: A - Back height from the seat pan to the top of the back cane will measure approximately 20-1/2" high.
B - Includes items 4-6