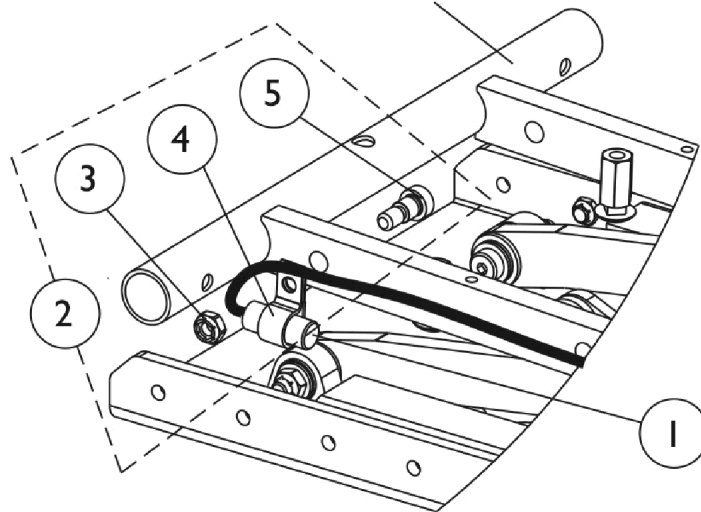


Mercury Free Switches and Hardware

As of 7/1/2009, switches are mercury free.

Partial view of a Tilt Seating
shown for reference only



Formula CG Tilt Only

Item Number	Note	Part Number	Description	Quantity Per	
				Package	Assembly
1		1140099	Switch, Drive Lockout Mercury Free Ball (MK6i) (50" L)	1	1
2	A	1121712	Kit, Switch Mounting Hardware (Formula CG Tilt Only)	1	1
3			Locknut (5/16-18)	1	1
4			NLA - Bracket, Cable/Wire Mounting, Black	1	1
5			Screw, Shoulder Hex Socket Head w/ Patch (3/8" x 3/8", 5/16-18)	1	1

NOTE: A - Includes items 3-5