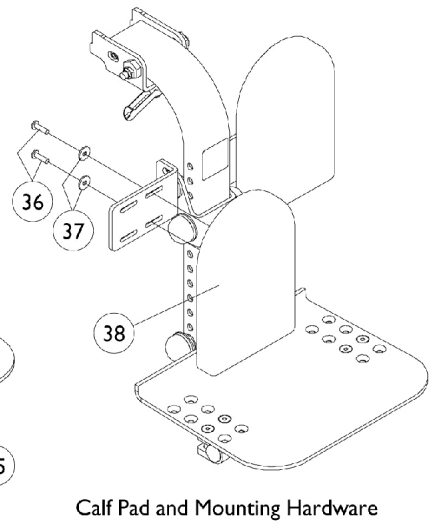
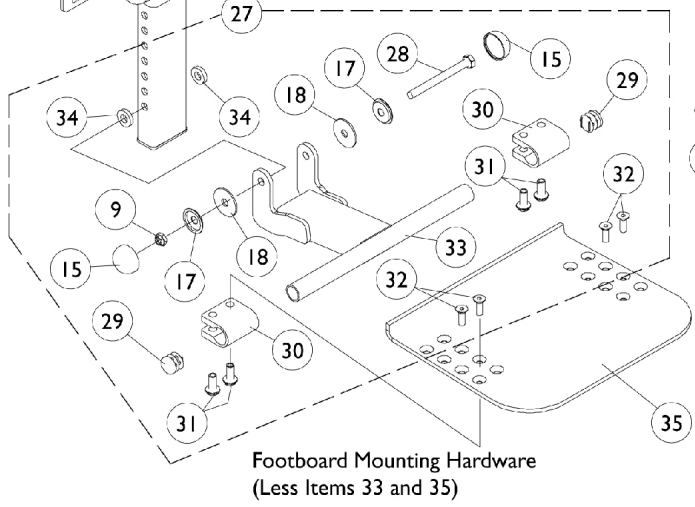
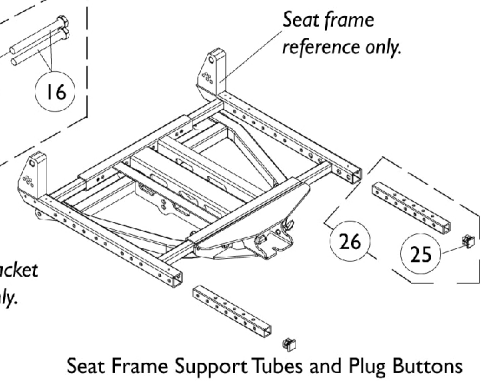
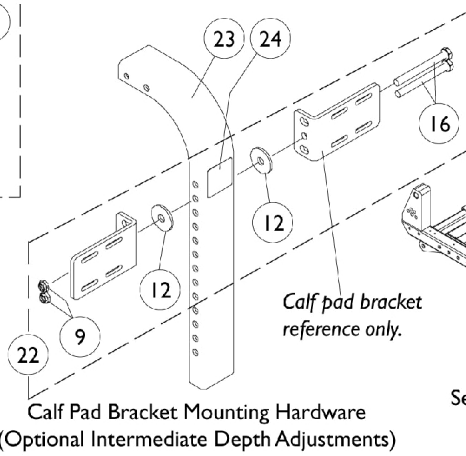
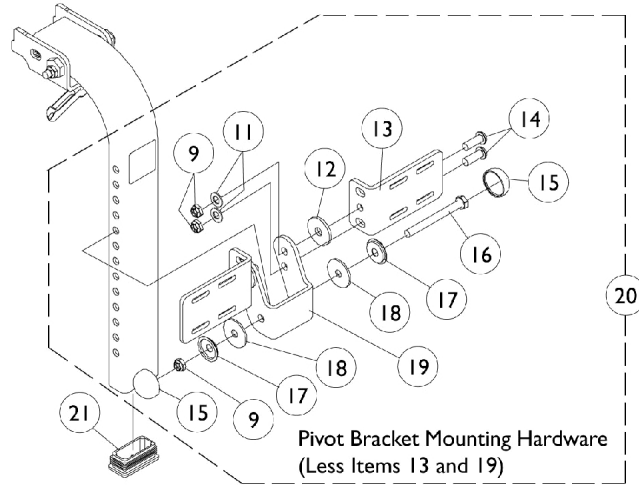
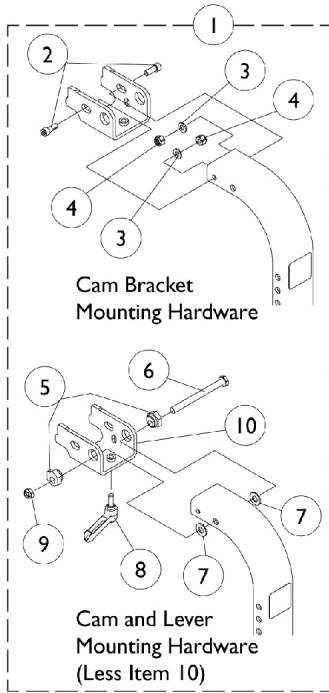


90 WSBT Footboard Assembly 16"-18" Deep

Pronto R2 Made After 9/24/00 Only



Seat frame reference only.

Calf pad bracket reference only.

90 WSBT Footboard Assembly 16"-18" Deep

Pronto R2 Made After 9/24/00 Only

| Item Number | Note | Part Number | Description | Quantity Per | |
|-------------|------|--------------|---|--------------|----------|
| | | | | Package | Assembly |
| 1 | B | 1101542-NLA | NLA - Hardware, Cam Bracket Mounting | 1 | 1 |
| 2 | | 1007219 | Screw, Socket Head (1/4-20 x 5/8") | 1 | 2 |
| 3 | | 1026907 | Washer (1/4 x 1/2 x 1/16") | 1 | 2 |
| 4 | | 7930333 | Locknut (1/4-20) | 25 | 2 |
| 5 | | 1091547-NLA | NLA - Cam, Mounting Bracket, Upper | 1 | 2 |
| 6 | | 1037110 | Screw, Hex Head (5/16-24 x 3-1/2") | 1 | 1 |
| 7 | | 1026032 | Washer, Nylon (11/32 x 11/16 x 1/16") | 1 | 2 |
| 8 | | 1099502-NLA | NLA - Lever, Adjustment | 1 | 1 |
| 9 | | 7930330-NLA | NLA - Locknut (5/16-24) | 25 | 9 |
| 10 | | 1099494-NLA | NLA - Bracket, Cam with Fastener, Black | 1 | 1 |
| 11 | | 1025704 | Washer, Flat (5/16 x 5/8 x 1/16") | 1 | 4 |
| 12 | | 1071487-NLA | NLA - Washer, Nylon (23/64 x 1-15/64 x 7/64") | 1 | 4 |
| 13 | | 1099500-NLA | NLA - Bracket, Calf Pad Mounting, Black | 1 | 2 |
| 14 | | 1099504-NLA | NLA - Screw, Socket Button Head (5/16-24 x 7/8") | 1 | 4 |
| 15 | | 1028835-NLA | NLA - Cap, Hub, Black | 1 | 4 |
| 16 | | 1028600-NLA | NLA - Screw, Hex Head (5/16-24 x 3") | 1 | 3 |
| 17 | | 1028491-NLA | NLA - Washer, Caplugs (11/32" I.D. x 1" O.D.) | 1 | 4 |
| 18 | | 1092409 | Washer, Steel (5/16 x 1-1/4 x 1/16") | 1 | 4 |
| 19 | | 1099499-NLA | NLA - Bracket, Pivot, Black | 1 | 1 |
| 20 | C | 1101543-NLA | NLA - Hardware, Pivot Bracket Mounting | 1 | 1 |
| 21 | | 1101088-NLA | NLA - Plug Button, Rectangular | 1 | 1 |
| 22 | D | 1101092-NLA | NLA - Hardware, Calf Pad Bracket Mounting | 1 | 1 |
| 23 | | 1101541-NLA | NLA - Tube, Legrest with Warning Decal | 1 | 1 |
| 24 | | 1098331-NLA | NLA - Decal, Warning | 1 | 1 |
| 25 | | 0062200-NLA | NLA - Plug Button, Square (3/4") | 1 | 2 |
| 26 | | 1096519-NLA | NLA - Support Tube w/ Plug Button, Black | 1 | 2 |
| 27 | E | 1101544-NLA | NLA - Hardware, Footboard Mounting | 1 | 1 |
| 28 | | 1025705-NLA | NLA - Screw, Hex Head (5/16-24 x 3-1/4") | 1 | 1 |
| 29 | | 1027097 | Plug Button, Black (3/4") | 1 | 2 |
| 30 | | 1058517 | Clamp, Footplate | 1 | 2 |
| 31 | | 1082686 | Nut, Barrel, Hex Head (1/4-20 x 11/16") | 1 | 4 |
| 32 | | 1029545 | Screw, Socket Flat Head (1/4-20 x 3/4") | 1 | 4 |
| 33 | | 1090551-NLA | NLA - Bracket, Footboard Pivot, Black | 1 | 1 |
| 34 | | 1074210-NLA | NLA - Washer, Nylon (23/64 x 3/4 x 5/32") | 1 | 2 |
| 35 | F | 1094613-NLA | NLA - Footboard, Black (18" W) | 1 | 1 |
| 36 | | 7930328-NLA | NLA - Package, Screw, Phillips Pan Head (#10-32 x 11/16") | 25 | 4 |
| 37 | | 1070587 | Washer, Flat (3/16 x 5/8 x 1/16") | 1 | 4 |
| 38 | A | 88804529X003 | Pad, Legrest, Vinyl - Right | 1 | 1 |
| 38 | A | 88804529X004 | Pad, Legrest, Vinyl - Left | 1 | 1 |

NOTE: A - Specify U67 black upholstery color when ordering.
 B - Includes Items 2-9
 C - Includes Items 9, 11, 12 and 14-18
 D - Includes Items 9, 12 and 16
 E - Includes Items 9, 15, 17, 18 and 28-34
 F - 18" Wide