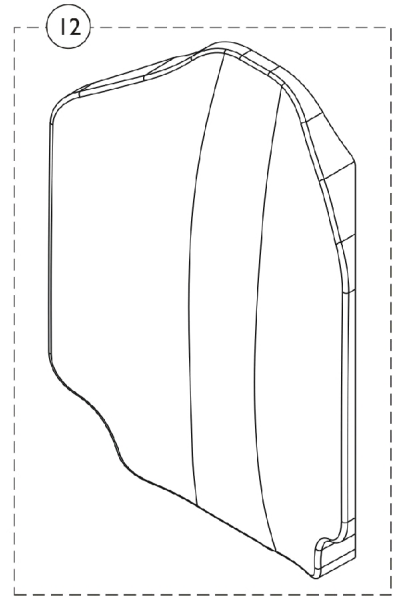
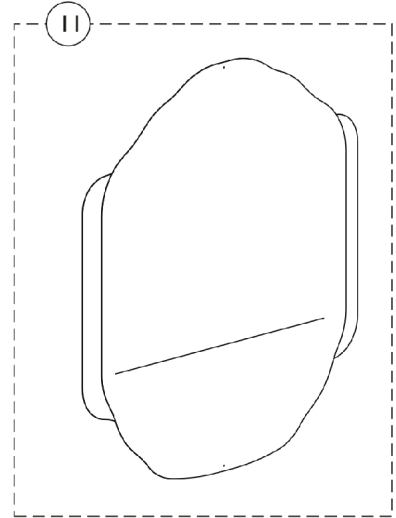
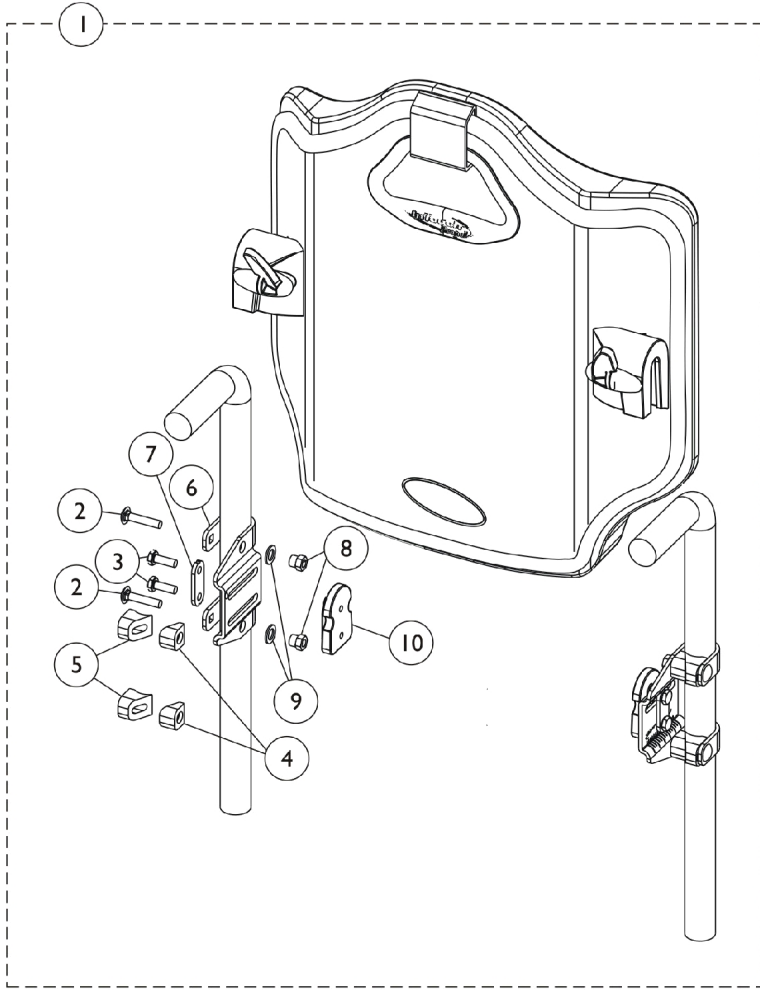


InTouch Propel Back



InTouch Propel Back

Item Number	Note	Part Number	Description	Quantity Per	
				Package	Assembly
1	A	1145048	Hardware, Propel Back, InTouch	1	1
2			Bolt, Carriage (1/4-20 x 1-1/4")	1	4
3			NLA - Bolt, Hex Head Cap (1/4-20 x 3/4")	1	4
4			Grip, Tube	1	4
5			Grip, Tube Slide	1	4
6			Bracket, Cane	1	1
7			Washer	1	1
8			Nut (1/4-20")	1	4
9			Washer, Plain (1/4 x 9/16 x 1/16")	1	2
10			Slide, T	1	2
			NLA - Wrench, Open End (3/8 - 7/16")	1	1
			Carton	1	4
11		See Chart	#11 Outer Cover	1	1
12		See Chart	#12 Back Foam	1	1

NOTE: A - Includes items 2-10, wrench and carton.

#11 Outer Cover

Width	Part Number
16"-17" Wide	1136439
18"-19" Wide	1136440
20"-21" Wide	1136441

#12 Back Foam

Width	Part Number
16 - 17" Wide	1136434
18 - 19" Wide	1136435
20 - 21" Wide	1136436