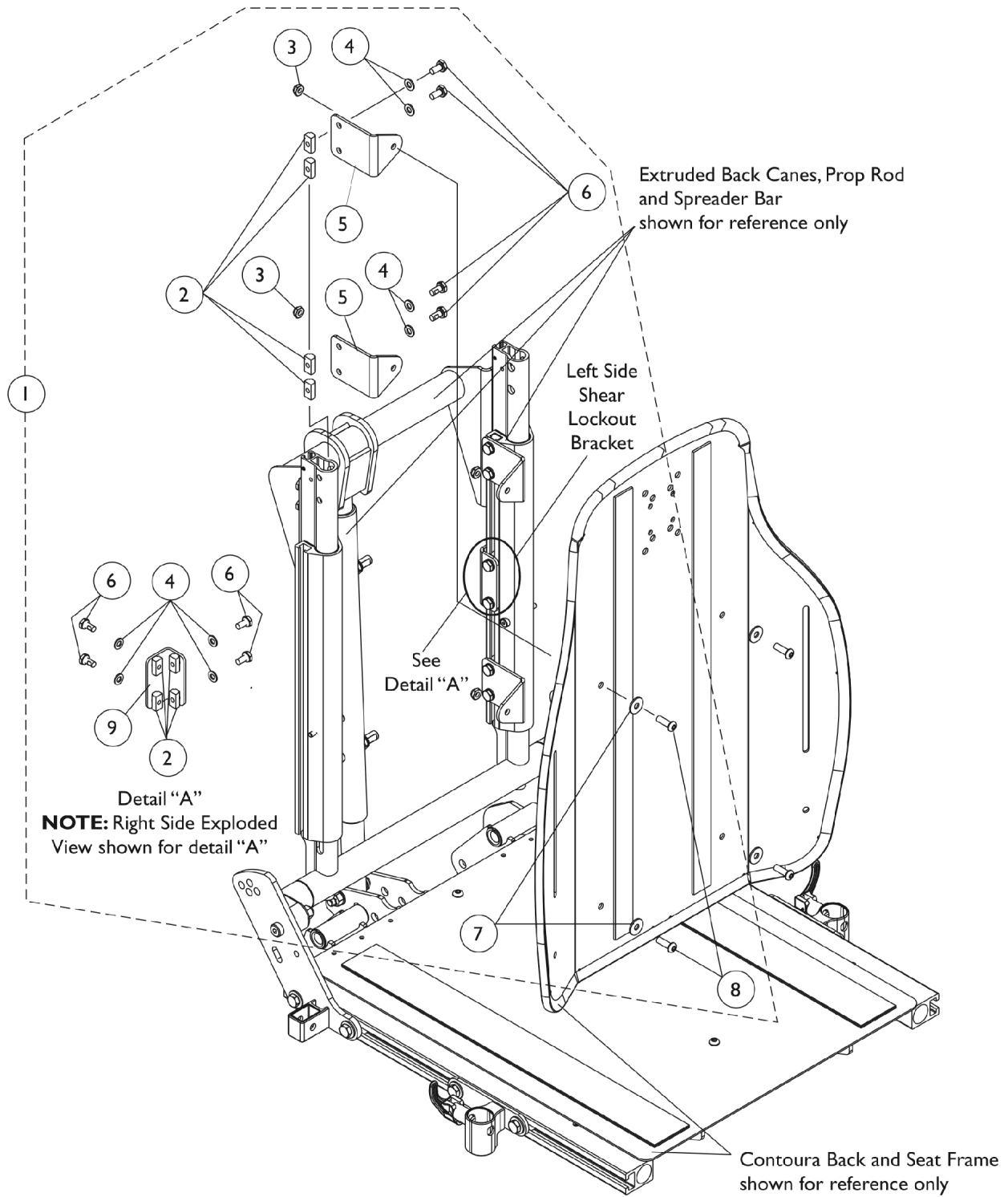


Back Mounting Hardware

Contoura Tilt - Before 5/15/09



Back Mounting Hardware Contoura Tilt - Before 5/15/09

Item Number	Note	Part Number	Description	Quantity Per	
				Package	Assembly
1	A	1125755	NLA - Kit, Back Mounting Hardware For Contoura Tilt	1	1
2			T-Nut (1/4-20)	1	16
3			Locknut (1/4-20)	1	4
4			Washer (1/4 x 1/2 x 1/16")	1	16
5			NLA - Bracket, Back Mounting, Black	1	4
6			Screw, Hex Head w/ Patch (1/4-20 x 1/2")	1	16
7			Washer (1/4 x 23/32 x 1/16")	1	4
8			Screw, Socket Button (1/4-20 x 3/4")	1	4
9			NLA - Bracket, Contoura Shear Lock Out, Black	1	2

NOTE: A - Includes items 2-9