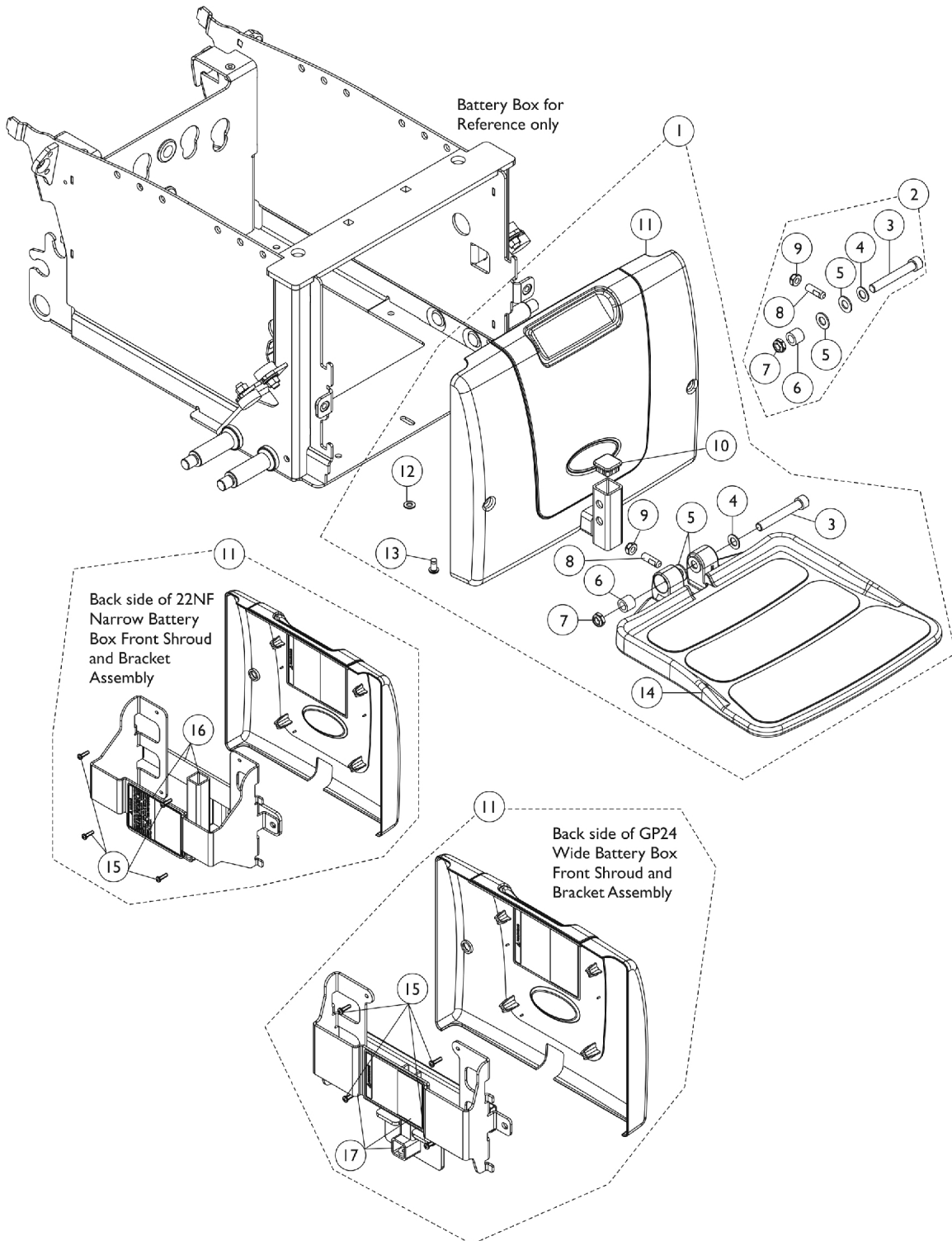


90FB Flip-Up Removable Footboard Assembly



90FB Flip-Up Removable Footboard Assembly

Item Number	Note	Part Number	Description	Quantity Per	
				Package	Assembly
1	A	1147943	Kit, 90FB Footboard, Bracket, Shroud, Decals and Hardware (For 22NF Batteries)	1	1
1	A	1147944	Kit, 90FB Footboard, Bracket, Shroud, Decals and Hardware (For GP24 Batteries)	1	1
2	B	1147134	Kit, Footboard Mounting Hardware	1	1
3			Screw, Socket Head (3/8-16 x 2-1/2")	1	1
4			Washer, Flat (3/8 x 11/16 x 1/16")	1	1
5			Washer, Nylon (3/8 x 3/4 x 1/16")	1	2
6			Bushing (3/8 x 5/8 x 1/2")	1	1
7			Locknut, Low Profile (3/8-16)	1	1
8			Screw, Set Socket Flat Point (5/16-18 x 1")	1	1
9			Locknut (5/16-18)	1	1
10		1105038	Plug Button, Black (1" Square)	1	1
11	C	1147937	Front Shroud and Bracket Assembly, 90FB (For 22NF Batteries)	1	1
11	D	1147938	Front Shroud and Bracket Assembly, 90FB (For GP24 Batteries)	1	1
12		1026907	Washer (1/4 x 1/2 x 1/16")	1	1
13		1045267	Screw, Hex Head w/ Patch (1/4-20 x 3/4")	1	1
14		1114311	Footboard w/ Cover (11-1/4" W x 11-1/2" L)	1	1
15		1114276	Screw, Phillips Pan Head (#8-16 x 5/8")	1	4
16		1147133-NLA	NLA - Kit, Bracket with Decal (For 22NF Batteries)	1	1
17		1147942-NLA	NLA - Kit, Bracket with Decal (For GP24 Batteries)	1	1
NOTE: A - Includes items 3-14 B - Includes items 3-9 C - Includes items 15 and 16 D - Includes items 15 and 17					