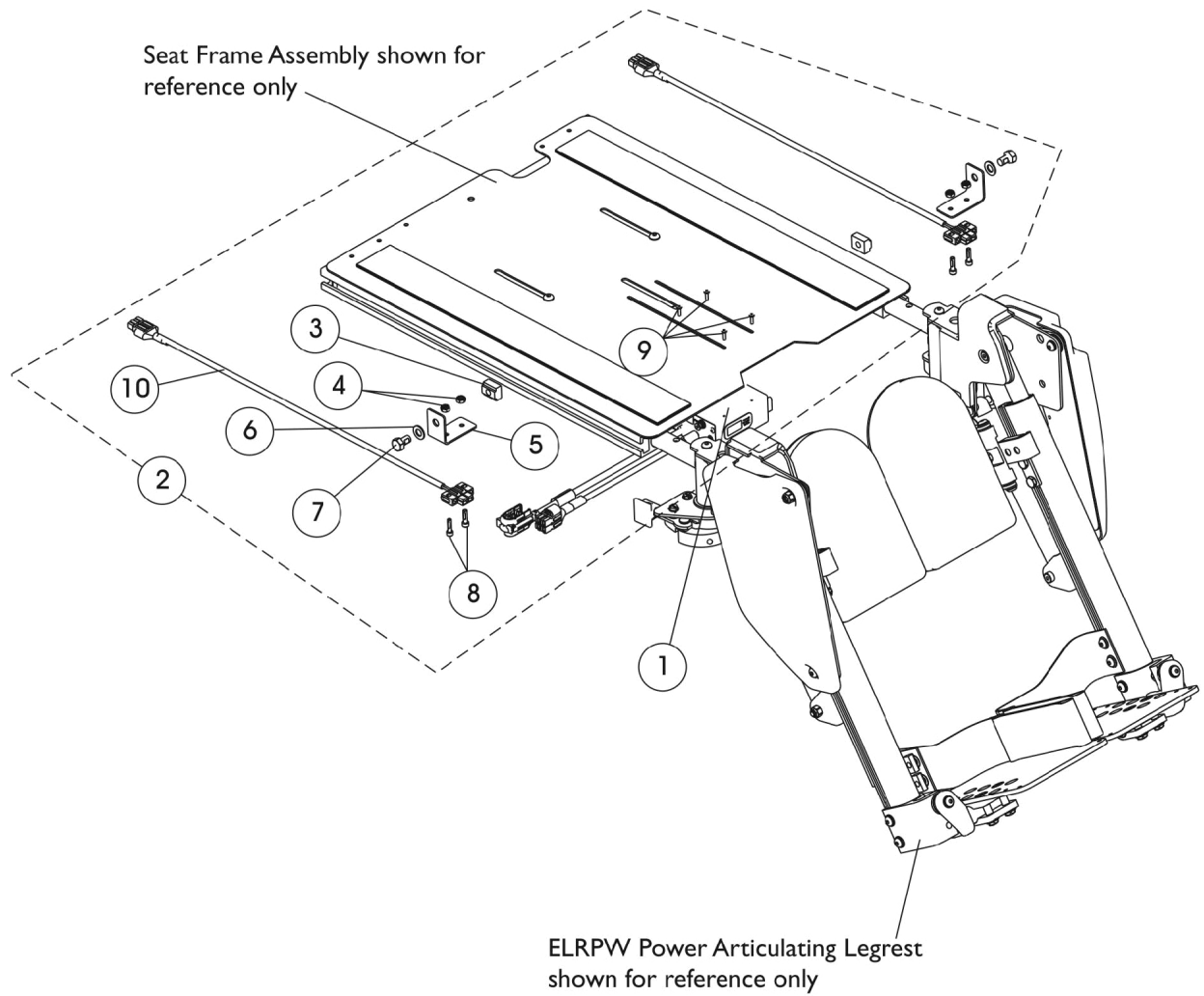


Power Articulating Legrest ELRPW Harness, Hdwr. and DLIAM (Dual Legs Integrated Actuator Module)



Power Articulating Legrest ELRPW Harness, Hdwr. and DLIAM (Dual Legs Integrated Actuator Module)

Item Number	Note	Part Number	Description	Quantity Per	
				Package	Assembly
1	B	1140032	Module, Dual Legs Integrated Actuator (DLIAM) - MK6i (54" L)	1	1
2	A,B	1144585	Kit, ELRPW Power Articulating Legrest Harnesses and Mtg. Hdwr. For Formula CG (Pair)	2	1
3			T-Nut (5/16-18)	1	2
4			Locknut (#8-32)	1	4
5			NLA - Bracket, Wire Harness, Black	1	2
6			Washer, Flat (5/16 x 5/8 x 1/16")	1	2
7			NLA - Screw, Hex Head w/ Patch (5/16-18 x 1/2")	1	2
8			NLA - Screw, Socket Head (#8-32 x 5/8")	1	4
9			Screw, Phillips Pan Head (#4-40 x 3/8")	1	4
10			Harness, ELRPW Power Legrest - Right	1	1
10			Harness, ELRPW Power Legrest - Left	1	1

NOTE: A - Includes items 3-10
 B - On 2/28/07 the Dual Leg Actuator Module (DLIAM) harness cable that plugs into item #10 RLRPW Power Legrest Harness Assembly was lengthened from approximately 3" to 20" long to eliminate the need for the ELRPW Power Legrest Harness Assemblies.