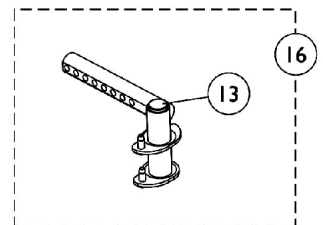
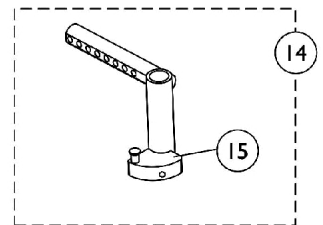
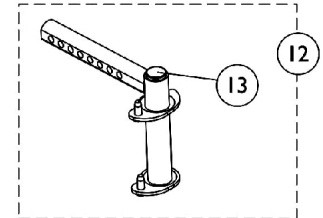
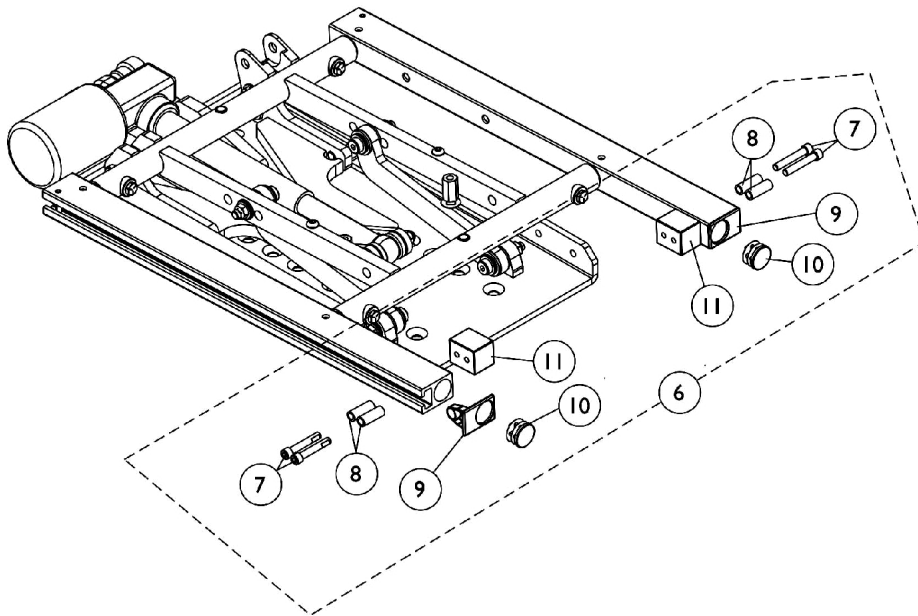
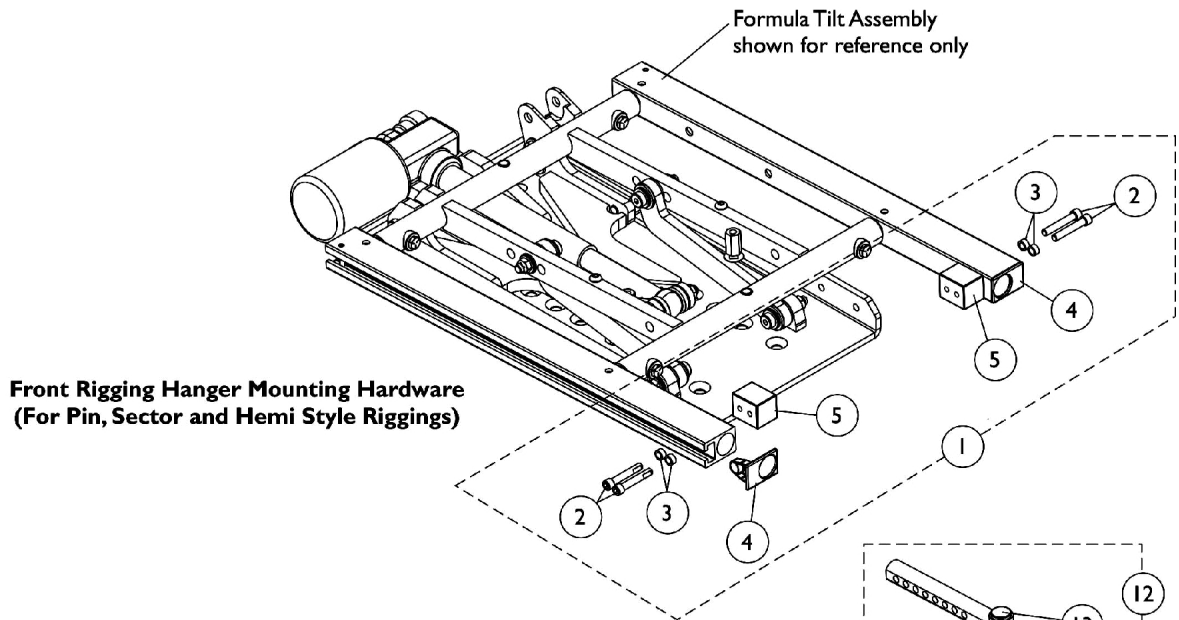


Front Rigging Hangers and Hardware Pin, Sector and Hemi Style (16"-24" Wide) (CGT/CGTE)



Front Rigging Hangers and Hardware Pin, Sector and Hemi Style (16"-24" Wide) (CGT/CGTE)

Item Number	Note	Part Number	Description	Quantity Per	
				Package	Assembly
1	A	1125726	Kit, Front Rigging Hanger Mounting Hardware (Pair)	1	1
2			Screw, Socket Head Cap w/ Patch (1/4-20 x 1-1/2")	1	4
3			NLA - Spacer (1/4 x 3/8 x 3/16")	1	4
4			Cap, End, Side Rail, Black	1	2
5			Block, Threaded	1	2
6	B	1124723	Kit, Side Rail Cap Hardware (Pair)	1	1
7			Screw, Socket Head Cap w/ Patch (1/4-20 x 1-1/2")	1	4
8			Spacer (1/4 x 3/8 x 29/32")	1	4
9			Cap, End, Side Rail, Black	1	2
10			Plug Button, Black (1")	1	2
11			Block, Threaded	1	2
12		1143781	Front Rigging Hanger Assembly w/ Plug Button, Pin Style, Adult, Black - Right	1	1
12		1143782	Front Rigging Hanger Assembly w/ Plug Button, Pin Style, Adult, Black - Left	1	1
13		1134426	Package, Plug Button, Black (3/4")	10	1
14	C	1143416	Front Rigging Hanger Assembly w/ Sector Block, Black - Right	1	1
14	C	1143417	Front Rigging Hanger Assembly w/ Sector Block, Black - Left	1	1
15	D	1054571	Kit, Sector Block - Right	1	1
15	D	1054572	Kit, Sector Block - Left	1	1
16	E	1143783	Front Rigging Hanger Assembly w/ Plug Button, Hemi, Black - Right	1	1
16	E	1143784	Front Rigging Hanger Assembly w/ Plug Button, Hemi, Black - Left	1	1

NOTE: A - Includes items 2-5
B - Includes items 7-11
C - Includes Front Rigging Hanger and item 15
D - Includes the Sector Block, Screw and Washer
E - Used for TDX SP/SR models only