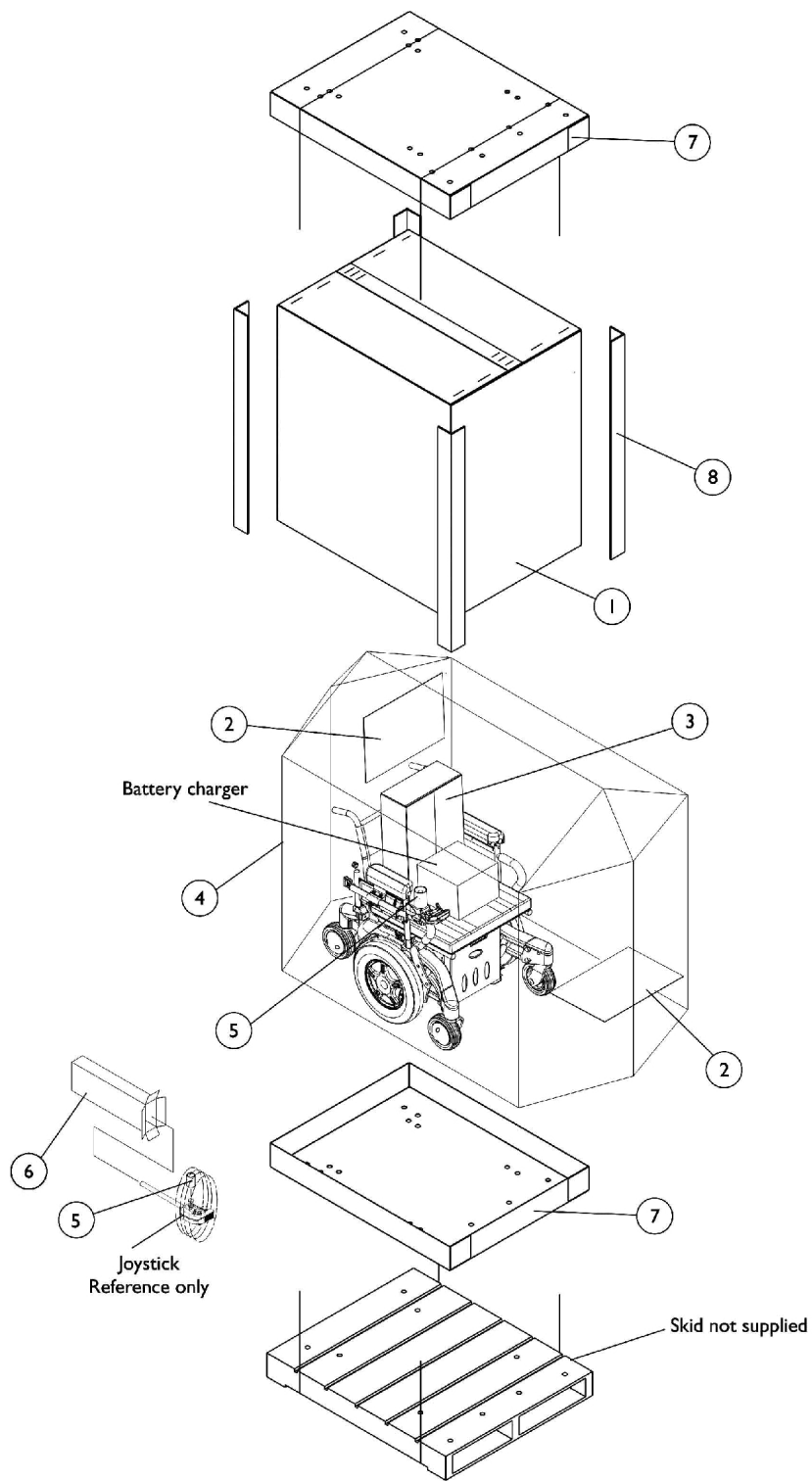


Packaging & Literature

For TDX SP/SP-GT/SR



Packaging & Literature For TDX SP/SP-GT/SR

Item Number	Note	Part Number	Description	Quantity Per	
				Package	Assembly
1	A	1030364	Carton, Cover	1	1
1	B	1031682	Carton, Cover	1	1
1	C	1036028	Carton, Cover	1	1
2		40131X161	Insert, Plain Pad	1	2
3		40131X011-NLA	NLA - Carton, Front Riggings	1	1
4		1015592	Bag, Poly (72" L x 35" W x 19" D)	1	1
5		1043198-NLA	NLA - Tube, Paper	1	1
6		1012001-NLA	NLA - Carton, Joystick	1	1
7	D	1030362	Carton, Tray	1	2
7	E	1036027	Carton, Tray	1	2
8	D	1115174	Carton, Corner Reinforcement	1	4
8	B	1129589-NLA	Carton, Corner Reinforcement	1	4
8	E	1129590-NLA	Carton, Corner Reinforcement	1	4
		00077X031-NLA	NLA - Warranty Card	1	1
	F	1143155-NLA	NLA - Owner's Manual, Formula CG Seating	1	1

NOTE: A - 12"-20" wide systems with base
 B - 16"-20" wide systems medium/tall seat-to-floor heights with base
 C - 21"-24" wide systems with base
 D - 12"-20" wide systems with base
 E - 21"-24" wide systems with base
 F - Not Shown

When adjusting or replacing parts, please refer to your Owner's Manual for assistance.