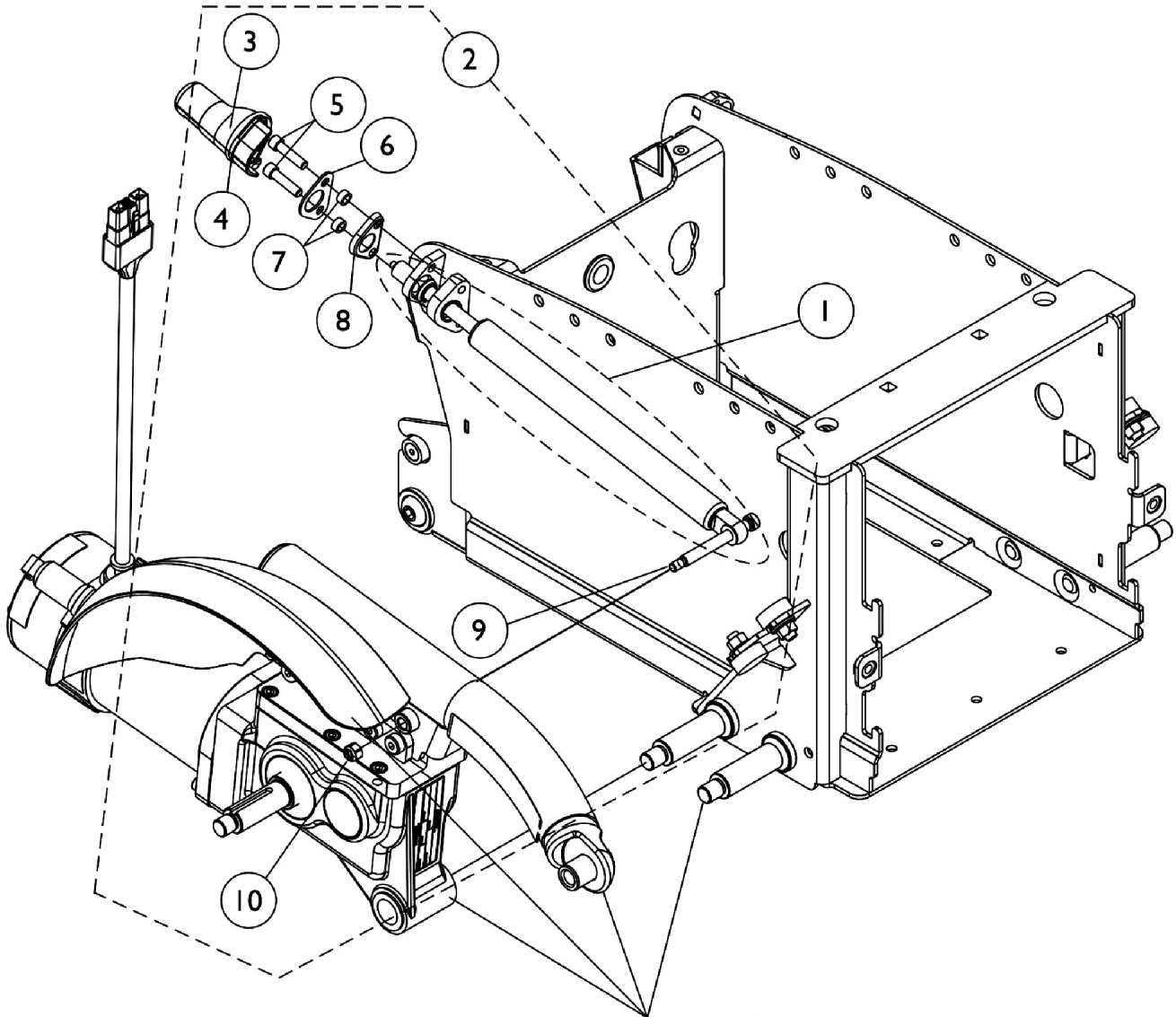


# Locking Gas Cylinders

TDX SP/SP-GT - Before 3/5/07



Battery Box, Walking Beam,  
Motor Assembly and Fender  
shown for reference only

# Locking Gas Cylinders

## TDX SP/SP-GT - Before 3/5/07

Item Number	Note	Part Number	Description	Quantity Per	
				Package	Assembly
1	B	1144661	Cylinder, Locking Gas	1	1
1	C	1144655	Cylinder, Locking Gas	1	1
2	A	1145053	Kit, Locking Gas Cylinder Mounting Hardware - Right	1	1
3			Boot - Right	1	1
4			Tie Wrap (11-1/2" L)	1	1
5			NLA - Screw, Socket Head Cap w/ Patch (1/4-20 x 1")	1	2
6			Plate	1	1
7			NLA - Spacer (1/4 x 3/8 x 3/16")	1	2
8			Plate, Boot Mounting	1	1
9			Screw, Shoulder Hex Socket Head (5/16" x 2-1/2", 1/4-20)	1	1
10			Locknut (1/4-20)	1	1
2		1145054	Kit, Locking Gas Cylinder Mounting Hardware - Left	1	1
3			Boot - Left	1	1
4			Tie Wrap (11-1/2" L)	1	1
5			NLA - Screw, Socket Head Cap w/ Patch (1/4-20 x 1")	1	2
6			Plate	1	1
7			NLA - Spacer (1/4 x 3/8 x 3/16")	1	2
8			Plate, Boot Mounting	1	1
9			Screw, Shoulder Hex Socket Head (5/16" x 2-1/2", 1/4-20)	1	1
10			Locknut (1/4-20)	1	1
NOTE: A - Includes items 3-10 B - Used for 300 Lb. User Weight Limit C - Used for 400 Lb. User Weight Limit					