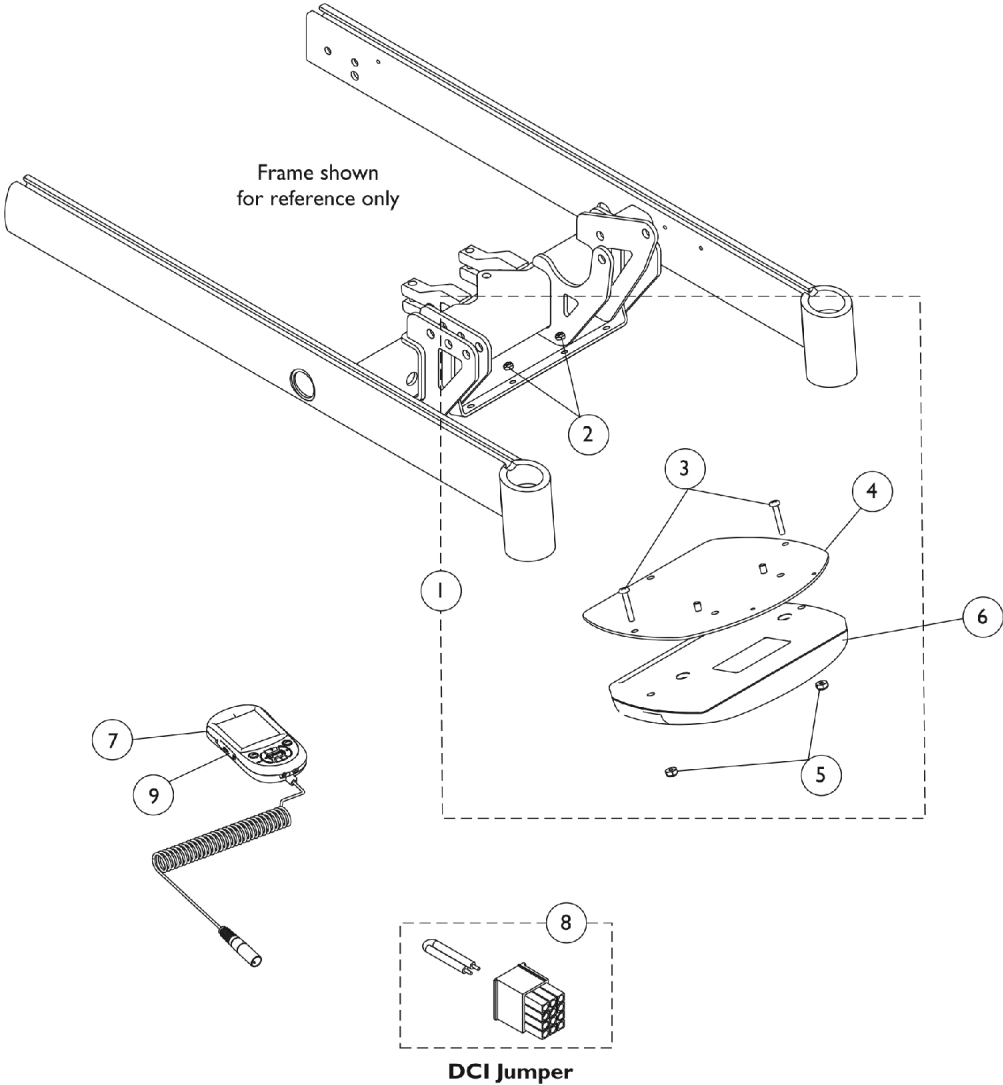


# Controller - Programmer w/ Mtg. Hdwr. - 3G Storm w/ 4 Pole Motors & PTO Seating



DCI Jumper

## Controller - Programmer w/ Mtg. Hdwr. - 3G Storm w/ 4 Pole Motors & PTO Seating

Item Number	Note	Part Number	Description	Quantity Per	
				Package	Assembly
1	A	1145384-NLA	NLA - Kit, Controller Bracket with Hardware	1	1
2			Locknut (#10-32)	1	2
3			Screw, Phillips Pan Head (#8-32 x 1")	1	2
4			Bracket, Controller Mounting, Black	1	1
5			Locknut (#8-32)	1	2
6		1136898	Controller, MK690 w/ ACC	1	1
7	D	1139985	Programmer, MK6i Remote	1	1
7	D	1142215	Kit, MK6i Remote Programmer w/ SD Professional Card & Card Holder (1813M6)	1	1
8	C	1140125-NLA	NLA - Jumper, DCI	1	1
9		1139997	Cover, SD Card Slot	1	1
	B	1095502-NLA	NLA - Package, Tie Wrap (11-1/2" L)	10	1

NOTE: A - Includes items 2-5.  
 B - Not Shown  
 C - DCI Jumper is used when an MPJ+ Joystick is used  
 D - The MK6i Programmer Manual (1141471) is not included and is strongly recommended the guide be ordered or downloaded from Literature Fulfillment.