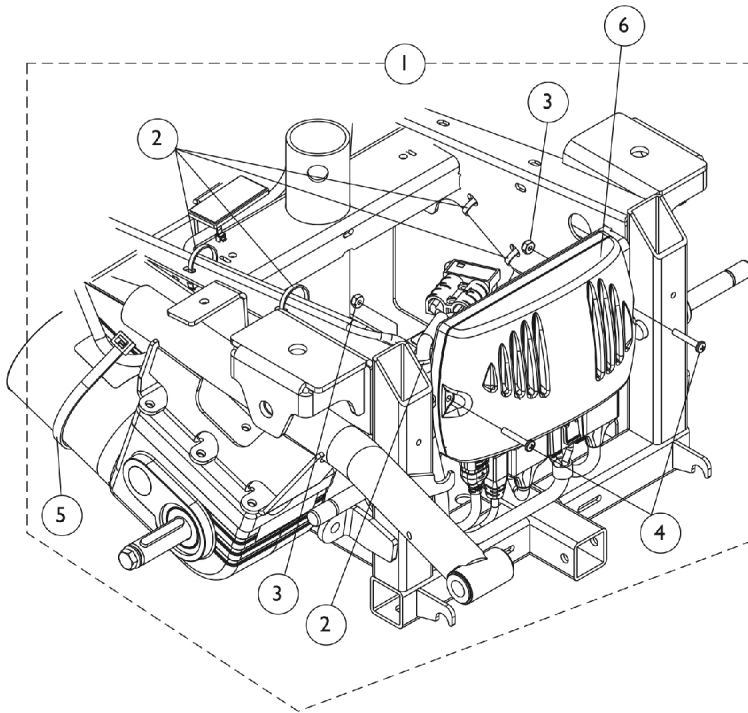
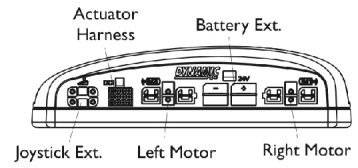


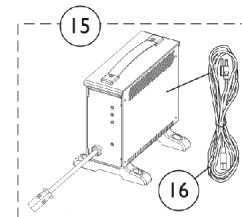
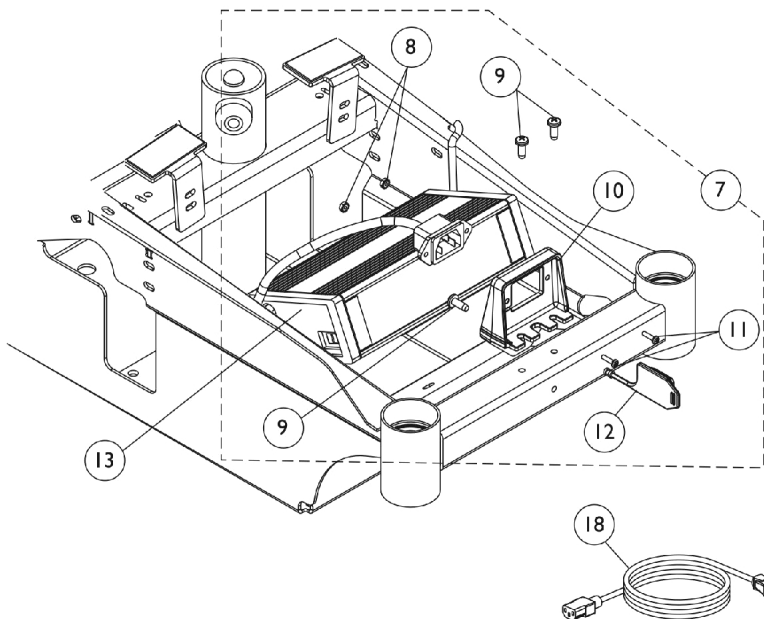
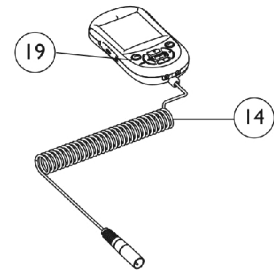
# Controller - Programmer w/ Mtg. Hdwr. - Pronto M61



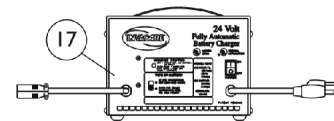
## Controller Connections



## Controller for Elevating Seat



CTE Battery Charger



Lester Battery Charger

# Controller - Programmer w/ Mtg. Hdwr. - Pronto M61

Item Number	Note	Part Number	Description	Quantity Per	
				Package	Assembly
1	A	1127302	Kit, Controller Mounting Hardware	1	1
2			Tie Wrap (5-5/8" L)	1	14
3			Locknut (#8-32)	1	2
4			Screw, Phillips Pan Head (#8-32 x 1")	1	2
5			Tie Wrap (17-1/2" L)	1	2
6	G,G1	1127270	Controller, MK5 NX w/ ACC/ MK660 w/ ACC	1	1
7	B	1127301	Kit, Charger Mounting Hardware	1	1
8			Nut, Hex Keps (#4-40)	1	2
9			Screw, Phillips Pan Head Tap (#10-32 x 1/2")	1	3
10			Bracket, Charger Connector, Black	1	1
11			Screw, Phillips Pan Head (#4-40 x 7/16")	1	2
12			Cover, Connector	1	1
13	F	1118923	Charger, Battery with Power Cord 3 Amp, On-Board	1	1
13	F	1118923E-NLA	NLA - WARR RPLMT - Charger, Battery w/ Power Cord 3 Amp, On-Board	1	1
14	H	1139985	Programmer, MK6i Remote	1	1
14	H	1142215	Kit, MK6i Remote Programmer w/ SD Professional Card & Card Holder (1813M6)	1	1
15	C,D	1123249	Charger, Battery, 8 Amp. 115vac (Off Board) Single Mode Round Plug w/ AC Power Line Cord	1	1
15	C,D	1123249E-NLA	NLA - WARR RPLMT - Charger, Battery, 8 Amp, 115VAC (Off Board) Single Mode Round Plug w/ AC Power Line Cord	1	1
16	I	1089627-NLA	NLA - Cord, AC Power, 115VAC, 2 Prong Off-Board (11' 6" L)	1	1
16		1121086	Cord, AC Power, 115VAC, 3 Prong On-Board (6' 6-1/2" L)	1	1
17	E,J	1053161-NLA	NLA - Charger, Battery, 8 Amp, 115vac, Off Board Dual Mode Round Plug, Lester	1	1
18		1121086	Cord, AC Power, 115VAC, 3 Prong On-Board (6' 6-1/2" L)	1	1
19		1139997	Cover, SD Card Slot	1	1

NOTE: A - Includes items 2-5, does not include controller  
 B - Includes items 8-12  
 C - Used on Gel Cell or AGM (Absorbed Glass Mat) batteries. For wet cell batteries refer to the Lester 8 amp charger  
 D - Includes item 16, AC power cord  
 E - Used on Wet Cell batteries  
 F - On Board charger is included as a standard feature  
 G - After 10/8/06 the MK5 NX w/ ACC controller was revised to function as a MK660 w/ ACC or MK5 NX w/ ACC controller. The part # did not change and the label was revised to only show MK660 w/ ACC.  
 G1 - Revised controller is backward compatible with MK5 Driver Controls manufactured Before 10/9/06. Controllers in the field that show the MK5 NX w/ ACC label and serial # dated Before 10/9/06 will not have revised software to work with MK6i Driver Controls.  
 H - The MK6i Programmer Manual (1141471) is not included and is strongly recommended the guide be ordered or downloaded from Literature Fulfillment.  
 I - No longer available as a service part. Please use 1121086 as its replacement.  
 J - Use Battery Charger part number 1123249 as a replacement.