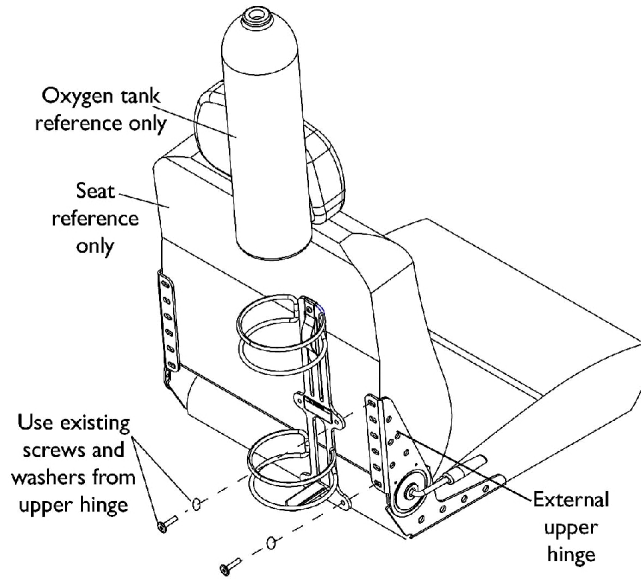
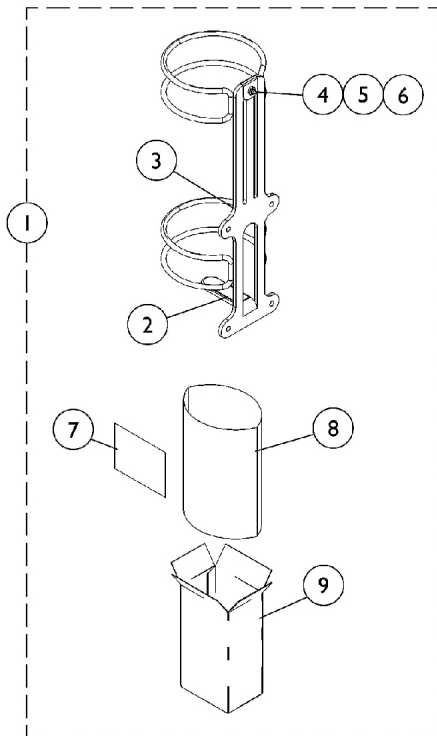


Oxygen Holder Assembly Kit

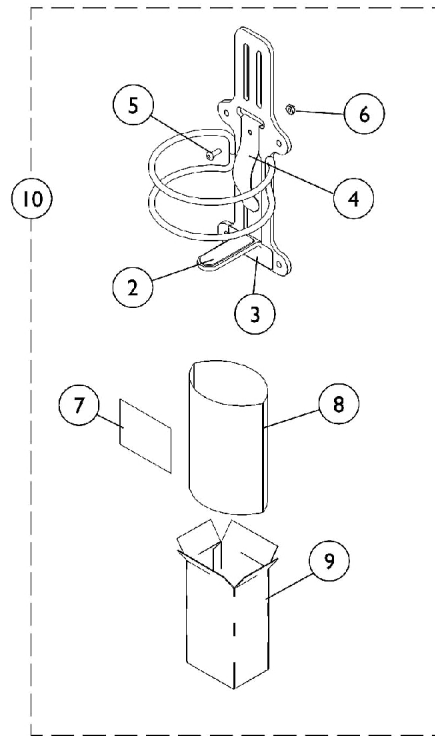
Van Seat



Installing on Seat with External Hinge



O2 Holder D or E size tanks



O2 Holder Home Filled Tank (HFO2-ML6)

Oxygen Holder Assembly Kit Van Seat

Item Number	Note	Part Number	Description	Quantity Per	
				Package	Assembly
1	A	1116956	Oxygen Holder Assembly(D or E Tanks)	1	1
2		1116950-NLA	NLA - Pad, Non-Skid	1	1
3		1080866	Decal, Oxygen Warning - English	1	1
4		1116945	Spring, Oxygen Holder	1	1
5		1072319-NLA	NLA - Screw, Socket Button Head (#10-32 x 1/2")	1	1
6		1025735	Locknut (#10-32)	1	1
7	B	1116957-NLA	NLA - Instruction Sheet, Oxygen Holder	1	1
8		1021866-NLA	NLA - Bag, Poly (26" L x 15" W)	1	1
9		1063960	Carton	1	1
10	A	HFO2-ML6	Oxygen Holder Assembly (Home Filled Tank)	1	1

NOTE: A - Includes Oxygen Holder plus items 2-9. For seats with an EXTERNAL (visible) hinge assembly.
 B - Item is no longer available from the Invacare Service Parts Department. Refer to the Invacare Website under "Product Literature Search". Enter the part number in the "Keywords" field and download a free PDF version copy.