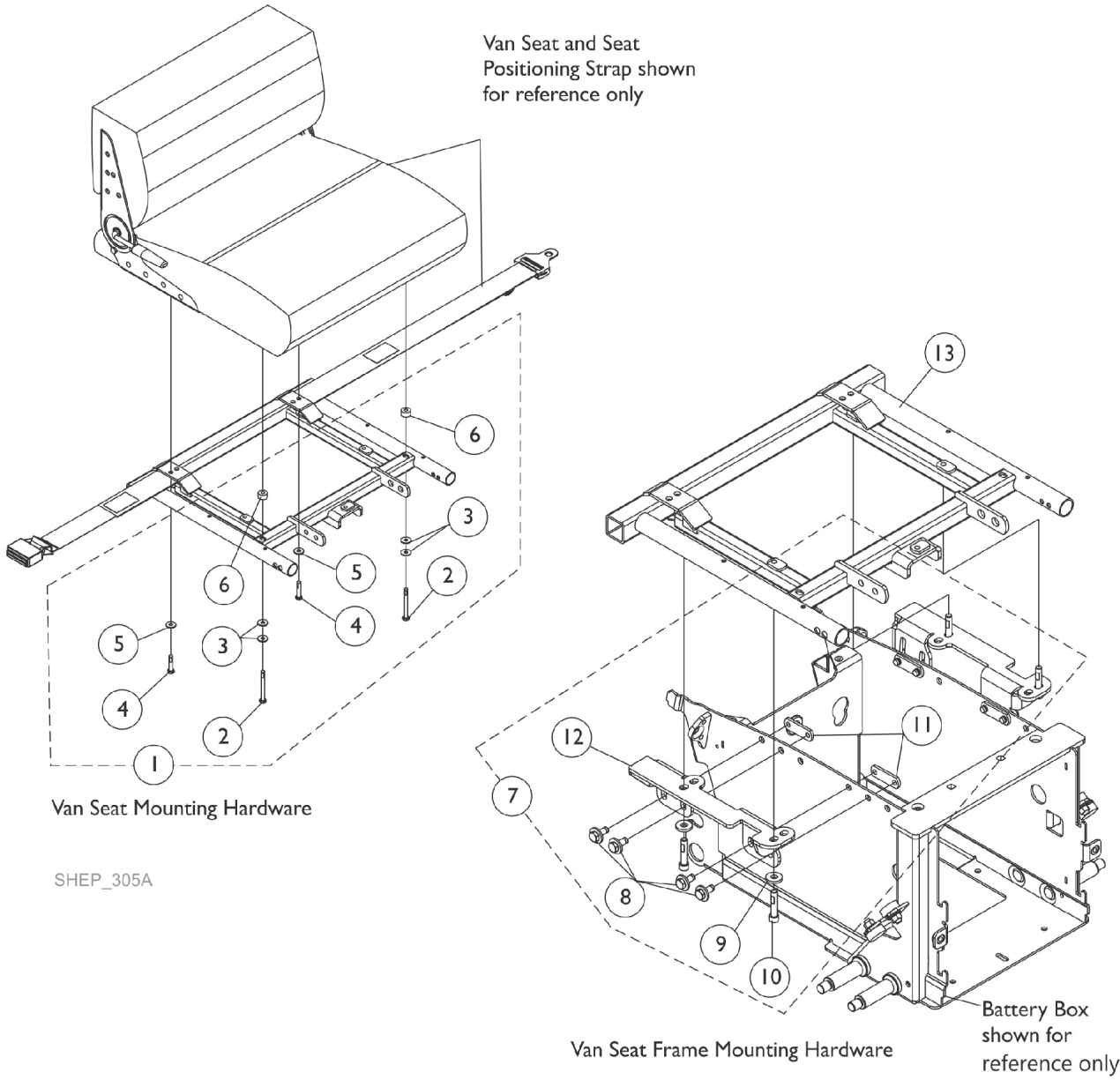


Van Seat Frame and Hardware



SHEP_305A

Van Seat Frame and Hardware

Item Number	Note	Part Number	Description	Quantity Per	
				Package	Assembly
1	A	1147626	Kit, Captain Seat Mounting Hardware	1	1
2			Screw, Hex Head Cap w/ Patch (1/4-20 x 2-1/4")	1	2
3			Washer, Steel (1/4 x 5/8 x 3/32")	1	4
4			NLA - Screw, Hex Head Cap w/ Patch (1/4-20 x 1")	1	2
5			Washer (1/4 x 23/32 x 1/16")	1	2
6			NLA - Spacer (1/4 x 5/8 x 3/8")	1	2
7	B	1147954	Kit, Van Seat Frame Mounting Hardware (Non-Elevate)	1	1
8			Screw, Hex Head SEMS w/ Patch (5/16-18 x 3/4")	1	8
9			Washer, Flat (21/64 x 53/64 x 7/64")	1	4
10			NLA - Screw, Socket Head w/ Patch (5/16-18 x 1-1/2")	1	4
11			Nut, Weld (5/16-18 x 1-3/8" Spacing)	1	4
12			NLA - Bracket, Van Seat Mounting, Black - Right	1	1
12			NLA - Bracket, Van Seat Mounting, Black - Left	1	1
13		1147088	Frame, Van Seat, Black (16" W)	1	1
13		1147073	Frame, Van Seat, Black (18" W)	1	1
13		1147086	Frame, Van Seat, Black (20" W)	1	1
13		1147082	Frame, Van Seat, Black (22" W)	1	1

NOTE: A - Includes items 2-6
B - Includes items 8-12