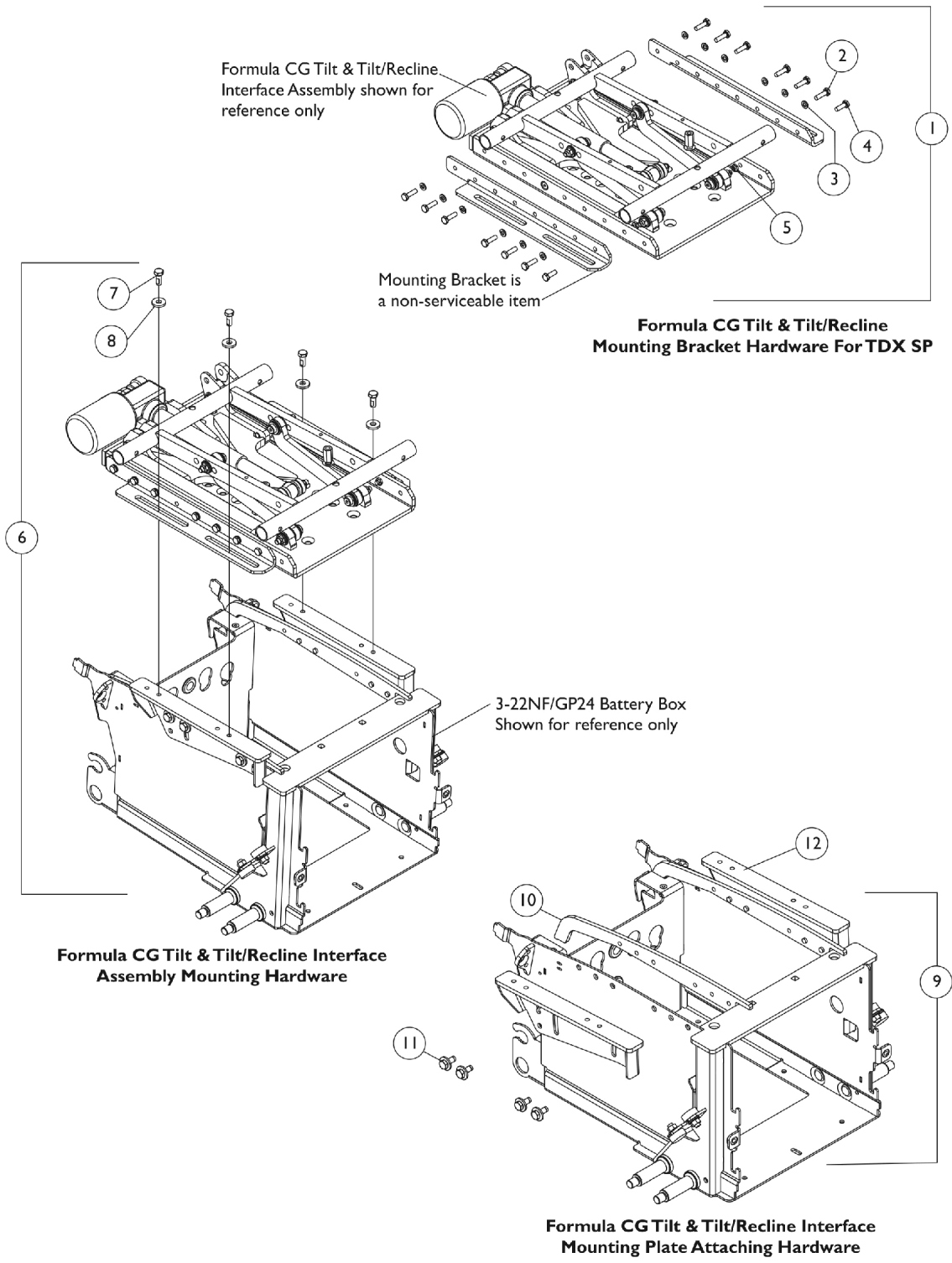


# Seat Frame Mounting Hardware & Interface Mtg. Plates (CGT/CGTR) For TDX SP/SP-GT w/ 3-22NF/GP24 Batteries (Before 7/14/11)



## Seat Frame Mounting Hardware & Interface Mtg. Plates (CGT/CGTR) For TDX SP/SP-GT w/ 3-22NF/GP24 Batteries (Before 7/14/11)

Item Number	Note	Part Number	Description	Quantity Per	
				Package	Assembly
1	A	1121713-NLA	NLA - Kit, Formula CG Tilt & Tilt/Recline Mounting Bracket Hardware	1	1
2			Screw, Hex Head (1/4-20 x 7/8")	1	12
3			Lockwasher, Split (1/4")	1	12
4			NLA - Bolt, Hex Head Cap (1/4-20 x 3/4")	1	2
5			Locknut (1/4-20)	1	2
6	B	1147142	Kit, Formula CGT/CGR/CGTR Interface Asbly. Mtg. Hdw. (For TDX SP w/ GP 24 Batteries Less Vent Option)	1	1
7			Screw, Hex Head w/ Patch (5/16-18 x 3/4")	1	4
8			Washer, Flat (21/64 x 53/64 x 7/64")	1	4
6		1147146-NLA	NLA - Kit, Formula CG Tilt, Recline & Tilt/Recline Interface Asbly. Mtg. Hdw. (For TDX SP w/ GP 24 Batteries and Vent Option)	1	1
7			NLA - Screw, Socket Head (5/16-18 x 3/4")	1	4
8			Washer, Flat (21/64 x 53/64 x 7/64")	1	4
9	C	1147130-NLA	Kit, Interface Mounting Plate Hardware	1	1
10			Plate, Nut	1	2
11			Screw, Hex Head SEMS w/ Patch (5/16-18 x 3/4")	1	8
12	D	1147111-NLA	NLA - Plate, Low Interface Mounting - Right	1	1
12	D	1147112-NLA	NLA - Plate, Low Interface Mounting - Left	1	1
12	E	1148019-NLA	NLA - Plate, Medium Interface Mounting - Right	1	1
12	E	1148020-NLA	NLA - Plate, Medium Interface Mounting - Left	1	1
12	F	1148021-NLA	NLA - Plate, High Interface Mounting - Right	1	1
12	F	1148022-NLA	NLA - Plate, High Interface Mounting - Left	1	1
NOTE: A - Includes items 2-5 B - Includes items 7 and 8 C - Includes items 10 and 11 D - Low Seat-To-Floor = 17.5" at 0 degrees E - Medium Seat-To-Floor = 18.5" at 0 degrees F - High Seat-To-Floor = 19.5" at 0 degrees					