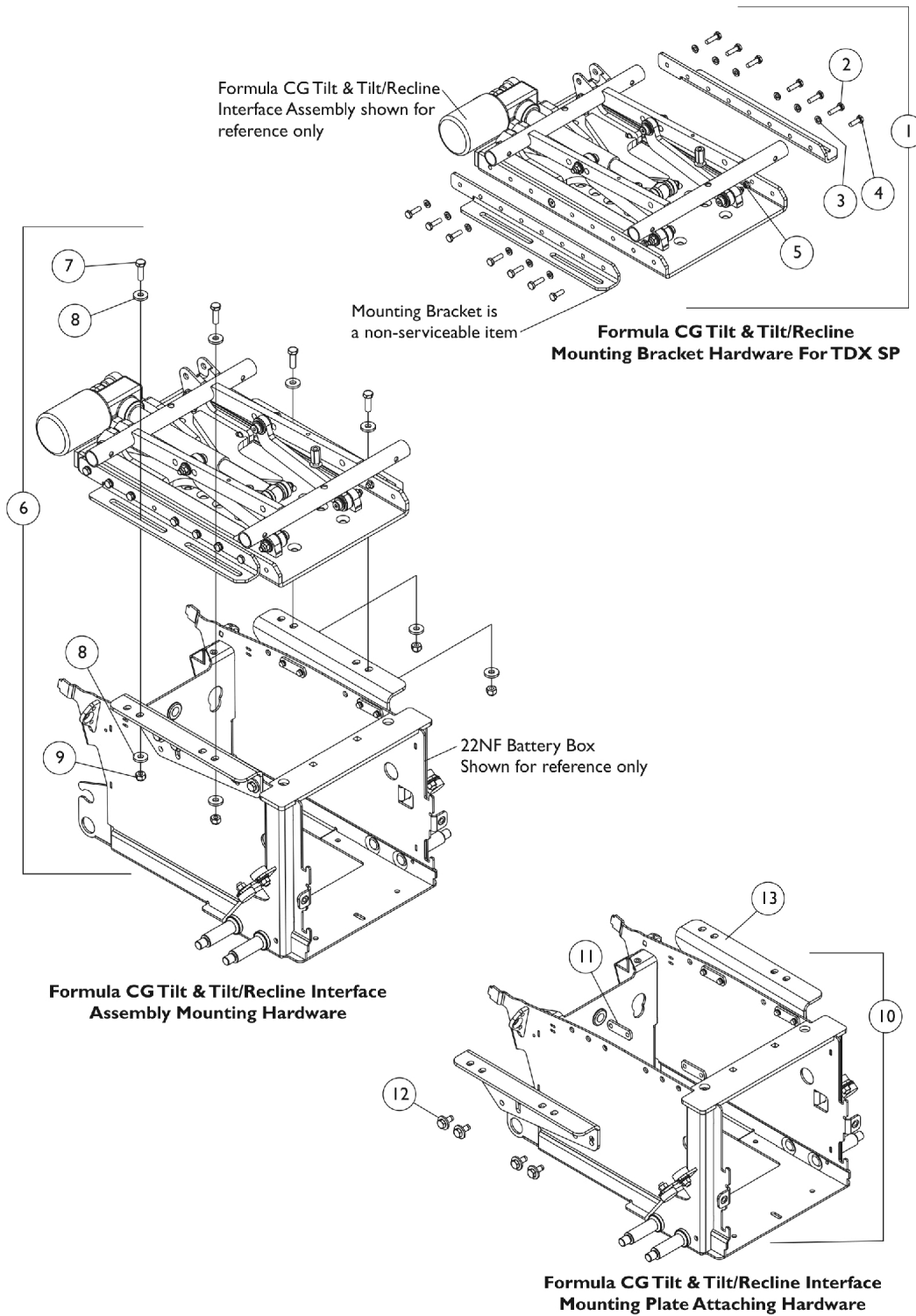


# Seat Frame Mounting Hardware & Interface Mtg. Plates (CGT/CGTR) For TDX SP/SP-GT w/ 22NF Batteries Before 7/14/11



## Seat Frame Mounting Hardware & Interface Mtg. Plates (CGT/CGTR) For TDX SP/SP-GT w/ 22NF Batteries Before 7/14/11

Item Number	Note	Part Number	Description	Quantity Per	
				Package	Assembly
1	A	1121713-NLA	NLA - Kit, Formula CG Tilt & Tilt/Recline Mounting Bracket Hardware	1	1
2			Screw, Hex Head (1/4-20 x 7/8")	1	12
3			Lockwasher, Split (1/4")	1	12
4			NLA - Bolt, Hex Head Cap (1/4-20 x 3/4")	1	2
5			Locknut (1/4-20)	1	2
6	B	1121699	Kit, Formula CG Tilt, Recline & Tilt/Recline Interface Asbly. Mtg. Hdwr. (For TDX SP w/ 22NF Batteries)	1	1
7			Screw, Hex Head (5/16-18 x 1")	1	4
8			Washer, Flat (21/64 x 53/64 x 7/64")	1	8
9			Locknut, High Profile (5/16-18)	1	4
10	C	1121700	Kit, Interface Mounting Plate Attaching Hardware	1	1
11			Nut, Weld (5/16-18 x 1-3/8" Spacing)	1	4
12			Screw, Hex Head SEMS w/ Patch (5/16-18 x 3/4")	1	8
13	D	1121697-NLA	NLA - Plate, Low Interface Mounting - Right	1	1
13	D	1121698-NLA	NLA - Plate, Low Interface Mounting - Left	1	1
13	E	1148011-NLA	NLA - Plate, Medium Interface Mounting - Right	1	1
13	E	1148012-NLA	NLA - Plate, Medium Interface Mounting - Left	1	1
13	F	1148013-NLA	NLA - Plate, High Interface Mounting - Right	1	1
13	F	1148014-NLA	NLA - Plate, High Interface Mounting - Left	1	1
NOTE: A - Includes items 2-5 B - Includes items 7-9 C - Includes items 11 and 12 D - Low Seat-To-Floor = 17.5" at 0 degrees E - Medium Seat-To-Floor = 18.5" at 0 degrees F - High Seat-To-Floor = 19.5" at 0 degrees					