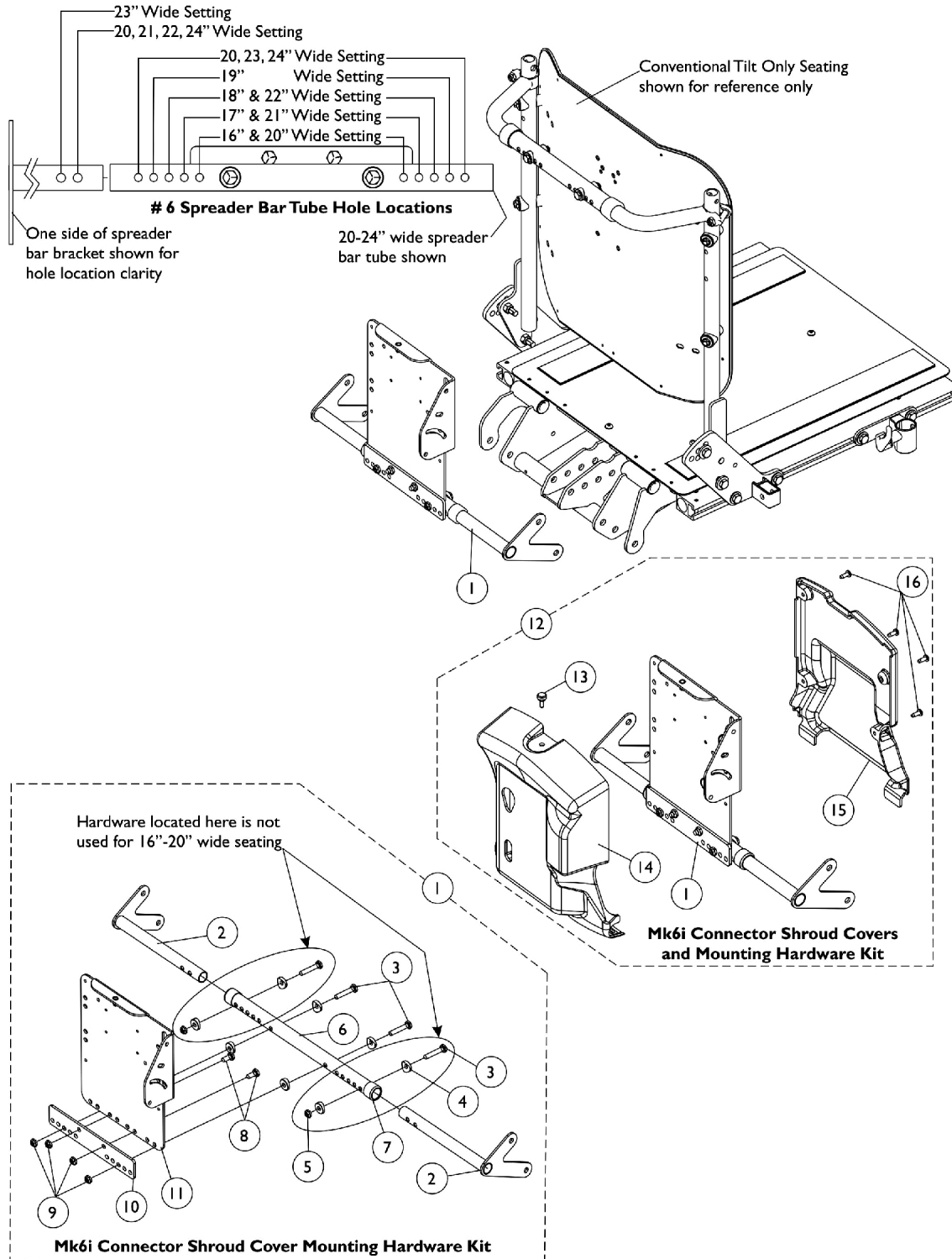


# Shroud Covers Before 3/1/07, MK6i Connector Formula Conventional Tilt, Tilt w/ BPO Option or Tilt-elevate

**NOTE: MK6i connectors are bundled and cable-tied to the MK6i Connector Shroud Mounting Tray Assembly item #11**



# Shroud Covers Before 3/1/07, MK6i Connector

## Formula Conventional Tilt, Tilt w/ BPO Option or Tilt-elevate

**NOTE: MK6i connectors are bundled and cable-tied to the MK6i Connector Shroud Mounting Tray  
Assembly item #11**

Item Number	Note	Part Number	Description	Quantity Per	
				Package	Assembly
1	A	1140266-NLA	NLA - Kit, TRECM/TAC/MK6i Connector Shroud Mtg. Hdwr. 16-20" Wide For Conventional Tilt Only	1	1
2			Bracket, Spreader Bar, Black - Right	1	1
2			Bracket, Spreader Bar, Black - Left	1	1
3			Screw, Hex Head (1/4-20 x 1-1/2")	1	2
4			Spacer, Coved (1/4 x 11/16 x 1/2")	1	4
6			Tube, Spreader Bar, Black (16 - 20" W)	1	1
7			Collar, Anti-Rattle (7/8")	1	2
8			Screw, Hex Head (1/4-20 x 5/8")	1	2
9			Locknut (1/4-20)	1	4
10			Plate, Mounting	1	1
11			NLA - TRECM/SAC/TAC/MK6i Connector Shroud Mounting Tray Assembly	1	1
1	B	1140267-NLA	NLA - Kit, TRECM/TAC/MK6i Connector Shroud Mtg. Hdwr. 20-24" Wide For Conventional Tilt Only	1	1
2			Bracket, Spreader Bar, Black - Right	1	1
2			Bracket, Spreader Bar, Black - Left	1	1
3			Screw, Hex Head (1/4-20 x 1-1/2")	1	4
4			Spacer, Coved (1/4 x 11/16 x 1/2")	1	8
5			Locknut (1/4-20)	1	2
6			Tube, Spreader Bar, Black (20 - 24" W)	1	1
7			Collar, Anti-Rattle (7/8")	1	2
8			Screw, Hex Head (1/4-20 x 5/8")	1	2
9			Locknut (1/4-20)	1	4
10			Plate, Mounting	1	1
11		NLA - TRECM/SAC/TAC/MK6i Connector Shroud Mounting Tray Assembly	1	1	
12	C	1140268	NLA - Kit, TRECM/TAC/MK6i Connector Shrouds and Mtg. Hdwr. 16-20" Wide For Conventional Tilt Only	1	1
			NLA - Screw, Phillips Pan Head w/ Patch (#10-32 x 3/8")	1	2
2			Bracket, Spreader Bar, Black - Right	1	1
2			Bracket, Spreader Bar, Black - Left	1	1
3			Screw, Hex Head (1/4-20 x 1-1/2")	1	2
4			Spacer, Coved (1/4 x 11/16 x 1/2")	1	4
6			Tube, Spreader Bar, Black (16 - 20" W)	1	1
7			Collar, Anti-Rattle (7/8")	1	2
8			Screw, Hex Head (1/4-20 x 5/8")	1	2
9			Locknut (1/4-20)	1	4
10			Plate, Mounting	1	1
11			NLA - TRECM/SAC/TAC/MK6i Connector Shroud Mounting Tray Assembly	1	1
13			Screw, Thumb (#10-32 x 1/2")	1	1
14			NLA - Shroud, Cover	1	1

# Shroud Covers Before 3/1/07, MK6i Connector Formula Conventional Tilt, Tilt w/ BPO Option or Tilt-elevate

**NOTE: MK6i connectors are bundled and cable-tied to the MK6i Connector Shroud Mounting Tray  
Assembly item #11**

Item Number	Note	Part Number	Description	Quantity Per	
				Package	Assembly
15			Shroud, Back	1	1
16			Screw, Phillips Pan Head Tap (#10-32 x 1/2")	1	4
12	D	1140269	NLA - Kit, TRECM/TAC/MK6i Connector Shrouds and Mtg. Hdw. 20-24" Wide For Conventional Tilt Only	1	1
			NLA - Screw, Phillips Pan Head w/ Patch (#10-32 x 3/8")	1	2
2			Bracket, Spreader Bar, Black - Right	1	1
2			Bracket, Spreader Bar, Black - Left	1	1
3			Screw, Hex Head (1/4-20 x 1-1/2")	1	4
4			Spacer, Coved (1/4 x 11/16 x 1/2")	1	8
5			Locknut (1/4-20)	1	2
6			Tube, Spreader Bar, Black (20 - 24" W)	1	1
7			Collar, Anti-Rattle (7/8")	1	2
8			Screw, Hex Head (1/4-20 x 5/8")	1	2
9			Locknut (1/4-20)	1	4
10			Plate, Mounting	1	1
11			NLA - TRECM/SAC/TAC/MK6i Connector Shroud Mounting Tray Assembly	1	1
13			Screw, Thumb (#10-32 x 1/2")	1	1
14			NLA - Shroud, Cover	1	1
15			Shroud, Back	1	1
16			Screw, Phillips Pan Head Tap (#10-32 x 1/2")	1	4
	E	1095502-NLA	NLA - Package, Tie Wrap (11-1/2" L)	10	1
<p>NOTE: A - Includes items 2-4 and 6-11            B - Includes items 2-12            C - Includes (part #1079316 Screw - Not Shown and not used for MK6i application) and items 2-4, 6-11 and 13-16            D - Includes (part #1079316 Screw - Not Shown and not used for MK6i application) and items 2-11 and 13-16            E - Not Shown</p>					