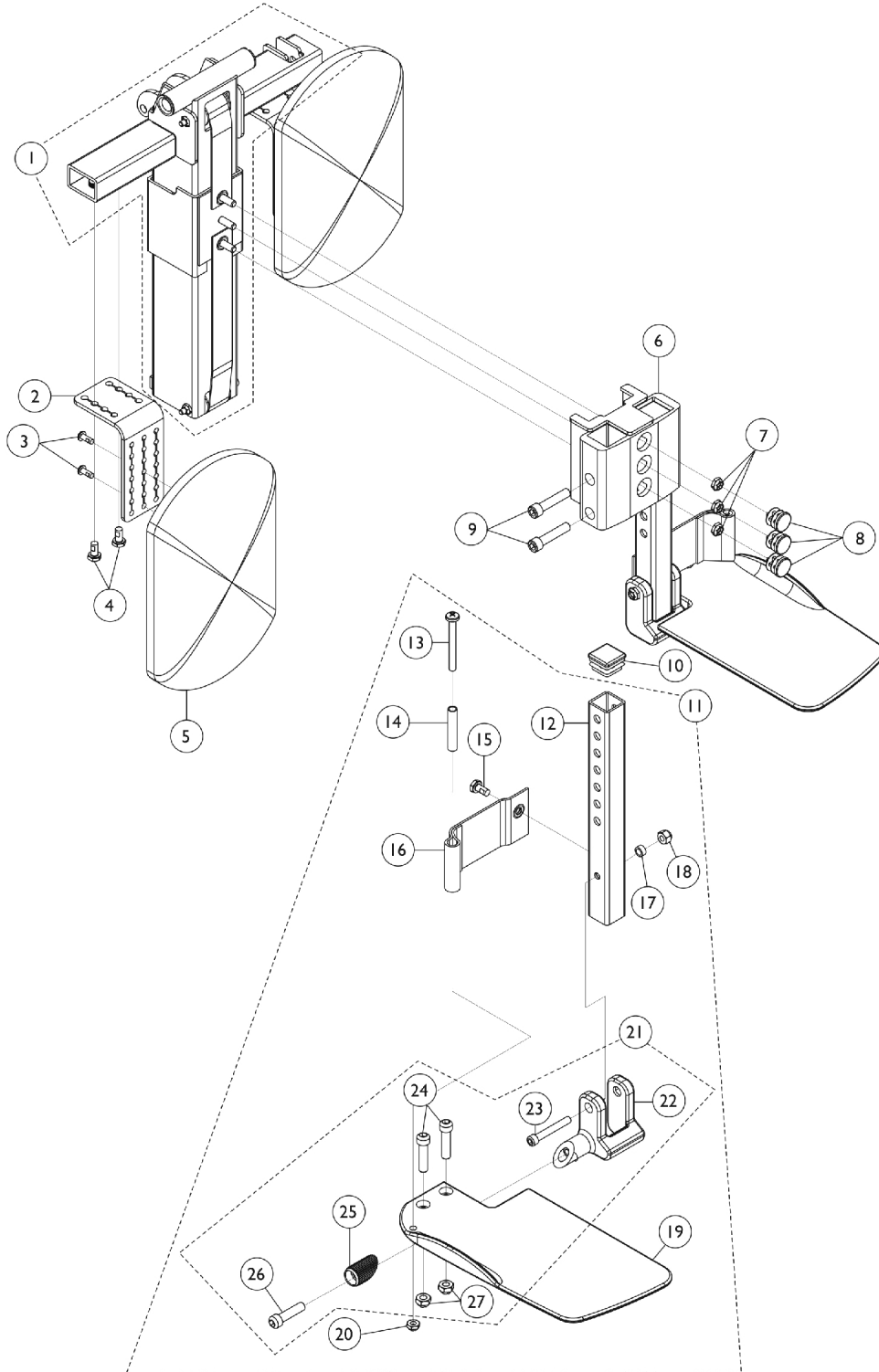


Power Center Mount Rigging - PCTMT/PCTMT-L (PCTMT = 10"-13" Range) & (PCTMT-L = 14"-17" Range) Conventional and Contoura Seating



Power Center Mount Rigging - PCTMT/PCTMT-L
(PCTMT = 10"-13" Range) & (PCTMT-L = 14"-17" Range)
Conventional and Contoura Seating

Item Number	Note	Part Number	Description	Quantity Per	
				Package	Assembly
1		1125683-NLA	NLA - Bottom Pulley Center Carriage Assembly	1	1
2		1124754-NLA	NLA - Bracket, Calf Pad Mounting, Black	1	2
3		1134086-NLA	NLA - Screw, Socket Button Head w/ Patch (#10-32 x 1/2")	1	4
4		1078214	Screw, Hex Head w/ Patch (1/4-20 x 1/2")	1	4
5		8881091764	Pad, Legrest, Vinyl - Right/Left	1	2
6		1125628-NLA	NLA - Carriage, Footplate	1	1
7		1025195	Locknut (1/4-20)	1	3
8		1027097	Plug Button, Black (3/4")	1	3
9		1021344	Screw, Socket Head (5/16-18 x 1-1/2")	1	4
10		1096795-NLA	NLA - Plug Button, Square, Black (1")	1	2
11	A,C	1123034-NLA	NLA - Extension Tube and Footplate Assembly w/ Heel Loop, Short - Right	1	1
11	A,C	1123035-NLA	NLA - Extension Tube and Footplate Assembly w/ Heel Loop, Short - Left	1	1
11	A,C	1123036-NLA	NLA - Extension Tube and Footplate Assembly w/ Heel Loop, Long - Right	1	1
11	A,C	1123037-NLA	NLA - Extension Tube and Footplate Assembly w/ Heel Loop, Long - Left	1	1
12		1123044	Tube, Footrest Extension, Short (CTMTJ/CTMT-FJ = 9-1/4 - 12") (CTMT/CTMT-F = 12-1/4 - 15") (PCTMT = 10 - 13")	1	1
12		1123045-NLA	NLA - Tube, Footrest Extension, Long (CTMT-L/CTMT-FL = 16 - 18-3/4") (PCTMT-L = 1 - 17")	1	1
13		1021421-NLA	NLA - Screw, Phillips Pan Head (1/4-20 x 2-1/4")	1	2
14		1006477-NLA	NLA - Spacer (1/4 x 11/32 x 1-3/4")	1	2
15		1078214	Screw, Hex Head w/ Patch (1/4-20 x 1/2")	1	2
16		1121996-NLA	NLA - Heel Loop, Center Mount Rigging	1	2
17		1047449-NLA	NLA - Spacer (1/4 x 3/8 x 3/16")	1	2
18		1065362	Locknut (1/4-28)	1	2
19		1113606-NLA	NLA - Footplate, Center Mount Rigging, Black - Right (5-1/4" W x 9-5/8" L)	1	1
19		1113607-NLA	NLA - Footplate, Center Mount Rigging, Black - Left (5-1/4" W x 9-5/8" L)	1	1
20		1025195	Locknut (1/4-20)	1	1
21	B	1120345-NLA	NLA - Center Mount Rigging Footplate Mounting Hardware - Right	1	1
21	B	1121123-NLA	NLA - Center Mount Rigging Footplate Mounting Hardware - Left	1	1
22		1113384-NLA	NLA - Hinge, Adjustable Angle - Right	1	1
22		1113385-NLA	NLA - Hinge, Adjustable Angle - Left	1	1
23		1096810	Screw, Socket Head (1/4-28 x 1-3/4")	1	2
24		1021343	Screw, Socket Head (5/16-18 x 1-1/4")	1	2
25		1113530	Attachment, Hinge	1	2

Power Center Mount Rigging - PCTMT/PCTMT-L (PCTMT = 10"-13" Range) & (PCTMT-L = 14"-17" Range) Conventional and Contoura Seating

Item Number	Note	Part Number	Description	Quantity Per	
				Package	Assembly
26		1021343	Screw, Socket Head (5/16-18 x 1-1/4")	1	2
27		1108122-NLA	NLA - Locknut (5/16-18)	1	2
NOTE: A - Includes items 12-21 B - Includes items 22-27 C - Item #11 - Footplate design revised 2/28/07 to accommodate items 24 & 27. Replace footplates in pairs and order new footplate hardware for chairs mfg. before 2/28/07.					