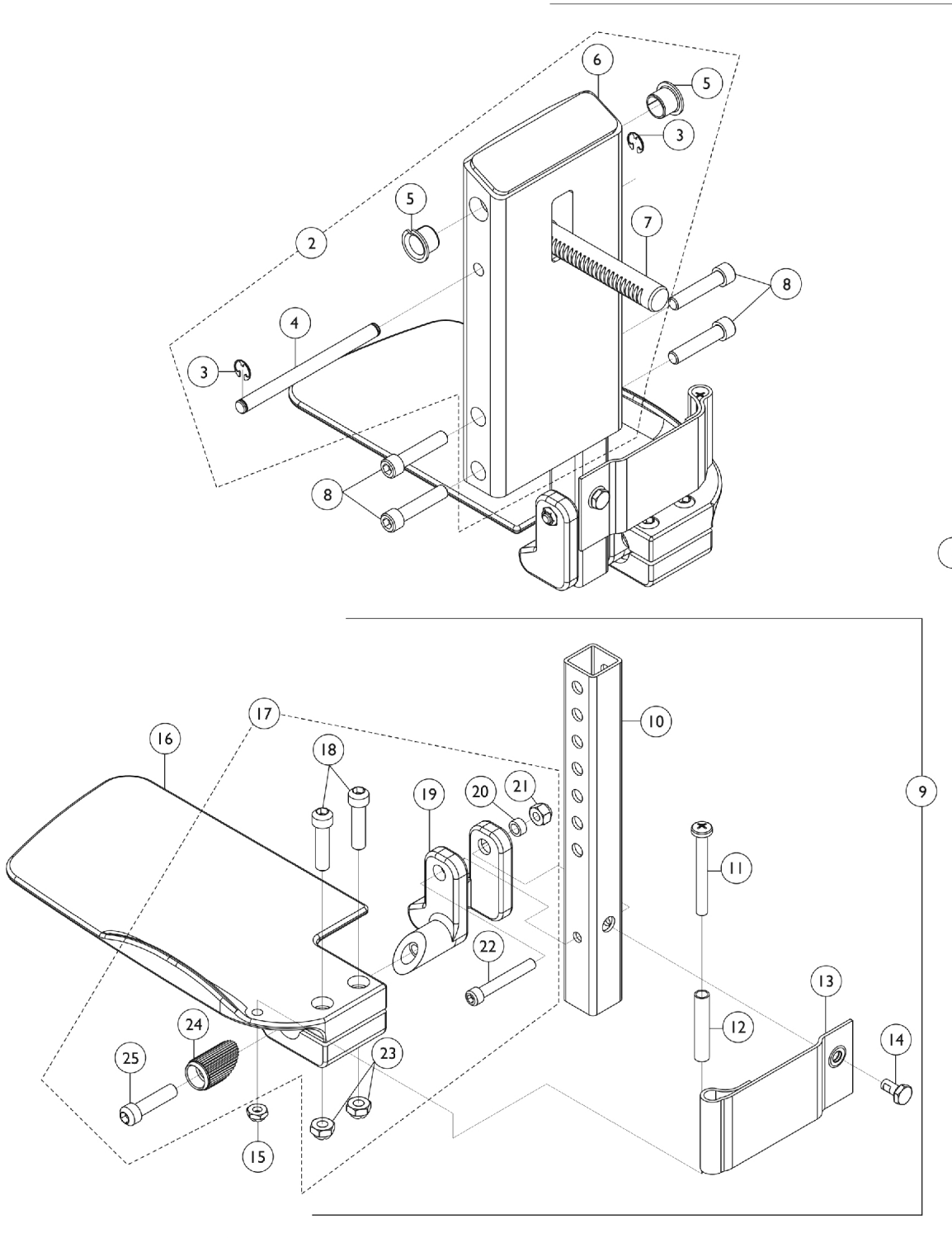


**Front Rigging - Center Mount Rigging**  
**(CTMT/CTMT-F/CTMT-L/CTMT-FL) - Before 12/10/08**  
**(CTMT/CTMT-F = 12-1/4" - 15" Range) & (CTMT-L/CTMT-FL = 16" - 18-3/4"**  
**Range)**



**Front Rigging - Center Mount Rigging  
(CTMT/CTMT-F/CTMT-L/CTMT-FL) - Before 12/10/08  
(CTMT/CTMT-F = 12-1/4" - 15" Range) & (CTMT-L/CTMT-FL = 16" - 18-3/4"  
Range)**

Item Number	Note	Part Number	Description	Quantity Per	
				Package	Assembly
1	A	See Note	See Footnote	1	1
2	B	1120346-NLA	NLA - Legrest Support Assembly, Center Mount, Black	1	1
3		1113376-NLA	NLA - Ring, Retainer (1/4 x 1/2 x 1/64")	1	2
4		1113373-NLA	NLA - Pin, Angle, Adjustable, ASBA	1	1
5		1110669	Bearing, Flange (1/2 x 13/16 x 1/2")	1	2
6	F	1113609-NLA	NLA - Support, Center Mount Rigging Legrest, Black	1	1
7		1113372	Rack, Center Mount Rigging Angle Adjustable	1	1
8		1021344	Screw, Socket Head (5/16-18 x 1-1/2")	1	4
9	C	1123034-NLA	NLA - Extension Tube and Footplate Assembly w/ Heel Loop, Short - Right	1	1
9	C	1123035-NLA	NLA - Extension Tube and Footplate Assembly w/ Heel Loop, Short - Left	1	1
9	C	1123036-NLA	NLA - Extension Tube and Footplate Assembly w/ Heel Loop, Long - Right	1	1
9	C	1123037-NLA	NLA - Extension Tube and Footplate Assembly w/ Heel Loop, Long - Left	1	1
10		1123044	Tube, Footrest Extension, Short (CTMTJ/CTMT-FJ = 9-1/4 - 12") (CTMT/CTMT-F = 12-1/4 - 15") (PCTMT = 10 - 13")	1	1
10		1123045-NLA	NLA - Tube, Footrest Extension, Long (CTMT-L/CTMT-FL = 16 - 18-3/4") (PCTMT-L = 1 - 17")	1	1
11		1021421-NLA	NLA - Screw, Phillips Pan Head (1/4-20 x 2-1/4")	1	2
12		1006477-NLA	NLA - Spacer (1/4 x 11/32 x 1-3/4")	1	2
13		1121996-NLA	NLA - Heel Loop, Center Mount Rigging	1	2
14		1078214	Screw, Hex Head w/ Patch (1/4-20 x 1/2")	1	2
15		1025195	Locknut (1/4-20)	1	2
16	E	1113606-NLA	NLA - Footplate, Center Mount Rigging, Black - Right (5-1/4" W x 9-5/8" L)	1	1
16	E	1113607-NLA	NLA - Footplate, Center Mount Rigging, Black - Left (5-1/4" W x 9-5/8" L)	1	1
17	D	1120345-NLA	NLA - Center Mount Rigging Footplate Mounting Hardware - Right	1	1
17	D	1121123-NLA	NLA - Center Mount Rigging Footplate Mounting Hardware - Left	1	1
18		1021343	Screw, Socket Head (5/16-18 x 1-1/4")	1	2
19		1113384-NLA	NLA - Hinge, Adjustable Angle - Right	1	1
19		1113385-NLA	NLA - Hinge, Adjustable Angle - Left	1	1
20		1047449-NLA	NLA - Spacer (1/4 x 3/8 x 3/16")	1	1
21		1065362	Locknut (1/4-28)	1	1
22		1096810	Screw, Socket Head (1/4-28 x 1-3/4")	1	1
23		1108122-NLA	NLA - Locknut (5/16-18)	1	2
24		1113530	Attachment, Hinge	1	1

**Front Rigging - Center Mount Rigging  
 (CTMT/CTMT-F/CTMT-L/CTMT-FL) - Before 12/10/08  
 (CTMT/CTMT-F = 12-1/4" - 15" Range) & (CTMT-L/CTMT-FL = 16" - 18-3/4"  
 Range)**

Item Number	Note	Part Number	Description	Quantity Per	
				Package	Assembly
25		1021343	Screw, Socket Head (5/16-18 x 1-1/4")	1	1
NOTE: A - As of 12/10/08, item 1 is no longer available. Individual parts may be ordered separately. B - Includes items 3-7 C - Includes items 10-16 & 17 D - Includes items 18-25 E - Item #16 - Footplate design revised 2/28/07 to accommodate items 18 & 23. Replace footplates in pairs and order new footplate hardware for chairs mfg. before 2/28/07. F - No Longer Available individually. See part # 1123046 for replacement.					