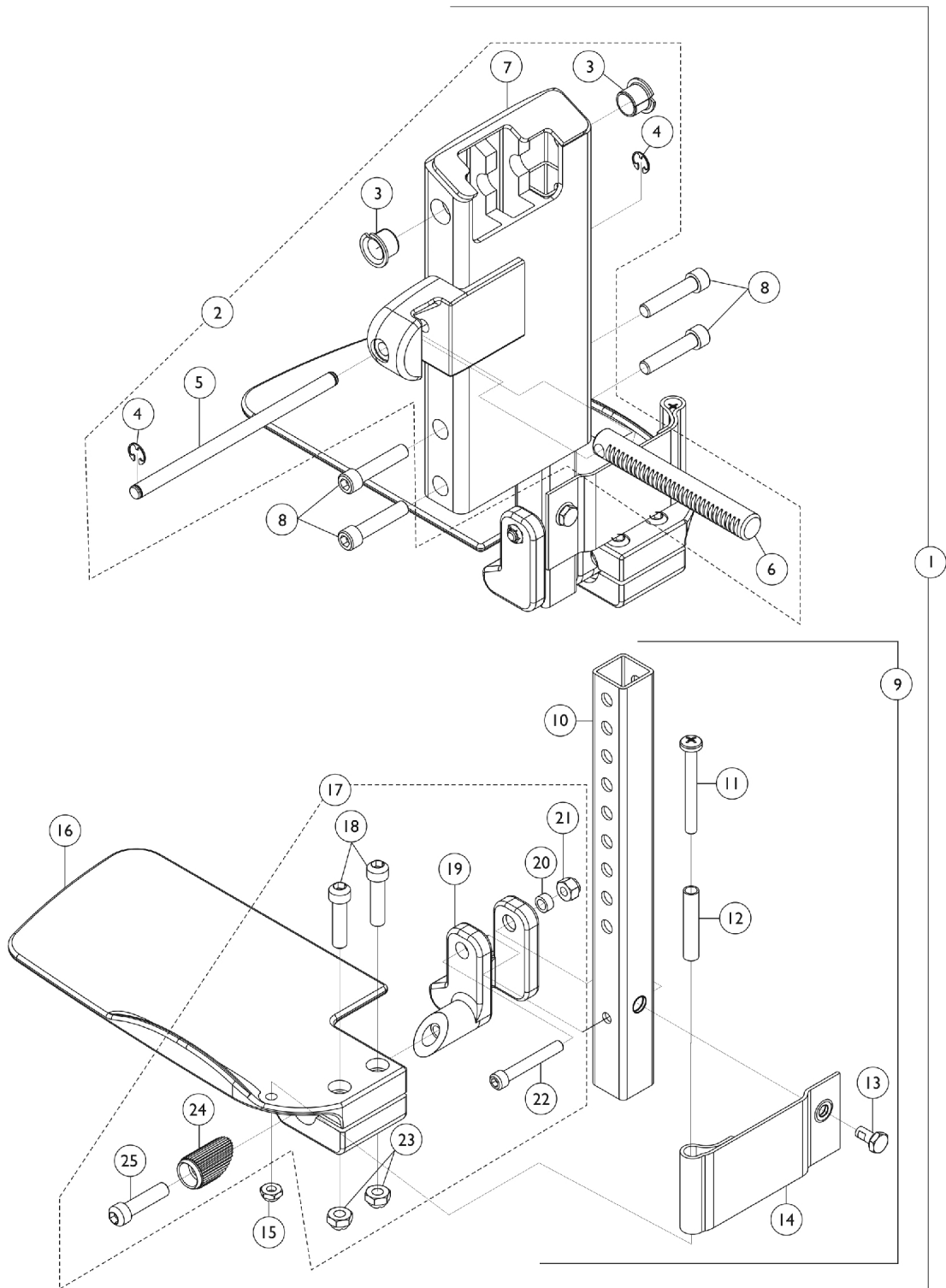


Front Rigging - Center Mount Riggings (CTMT-T/CTMT-TL) (CTMT-T = 12-1/4" - 16-1/2" Range) & (CTMT-TL = 17-1/4" - 21-3/4" Range)



Front Rigging - Center Mount Riggings (CTMT-T/CTMT-TL) (CTMT-T = 12-1/4" - 16-1/2" Range) & (CTMT-TL = 17-1/4" - 21-3/4" Range)

Item Number	Note	Part Number	Description	Quantity Per	
				Package	Assembly
1	A	1117260-NLA	NLA - Center Mount Rigging, 2GTR (12-1/4 - 16-1/2" Range)	1	1
1	A	1117261-NLA	NLA - Center Mount Rigging, 2GTR (17-1/4 - 21-3/4" Range)	1	1
2		1120347-NLA	NLA - Legrest Support Assembly, Center Mount Rigging, 2GTR	1	1
3		1110669	Bearing, Flange (1/2 x 13/16 x 1/2")	1	2
4		1113376-NLA	NLA - Ring, Retainer (1/4 x 1/2 x 1/64")	1	2
5		1113373-NLA	NLA - Pin, Angle, Adjustable, ASBA	1	1
6		1113372	Rack, Center Mount Rigging Angle Adjustable	1	1
7	E	1117238-NLA	NLA - Support, Legrest Center Mount, 2GTR, Black	1	1
8		1021344	Screw, Socket Head (5/16-18 x 1-1/2")	1	4
9	B	1123038-NLA	NLA - Extension Tube and Footplate Assembly w/ Heel Loop, Short - Right	1	1
9	B	1123039-NLA	NLA - Extension Tube and Footplate Assembly w/ Heel Loop, Short - Left	1	1
9	B	1123040-NLA	NLA - Extension Tube and Footplate Assembly w/ Heel Loop, Long - Right	1	1
9	B	1123041-NLA	NLA - Extension Tube and Footplate Assembly w/ Heel Loop, Long - Left	1	1
10		1123046-NLA	NLA - Tube, Footrest Extension, Short (12-1/4 - 16-1/2")	1	1
10		1123047-NLA	NLA - Tube, Footrest Extension, Long (17-1/4 - 21-3/4")	1	1
11		1021421-NLA	NLA - Screw, Phillips Pan Head (1/4-20 x 2-1/4")	1	2
12		1006477-NLA	NLA - Spacer (1/4 x 11/32 x 1-3/4")	1	2
13		1078214	Screw, Hex Head w/ Patch (1/4-20 x 1/2")	1	2
14		1121996-NLA	NLA - Heel Loop, Center Mount Rigging	1	2
15		1025195	Locknut (1/4-20)	1	2
16	D	1113606-NLA	NLA - Footplate, Center Mount Rigging, Black - Right (5-1/4" W x 9-5/8" L)	1	1
16	D	1113607-NLA	NLA - Footplate, Center Mount Rigging, Black - Left (5-1/4" W x 9-5/8" L)	1	1
17	C	1120345-NLA	NLA - Center Mount Rigging Footplate Mounting Hardware - Right	1	1
17	C	1121123-NLA	NLA - Center Mount Rigging Footplate Mounting Hardware - Left	1	1
18		1021343	Screw, Socket Head (5/16-18 x 1-1/4")	1	2
19		1113384-NLA	NLA - Hinge, Adjustable Angle - Right	1	1
19		1113385-NLA	NLA - Hinge, Adjustable Angle - Left	1	1
20		1047449-NLA	NLA - Spacer (1/4 x 3/8 x 3/16")	1	1
21		1065362	Locknut (1/4-28)	1	1
22		1096810	Screw, Socket Head (1/4-28 x 1-3/4")	1	1
23		1108122-NLA	NLA - Locknut (5/16-18)	1	2
24		1113530	Attachment, Hinge	1	1
25		1021343	Screw, Socket Head (5/16-18 x 1-1/4")	1	1

Front Rigging - Center Mount Riggings (CTMT-T/CTMT-TL) (CTMT-T = 12-1/4" - 16-1/2" Range) & (CTMT-TL = 17-1/4" - 21-3/4" Range)

NOTE: A - Includes items 2, 8 & 9
B - Includes items 16, 17 & 10-14
C - Includes items 18-25
D - Item #16 - Footplate design revised 2/28/07 to accommodate items 18 & 23. Replace footplates in pairs and order new footplate hardware for chairs mfg. before 2/28/07.
E - Part #1117238 is no longer available as a service part individually. See item 2 as a replacement.