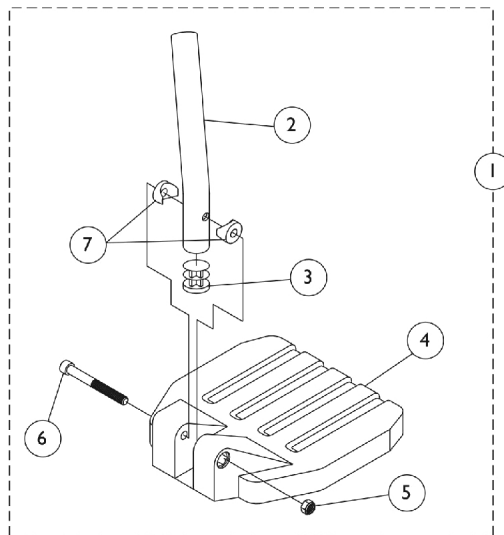
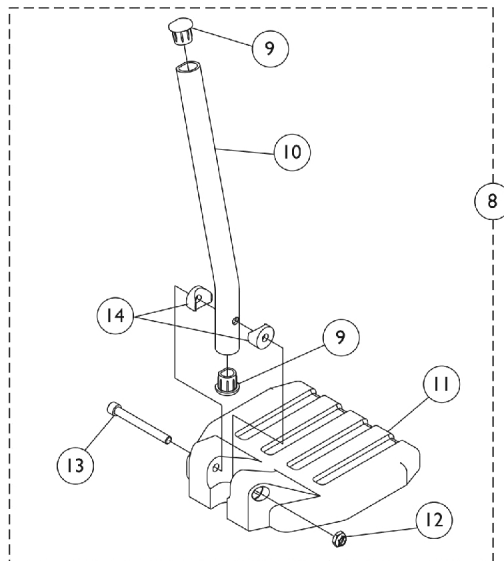


Pivot Tube w/ Footplate Assembly - 1651 Composite



Used on 60 Degree and 70 Degree Footrests



Used on Wedge Style AT5044 and ELRSS Elevating Legrests

Pivot Tube w/ Footplate Assembly - 1651 Composite

Item Number	Note	Part Number	Description	Quantity Per	
				Package	Assembly
1	D	See Chart	#1 60° Non-Tapered (13-19")	1	1
1	D	See Chart	#1 70° Non Tapered (14-19")	1	1
1	D	See Chart	#1 70° Tapered (14-1/2-19-1/2")	1	1
2	A	1120382	Tube, Pivot/Slide, Curved End, Black - Long (9-7/8")	1	1
2	A	1120391	Tube, Pivot/Slide, Curved End, 2" Longer ALPT, Black (11-7/8")	1	1
2	B	1120389	Tube, Pivot/Slide, Straight, Black - Long (9-7/8")	1	1
2	B	1120390	Tube, Pivot/Slide, Straight, 2" Longer ALPT, Black (11-7/8")	1	1
3		1134426	Package, Plug Button, Black (3/4")	10	1
4		1026879	Footplate, Composite, Small, Black (6" W x 6" L)	1	1
4		1026880	Footplate, Composite, Medium, Black (7" W x 6" L)	1	1
4		1026881	Footplate, Composite, Large, Black (8" W x 6" L)	1	1
5		1025195	NLA - Locknut (1/4-20)	1	1
6		60285X006	Screw, Socket Head (1/4-20 x 2-1/4")	1	1
7		1025457	Spacer, Coved (1/4 x 3/4 x 11/32")	1	2
8	E	See Chart	#8 AT5044 & ELRSS Elevating Legrest - (16-22")	1	1
9		1134427	Package, Plug Button, Black, "D" Shaped (3/4")	10	1
10	C	1134428	Pivot/Slide Tube w/ D Insert, Black	1	1
10	C	1134429	Pivot/Slide Tube w/ D Insert, Black (2" Longer)	1	1
11		1026879	Footplate, Composite, Small, Black (6" W x 6" L)	1	1
11		1026880	Footplate, Composite, Medium, Black (7" W x 6" L)	1	1
11		1026881	Footplate, Composite, Large, Black (8" W x 6" L)	1	1
12		1025195	NLA - Locknut (1/4-20)	1	1
13		60285X006	Screw, Socket Head (1/4-20 x 2-1/4")	1	1
14		1025457	Spacer, Coved (1/4 x 3/4 x 11/32")	1	2

NOTE: A - 60° Footrests
 B - 70° Footrests
 C - AT5044 Wedge Style and ELRSS Elevating Legrests
 D - Includes items 2-7
 E - Includes items 9-14

#1 60° Non-Tapered 13-19" Curved End

Right/Left	Small Long 14" wide	Small 2" Longer 14" wide	Medium Long 15-16" wide	Medium 2" Longer 15-16" wide	Large Long 17-22" wide	Large 2" Longer 17-22" wide
Right	1028391	1120416	1028387	1120418	1028383	1120420
Left	1028392	1120417	1028388	1120419	1028384	1120421

#1 70° Non Tapered 14-19" Straight

Pivot Tube w/ Footplate Assembly - 1651 Composite

#1 70° Non Tapered

14-19"

Straight

Right/Left	Small Short 14" wide	Small 2" Longer 14" wide	Medium Short 15-16" wide	Medium 2" Longer 15-16" wide	Large Short 17-22" wide	Large 2" Longer 17-22" wide
Right	1120404	1120410	1120406	1120412	1120408	1120414
Left	1120405	1120411	1120407	1120413	1120409	1120415

#1 70° Tapered

14-1/2 - 19-1/2"

Straight

Right/Left	Small Short 16" wide	Small 2" Longer 16" wide	Medium Short 17-18" wide	Medium 2" Longer 17-18" wide	Large Short 19-22" wide	Large 2" Longer 19-22" wide
Right	1120404	1120410	1120406	1120412	1120408	1120414
Left	1120405	1120411	1120407	1120413	1120409	1120415

Pivot Tube w/ Footplate Assembly - 1651 Composite

#8 AT5044 & ELRSS Elevating Legrest -
16-22" Curved End

Right/Left	Small Long 14" wide	Small 2" Longer 14" wide	Medium Long 15-16" wide	Medium 2" Longer 15-16" wide	Large Long 17-22" wide	Large 2" Longer 17-22" wide
Right	1132078	1132107	1132080	1132109	1132082	1132111
Left	1132079	1132108	1132081	1132110	1132083	1132112