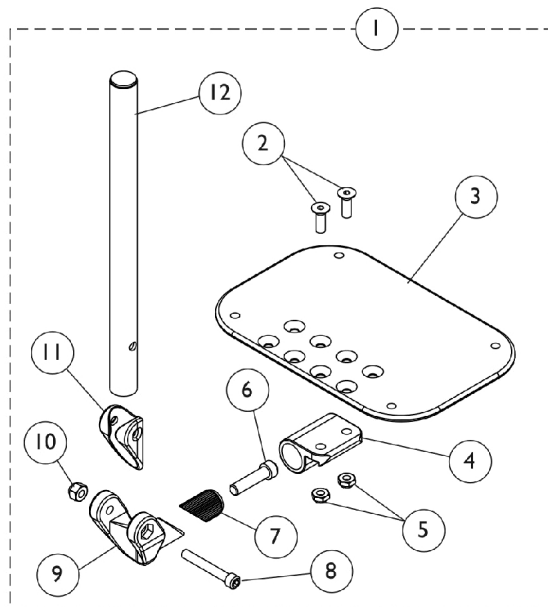
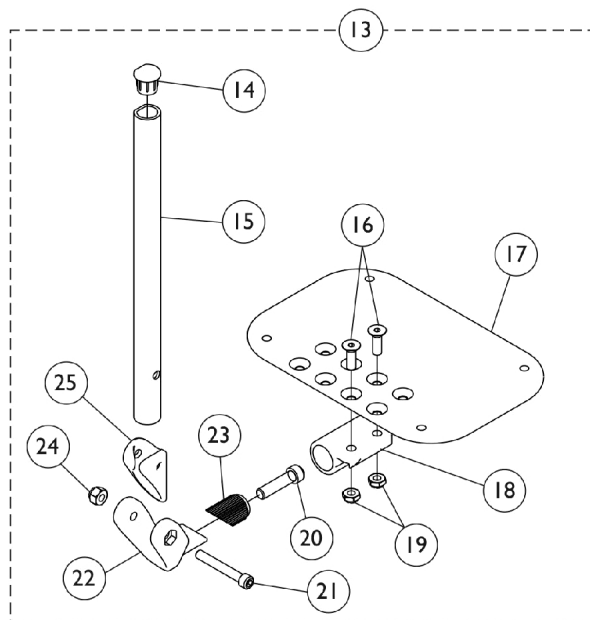


Front Riggings - Adjustable Angle Footplate Assemblies - AT5543



Used on 60 Degree and 70 Degree Footrests



Used on Wedge Style AT5044 and ELRSS Elevating Legrests

Front Riggings - Adjustable Angle Footplate Assemblies - AT5543

Item Number	Note	Part Number	Description	Quantity Per	
				Package	Assembly
1	C	See Chart	60 Degree and 70 Degree - Non Tapered Footrests	1	1
1	C	See Chart	70 Degree - Tapered Footrests	1	1
2		1113578	Screw, Socket Flat Head (1/4-28 x 3/4")	1	2
3	F	1113572	Footplate, Adjustable Angle, Medium, Black (4-1/4" W x 8" L)	1	1
3	F	1113573	Footplate, Adjustable Angle, Large, Black (5-1/4" W x 8" L)	1	1
3	F	1113574	Footplate, Adjustable Angle, Extra Large, Black (6-1/4" W x 8" L)	1	1
3	F	1113575	Footplate, Adjustable Angle, XX- Large, Black (7-1/4" W x 8" L)	1	1
4		1113528	Bracket, Adjustable Angle Footplate, Black	1	1
5		1025765	Locknut (1/4-28)	1	2
6		1021344	Screw, Socket Head (5/16-18 x 1-1/2")	1	1
7		1113530	Attachment, Hinge	1	1
8		1096810	Screw, Socket Head (1/4-28 x 1-3/4")	1	1
9		1113529	Hinge, Adjustable Angle Footrest	1	1
10		1065362	Locknut (1/4-28)	1	1
11		1114688	Spacer, Hinge, Black	1	1
12	A	1114699	Tube, Pivot/Slide, Straight, Black (10-1/4")	1	1
12	B	1114700	Tube, Pivot/Slide, Straight, 2" Longer ALPT, Black (12-1/4")	1	1
13	D	See Chart	Wedge Style AT5044 and ELRSS Elevating Legrests	1	1
14		1134427	Package, Plug Button, Black, "D" Shaped (3/4")	10	1
15	E	1134433	Pivot/Slide Tube w/ D Insert, Black	1	1
15	E	1134432	Pivot/Slide Tube w/ D Insert, Black (2" Longer)	1	1
16		1113578	Screw, Socket Flat Head (1/4-28 x 3/4")	1	2
17		1113573	Footplate, Adjustable Angle, Large, Black (5-1/4" W x 8" L)	1	1
17		1113574	Footplate, Adjustable Angle, Extra Large, Black (6-1/4" W x 8" L)	1	1
17		1113575	Footplate, Adjustable Angle, XX- Large, Black (7-1/4" W x 8" L)	1	1
18		1113528	Bracket, Adjustable Angle Footplate, Black	1	1
19		1025765	Locknut (1/4-28)	1	2
20		1021343	Screw, Socket Head (5/16-18 x 1-1/4")	1	1
21		1096810	Screw, Socket Head (1/4-28 x 1-3/4")	1	1
22		1113529	Hinge, Adjustable Angle Footrest	1	1
23		1113530	Attachment, Hinge	1	1
24		1065362	Locknut (1/4-28)	1	1
25		1114688	Spacer, Hinge, Black	1	1

Front Riggings - Adjustable Angle Footplate Assemblies - AT5543

NOTE: A - 60° and 70° Footrests
 B - ALPT 2" Longer
 C - Includes items 2-12
 D - Includes items 14-25
 E - Wedge Style AT5044 and ELRSS Elevating Legrests
 F - This footplate was revised 9/2/2008 with rounder corners and accessory holes changed from 8 to 4. Recommended to replace footplate in pairs to match sides.

#1 Adjustable Angle Footplates w/ Pivot Tubes

60 Degree and 70 Degree - Non Tapered Footrests

Straight Slide Tube (10-1/4")	Right	Left
14-15" Wide (5-1/4" Footplate)	1114642	1114643
16-17" Wide (6-1/4" Footplate)	1114644	1114645
18-22" Wide (7-1/4" Footplate)	1114646	1114647
ALPT Straight Slide Tube (12-1/4")	Right	Left
14-15" Wide (5-1/4" Footplate)	1114652	1114653
16-17" Wide (6-1/4" Footplate)	1114654	1114655
18-22" Wide (7-1/4" Footplate)	1114656	1114657

#1 Adjustable Angle Footplates w/ Pivot Tubes

70 Degree - Tapered Footrests

Straight Slide Tube (10-1/4")	Right	Left
16" Wide (4-1/4" Footplate)	1114640	1114641
17-18" Wide (5-1/4" Footplate)	1114642	1114643
19-22" Wide (6-1/4" Footplate)	1114644	1114645
ALPT Straight Slide Tube (12-1/4")	Right	Left
16" Wide (4-1/4" Footplate)	1114650	1114651
17-18" Wide (5-1/4" Footplate)	1114652	1114653
19-22" Wide (6-1/4" Footplate)	1114654	1114655

Front Riggings - Adjustable Angle Footplate Assemblies - AT5543

#13 Adjustable Angle Footplates w/ Pivot Tubes

Wedge Style AT5044 and ELRSS Elevating Legrests

Straight Slide Tube (10-1/4")	Right	Left
14-15" Wide (5-1/4" Footplate)	1132061	1132062
16-17" Wide (6-1/4" Footplate)	1132063	1132064
18-22" Wide (7-1/4" Footplate)	1132065	1132066
ALPT Straight Slide Tube (12-1/4")	Right	Left
14-15" Wide (5-1/4" Footplate)	1132089	1132090
16-17" Wide (6-1/4" Footplate)	1132091	1132092
18-22" Wide (7-1/4" Footplate)	1132093	1132094