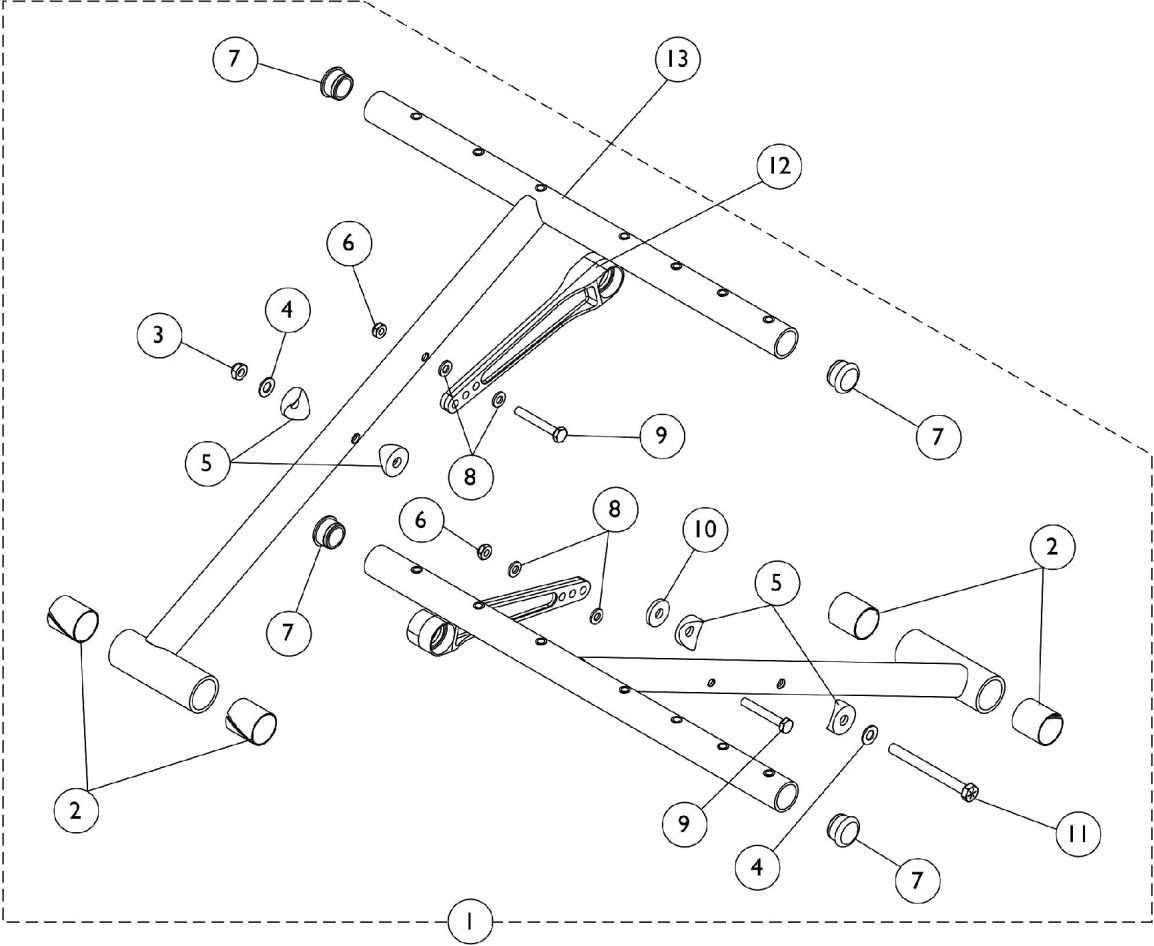


# Crossbraces and Hardware - Non-Heavy Duty



## Crossbraces and Hardware - Non-Heavy Duty

Item Number	Note	Part Number	Description	Quantity Per	
				Package	Assembly
1	A	1130544	Kit, Crossbrace Hardware	1	1
2			Sleeve, Bearing	1	4
3			Locknut (5/16-24)	1	1
4			Washer, Flat (5/16 x 5/8 x 1/16")	1	2
5			Spacer, Coved (3/4 x 1 x 1/2")	1	4
6			Locknut (1/4-28)	1	2
7			Plug Button, Black (1")	1	4
8			NLA - Washer (1/4 x 5/8 x 1/16")	1	4
9			Screw, Hex Head (1/4-28 x 1-3/4")	1	2
10			Washer, Nylon (5/16 x 7/8 x 1/8")	1	1
11			NLA - Screw, Hex Head (5/16-24 x 3-1/4")	1	1
12	B	1131374	Link, Pivot, Black (14 - 15" W)	1	2
12	C	1128054	Link, Pivot, Black (16 - 17" W)	1	2
12	D	1128055	Link, Pivot, Black (18 - 20" W)	1	2
13		See Chart	#13 Crossbraces - Non Heavy Duty	1	1
<b>NOTE:</b> A - Includes items 2-11 B - Non Heavy Duty, 14-15" Wide chairs C - Non Heavy Duty, 16-17" Wide chairs D - Non Heavy Duty, 18-20" Wide chairs					

# Crossbraces and Hardware - Non-Heavy Duty

## #13 Crossbraces - Non Heavy Duty

Chair Depth	14" Wide	15" Wide	16" Wide	17" Wide	18" Wide	19" Wide	20" Wide
14" - Right	1130413	1130423	1130433	1130443	1130453	N/A	N/A
14" - Left	1130414	1130424	1130434	1130444	1130454	N/A	N/A
15" - Right	1130415	1130425	1130435	1130445	1130455	N/A	N/A
15" - Left	1130416	1130426	1130436	1130446	1130456	N/A	N/A
16" - Right	1130417	1130427	1130437	1130447	1130457	1130467	1130477
16" - Left	1130418	1130428	1130438	1130448	1130458	1130468	1130478
17" - Right	1130419	1130429	1130439	1130449	1130459	1130469	1130479
17" - Left	1130420	1130430	1130440	1130450	1130460	1130470	1130480
18" - Right	1130421	1130431	1130441	1130451	1130461	1130471	1130481
18" - Left	1130422	1130432	1130442	1130452	1130462	1130472	1130482
19" - Right	N/A	N/A	N/A	N/A	1130463	1130473	1130483
19" - Left	N/A	N/A	N/A	N/A	1130464	1130474	1130484
20" - Right	N/A	N/A	N/A	N/A	1130465	1130475	1130485
20" - Left	N/A	N/A	N/A	N/A	1130466	1130476	1130486