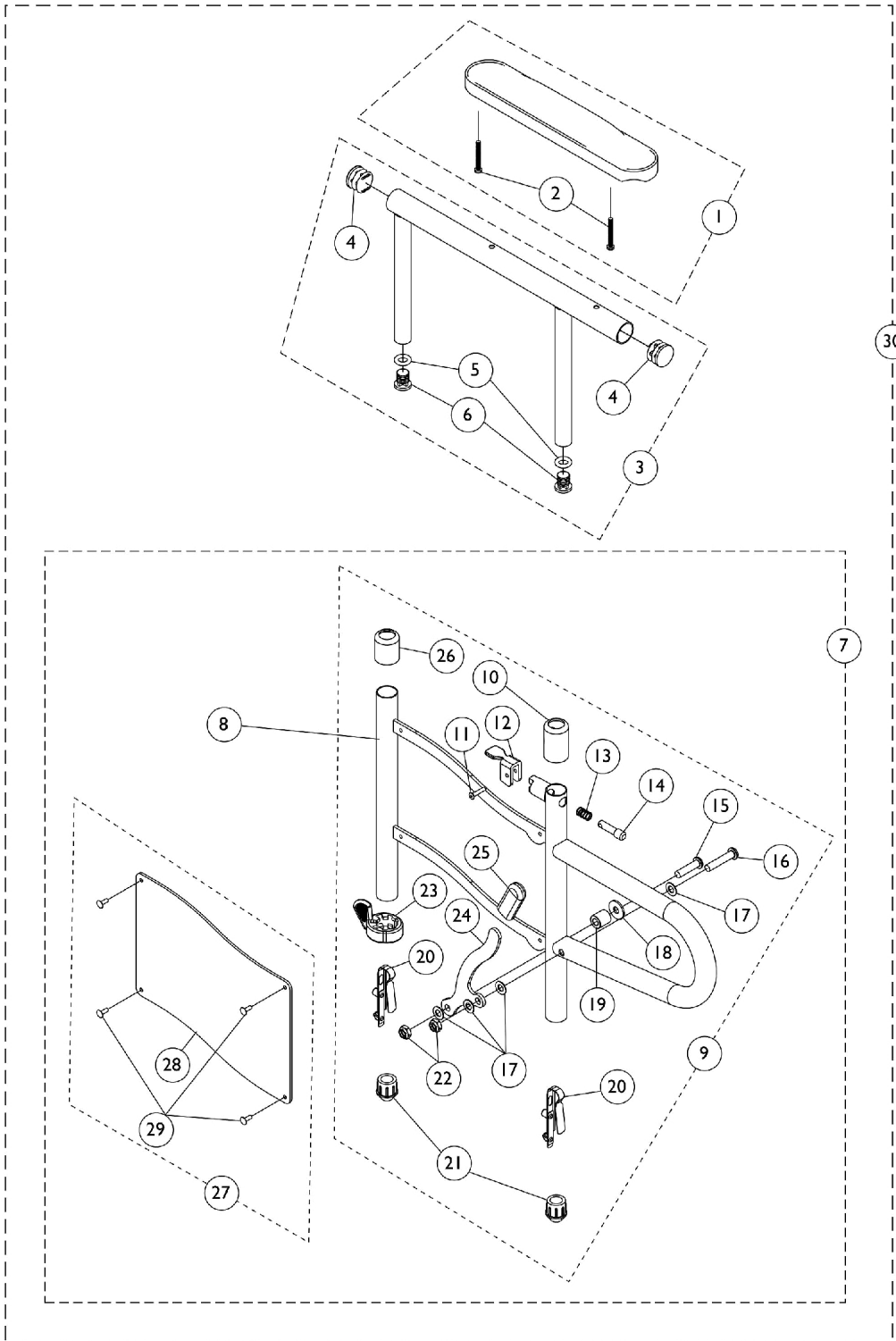


Conventional Adjustable Height Arms

Due to quality improvements, items 7, 8, 9, and 30 must be replaced in pairs for chairs built before 11/01/06. For chairs built after 10/31/06, those items may still be ordered for a specified right or left.



Conventional Adjustable Height Arms

Due to quality improvements, items 7, 8, 9, and 30 must be replaced in pairs for chairs built before 11/01/06. For chairs built after 10/31/06, those items may still be ordered for a specified right or left.

Item Number	Note	Part Number	Description	Quantity Per	
				Package	Assembly
1	A	8881053570	Kit, Arm Pad w/ Screws, Desk Length (Pair)	2	1
1	A	8881053571	Kit, Arm Pad w/ Screws, Full Length (Pair)	2	1
2		1055949	Package, Screw, Phillips Pan Head (#10-32 x 1-3/8")	2	1
3	B	1132503	Arm Tube Assembly w/ Plug Buttons, Desk Length, Black - Right/Left	1	1
3	B	1132504	Arm Tube Assembly w/ Plug Buttons, Full Length, Black - Right/Left	1	1
4	G	1130582	Package, Plug Button, Black (7/8")	10	1
5	G	1142473-NLA	NLA - Package, O-Rings #204 (23/64" x 41/64" x 9/64")	10	1
6	G	1130583	Package, Plug Button, Black (5/8")	10	1
7	C,D	1132501	Arm Base Assembly, Conventional Adj. Height - Right	1	1
8			Arm Base, Conventional, Black - Right/Left	1	1
10			Anti-Rattle	1	1
11			NLA - Rivet, Aluminum (1/8")	1	1
12			Handle, Release, Black	1	1
13			Spring, Arm Lock	1	1
14			Pin, Arm Lock, Black	1	1
15			NLA - Screw, Allen Button Head (1/4-28 x 1")	1	1
16			NLA - Screw, Socket Button Head (1/4-28 x 1-1/4")	1	1
17			Washer, Nylon (1/4 x 1/2 x 1/32")	1	4
18			Washer (1/4 x 23/32 x 1/16")	1	1
19			NLA - Spacer (1/4 x 1/2 x 1/2")	1	1
20			Spring, Torsion with Button Lock	1	2
21			Plug, Armrest, Black (3/4") (20GA)	1	2
22			Locknut (1/4-28)	1	2
23			Handle, Quad Release	1	1
24			Bracket, Release Handle, Black	1	1
25			Tip, Plastic, Black	1	1
26			NLA - Anti-Rattle	1	1
28			NLA - Guard, Clothing - Right	1	1
29			Rivet	1	4
7	C,D	1132502	Arm Base Assembly, Conventional Adj. Height - Left	1	1
8			Arm Base, Conventional, Black - Right/Left	1	1
10			Anti-Rattle	1	1
11			NLA - Rivet, Aluminum (1/8")	1	1
12			Handle, Release, Black	1	1
13			Spring, Arm Lock	1	1
14			Pin, Arm Lock, Black	1	1
15			NLA - Screw, Allen Button Head (1/4-28 x 1")	1	1
16			NLA - Screw, Socket Button Head (1/4-28 x 1-1/4")	1	1
17			Washer, Nylon (1/4 x 1/2 x 1/32")	1	4
18			Washer (1/4 x 23/32 x 1/16")	1	1
19			NLA - Spacer (1/4 x 1/2 x 1/2")	1	1

Conventional Adjustable Height Arms

Due to quality improvements, items 7, 8, 9, and 30 must be replaced in pairs for chairs built before 11/01/06. For chairs built after 10/31/06, those items may still be ordered for a specified right or left.

Item Number	Note	Part Number	Description	Quantity Per	
				Package	Assembly
20			Spring, Torsion with Button Lock	1	2
21			Plug, Armrest, Black (3/4") (20GA)	1	2
22			Locknut (1/4-28)	1	2
23			Handle, Quad Release	1	1
24			Bracket, Release Handle, Black	1	1
25			Tip, Plastic, Black	1	1
26			NLA - Anti-Rattle	1	1
28			Guard, Clothing - Left	1	1
29			Rivet	1	4
8	D	1132484	Arm Base, Conventional, Black - Right/Left	1	1
9	D,I	1130581	Kit, Arm Base Hardware	1	1
10			Anti-Rattle	1	1
11			NLA - Rivet, Aluminum (1/8")	1	1
12			Handle, Release, Black	1	1
13			Spring, Arm Lock	1	1
14			Pin, Arm Lock, Black	1	1
15			NLA - Screw, Allen Button Head (1/4-28 x 1")	1	1
16			NLA - Screw, Socket Button Head (1/4-28 x 1-1/4")	1	1
17			Washer, Nylon (1/4 x 1/2 x 1/32")	1	4
18			Washer (1/4 x 23/32 x 1/16")	1	1
19			NLA - Spacer (1/4 x 1/2 x 1/2")	1	1
20			Spring, Torsion with Button Lock	1	2
21			Plug, Armrest, Black (3/4") (20GA)	1	2
22			Locknut (1/4-28)	1	2
23			Handle, Quad Release	1	1
24			Bracket, Release Handle, Black	1	1
25			Tip, Plastic, Black	1	1
26			NLA - Anti-Rattle	1	1
25	H	1127688	Package, Plastic Tip, Black	10	1
27	E	1130580-NLA	NLA - Kit, Clothing Guard	1	1
28			NLA - Guard, Clothing - Right	1	1
28			Guard, Clothing - Left	1	1
29			Rivet	1	8
30	D,F	8881130613	Arm Assembly, Conventional Adj. Height Desk Length - Right	1	1
1			Arm Pad, Desk Length w/ Law Label	1	1
2			Package, Screw, Phillips Pan Head (#10-32 x 1-3/8")	2	1
3			Tube, Arm, Desk Length, Black	1	1
4			Plug Button, Black (7/8")	1	2
5			O-Ring (23/64" x 41/64" x 9/64")	1	2
6			Plug Button, Black (5/8")	1	2
8			Arm Base, Conventional, Black - Right/Left	1	1
10			Anti-Rattle	1	2
11			NLA - Rivet, Aluminum (1/8")	1	1
12			Handle, Release, Black	1	1

Conventional Adjustable Height Arms

Due to quality improvements, items 7, 8, 9, and 30 must be replaced in pairs for chairs built before 11/01/06. For chairs built after 10/31/06, those items may still be ordered for a specified right or left.

Item Number	Note	Part Number	Description	Quantity Per	
				Package	Assembly
13			Spring, Arm Lock	1	1
14			Pin, Arm Lock, Black	1	1
15			NLA - Screw, Allen Button Head (1/4-28 x 1")	1	1
16			NLA - Screw, Socket Button Head (1/4-28 x 1-1/4")	1	1
17			Washer, Nylon (1/4 x 1/2 x 1/32")	1	4
18			Washer (1/4 x 23/32 x 1/16")	1	1
19			NLA - Spacer (1/4 x 1/2 x 1/2")	1	1
20			Spring, Torsion with Button Lock	1	2
21			Plug, Armrest, Black (3/4") (20GA)	1	2
22			Locknut (1/4-28)	1	2
23			Handle, Quad Release	1	1
24			Bracket, Release Handle, Black	1	1
25			Tip, Plastic, Black	1	1
26			NLA - Anti-Rattle	1	1
28			NLA - Guard, Clothing - Right	1	1
29			Rivet	1	4
30	D,F	8881130614	Arm Assembly, Conventional Adj. Height Desk Length - Left	1	1
1			Arm Pad, Desk Length w/ Law Label	1	1
2			Package, Screw, Phillips Pan Head (#10-32 x 1-3/8")	2	1
3			Tube, Arm, Desk Length, Black	1	1
4			Plug Button, Black (7/8")	1	2
5			O-Ring (23/64" x 41/64" x 9/64")	1	2
6			Plug Button, Black (5/8")	1	2
8			Arm Base, Conventional, Black - Right/Left	1	1
10			Anti-Rattle	1	1
11			NLA - Rivet, Aluminum (1/8")	1	1
12			Handle, Release, Black	1	1
13			Spring, Arm Lock	1	1
14			Pin, Arm Lock, Black	1	1
15			NLA - Screw, Allen Button Head (1/4-28 x 1")	1	1
16			NLA - Screw, Socket Button Head (1/4-28 x 1-1/4")	1	1
17			Washer, Nylon (1/4 x 1/2 x 1/32")	1	4
18			Washer (1/4 x 23/32 x 1/16")	1	1
19			NLA - Spacer (1/4 x 1/2 x 1/2")	1	1
20			Spring, Torsion with Button Lock	1	2
21			Plug, Armrest, Black (3/4") (20GA)	1	2
22			Locknut (1/4-28)	1	2
23			Handle, Quad Release	1	1
24			Bracket, Release Handle, Black	1	1
25			Tip, Plastic, Black	1	1
26			NLA - Anti-Rattle	1	1
28			Guard, Clothing - Left	1	1
29			Rivet	1	4

Conventional Adjustable Height Arms

Due to quality improvements, items 7, 8, 9, and 30 must be replaced in pairs for chairs built before 11/01/06. For chairs built after 10/31/06, those items may still be ordered for a specified right or left.

Item Number	Note	Part Number	Description	Quantity Per		
				Package	Assembly	
30	D,F	8881130615	Arm Assembly, Conventional Adj. Height Full Length - Right	1	1	
1			NLA - Pad, Arm, Full Length w/ Law Label	1	1	
2			Package, Screw, Phillips Pan Head (#10-32 x 1-3/8")	2	1	
3			Tube, Arm, Full Length, Black	1	1	
4			Plug Button, Black (7/8")	1	2	
5			O-Ring (23/64" x 41/64" x 9/64")	1	2	
6			Plug Button, Black (5/8")	1	2	
8			Arm Base, Conventional, Black - Right/Left	1	1	
10			Anti-Rattle	1	1	
11			NLA - Rivet, Aluminum (1/8")	1	1	
12			Handle, Release, Black	1	1	
13			Spring, Arm Lock	1	1	
14			Pin, Arm Lock, Black	1	1	
15			NLA - Screw, Allen Button Head (1/4-28 x 1")	1	1	
16			NLA - Screw, Socket Button Head (1/4-28 x 1-1/4")	1	1	
17			Washer, Nylon (1/4 x 1/2 x 1/32")	1	4	
18			Washer (1/4 x 23/32 x 1/16")	1	1	
19			NLA - Spacer (1/4 x 1/2 x 1/2")	1	1	
20			Spring, Torsion with Button Lock	1	2	
21			Plug, Armrest, Black (3/4") (20GA)	1	2	
22			Locknut (1/4-28)	1	2	
23			Handle, Quad Release	1	1	
24			Bracket, Release Handle, Black	1	1	
25			Tip, Plastic, Black	1	1	
26			NLA - Anti-Rattle	1	1	
28			NLA - Guard, Clothing - Right	1	1	
29			Rivet	1	4	
30	D,F		8881130616	Arm Assembly, Conventional Adj. Height Full Length - Left	1	1
1				NLA - Pad, Arm, Full Length w/ Law Label	1	1
2		Package, Screw, Phillips Pan Head (#10-32 x 1-3/8")		2	1	
3		Tube, Arm, Full Length, Black		1	1	
4		Plug Button, Black (7/8")		1	2	
5		O-Ring (23/64" x 41/64" x 9/64")		1	2	
6		Plug Button, Black (5/8")		1	2	
8		Arm Base, Conventional, Black - Right/Left		1	1	
10		Anti-Rattle		1	1	
11		NLA - Rivet, Aluminum (1/8")		1	1	
12		Handle, Release, Black		1	1	
13		Spring, Arm Lock		1	1	
14		Pin, Arm Lock, Black		1	1	
15		NLA - Screw, Allen Button Head (1/4-28 x 1")		1	1	
16		NLA - Screw, Socket Button Head (1/4-28 x 1-1/4")		1	1	

Conventional Adjustable Height Arms

Due to quality improvements, items 7, 8, 9, and 30 must be replaced in pairs for chairs built before 11/01/06. For chairs built after 10/31/06, those items may still be ordered for a specified right or left.

Item Number	Note	Part Number	Description	Quantity Per	
				Package	Assembly
17			Washer, Nylon (1/4 x 1/2 x 1/32")	1	4
18			Washer (1/4 x 23/32 x 1/16")	1	1
19			NLA - Spacer (1/4 x 1/2 x 1/2")	1	1
20			Spring, Torsion with Button Lock	1	2
21			Plug, Armrest, Black (3/4") (20GA)	1	2
22			Locknut (1/4-28)	1	2
23			Handle, Quad Release	1	1
24			Bracket, Release Handle, Black	1	1
25			Tip, Plastic, Black	1	1
26			NLA - Anti-Rattle	1	1
28			Guard, Clothing - Left	1	1
29			Rivet	1	4

NOTE: A - Specify upholstery color U67 (Black) when ordering.
 B - Includes Upper Arm Tube plus items 4-6.
 C - Includes items 8, 9, 28, and 29.
 D - Due to quality improvements, items 7, 8, 9, and 30 must be replaced in pairs for chairs built Before 11/01/06. For chairs built After 10/31/06, those items may still be ordered for a specified right or left.
 E - Includes items 28 and 29
 F - Includes items 1,3, and 7
 G - Quantities in assembly part nos. (items 3 & 28) will be 2 ea.
 H - Quantities in assembly part nos. (items 6,8, & 28) will be 1 ea.
 I - Includes items 10-26.