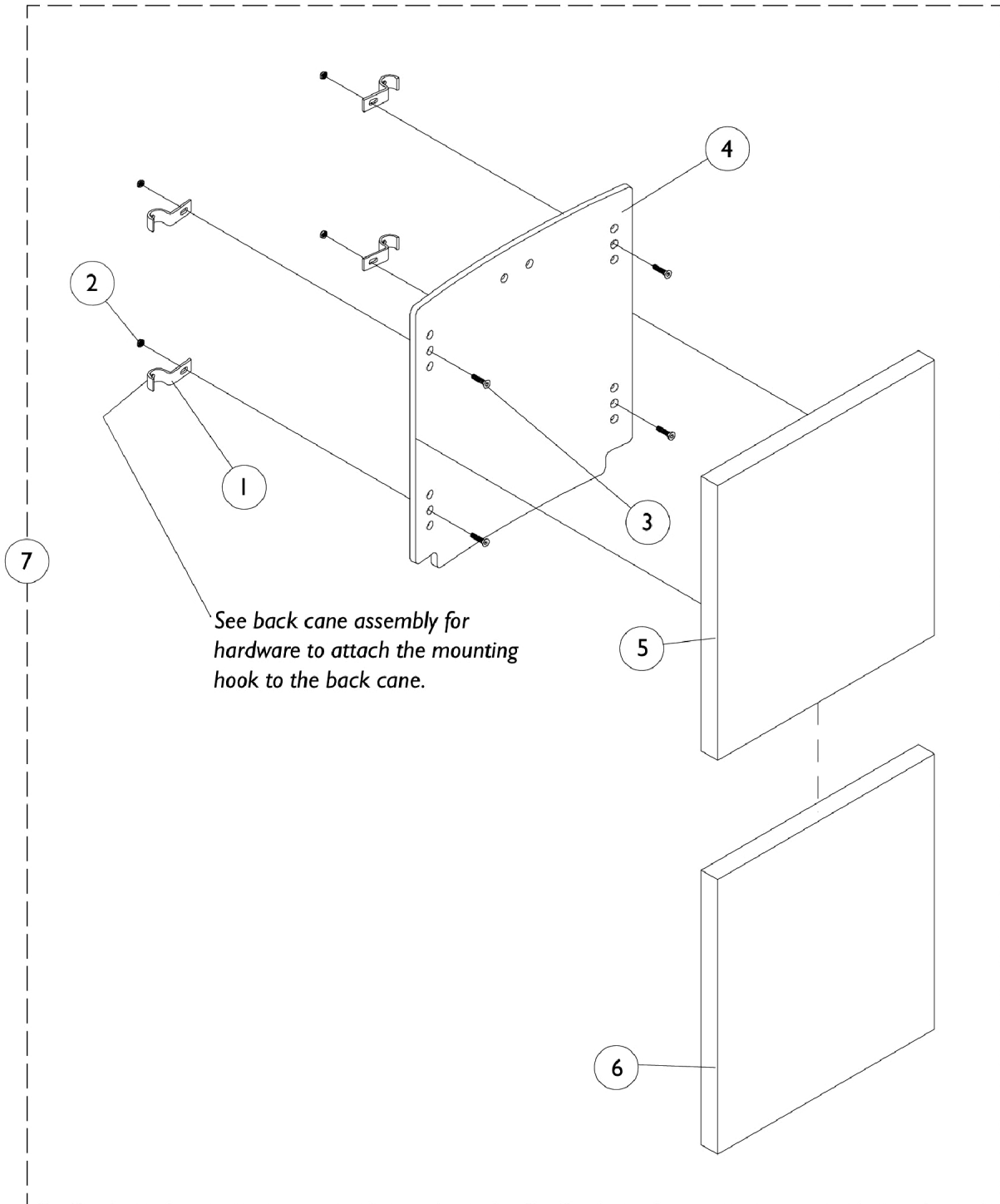


# ABS Curved Back Assembly

**NOTE:** Hook Fastener Adhesive Kit must be ordered when a Back Pan or Back Assembly is requested. This will allow the Loop Fastener Adhesive on the Back Cover to attach properly.



# ABS Curved Back Assembly

**NOTE: Hook Fastener Adhesive Kit must be ordered when a Back Pan or Back Assembly is requested.  
This will allow the Loop Fastener Adhesive on the Back Cover to attach properly.**

Item Number	Note	Part Number	Description	Quantity Per	
				Package	Assembly
1		0124202	Hook, Back Assembly Mounting	1	4
2		7930333	Locknut (1/4-20)	25	4
3		1029545	Screw, Socket Flat Head (1/4-20 x 3/4")	1	4
4-7		See Chart	Item #'s 4-7 A.B.S. Curved Back Assembly	1	1
	A,E	1125723	Kit, Hook Fastener w/ Adhesive Back	1	1
	A,B	0143900-NLA	NLA - Flap, Back Pan - Tarsys	1	1
	A,C	0144000-NLA	NLA - Flap, Back Pan - Tarsys	1	1
	A,D	0144100-NLA	NLA - Flap, Back Pan - Tarsys	1	1

NOTE: A - Not Shown  
 B - 16-17" Wide  
 C - 18-19" Wide  
 D - 20-22" Wide  
 E - Hook Fastener Adhesive Kit is used to attach the Back Cover to the Back Pan and must be ordered when a new Back Pan or Back Assembly is requested.

## Item #'s 4-7 Back

Back Material Width x Height	Overall Back Height	4. Back Pan	5. 1" Back Foam	6. Back Cover	7. Back Assembly w/ Fixed Hardware
14" x 16"	18"-19" H	0048819-NLA	1073070	0010821-NLA	1073098-NLA
15" x 16"	18"-19" H	0048919-NLA	1073077-NLA	0011021-NLA	1073099
16" x 16"	18"-19" H	0049019-NLA	0009720	0011221-NLA	1072790-NLA
17" x 16"	18"-19" H	0049119	0009920-NLA	0011421-NLA	1072791
18" x 16"	18"-19" H	0049219-NLA	0010120-NLA	0011621-NLA	1072792-NLA
19" x 16"	18"-19" H	0049319	0010320-NLA	0011821-NLA	1072793
20" x 16"	18"-19" H	0049419-NLA	0009820-NLA	0012021-NLA	1072794-NLA
21" x 16"	18"-19" H	0049519-NLA	1073078	0304021-NLA	1073100-NLA
22" x 16"	18"-19" H	0049619	1073079	0164421-NLA	1073101
14" x 18"	20"-22" H	1073064-NLA	1073071-NLA	1073093	1073102-NLA
15" x 18"	20"-22" H	1073065-NLA	1073081-NLA	1077077	1073103-NLA
16" x 18"	20"-22" H	0118819-NLA	0010120-NLA	0124321-NLA	1072795-NLA
17" x 18"	20"-22" H	0118919-NLA	0126720-NLA	0124421-NLA	1072796-NLA
18" x 18"	20"-22" H	0119019-NLA	0126820-NLA	0124521-NLA	1072797-NLA
19" x 18"	20"-22" H	0119119-NLA	0126920	0124621-NLA	1072798-NLA
20" x 18"	20"-22" H	0119219-NLA	0010220-NLA	0124721-NLA	1072799-NLA
21" x 18"	20"-22" H	0119319-NLA	1073083-NLA	0304121-NLA	1073104-NLA
22" x 18"	20"-22" H	0119419	1073084-NLA	0304321-NLA	1073105
14" x 20"	23"-25" H	1073066-NLA	1073073	0010921-NLA	1073106-NLA
15" x 20"	23"-25" H	1073067-NLA	1073086-NLA	0011121-NLA	1073107-NLA
16" x 20"	23"-25" H	0125319-NLA	0009820-NLA	0011321-NLA	1072800-NLA
17" x 20"	23"-25" H	0125419-NLA	0010020-NLA	0011521-NLA	1072801
18" x 20"	23"-25" H	0125519-NLA	0010220-NLA	0011721-NLA	1072802-NLA
19" x 20"	23"-25" H	0125619-NLA	0010420	0011921-NLA	1072803-NLA
20" x 20"	23"-25" H	0125719	0010620-NLA	0012121-NLA	1072804-NLA
21" x 20"	23"-25" H	0125819	1073087-NLA	0304221-NLA	1073108

# ABS Curved Back Assembly

**NOTE: Hook Fastener Adhesive Kit must be ordered when a Back Pan or Back Assembly is requested. This will allow the Loop Fastener Adhesive on the Back Cover to attach properly.**

## Item #'s 4-7 Back

Back Material Width x Height	Overall Back Height	4. Back Pan	5. 1" Back Foam	6. Back Cover	7. Back Assembly w/ Fixed Hardware
22" x 20"	23"-25" H	0125919-NLA	1073088-NLA	0158721-NLA	1073109-NLA

NOTE: Some foam size part numbers can accommodate two width and two back heights by turning the foam around 90 degrees. Example would be a (16" W x 20" H) can be (20" W x 16" H) in other applications.