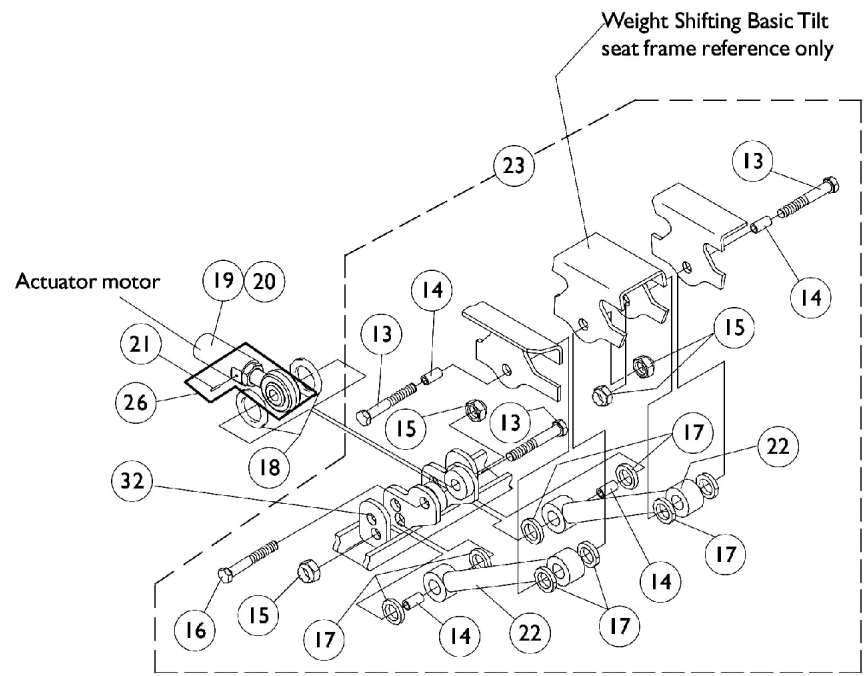
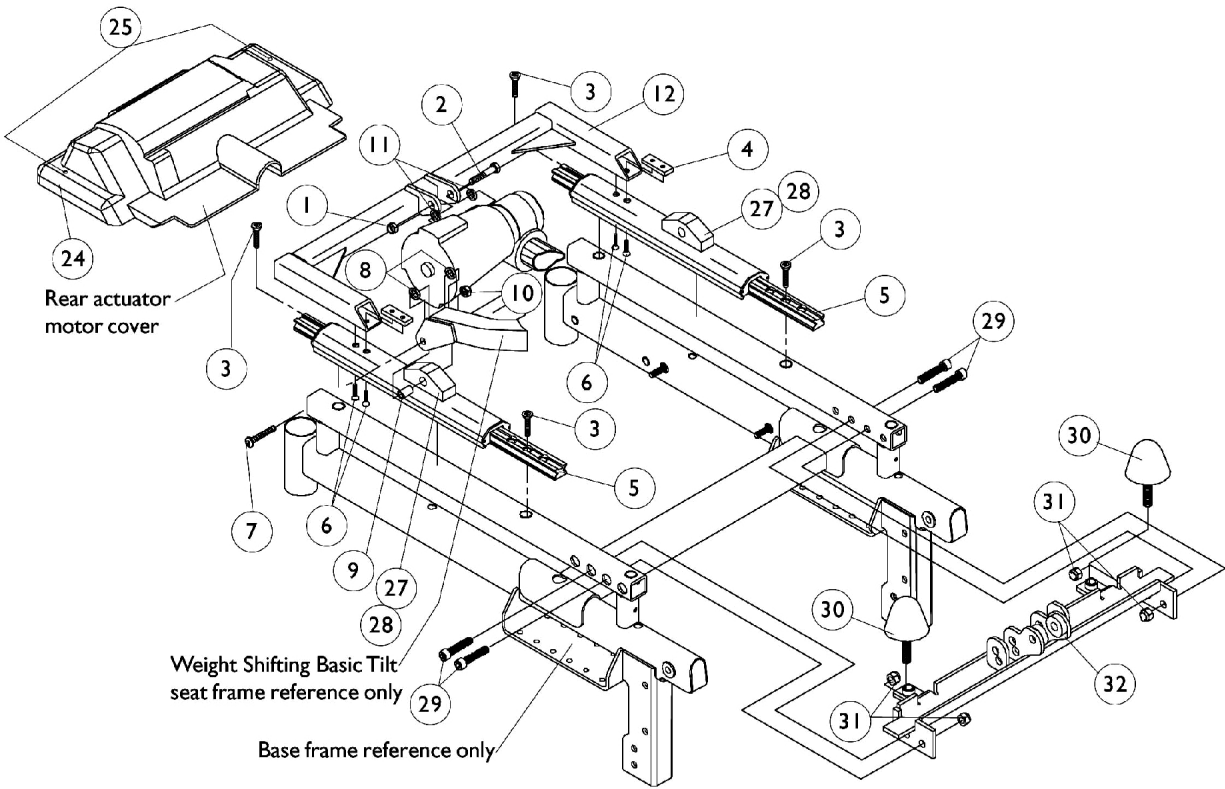


Seat Frame Attaching Hardware



Seat Frame Attaching Hardware

Ranger II MWD and Pronto R2

Item Number	Note	Part Number	Description	Quantity Per	
				Package	Assembly
1		0054106-NLA	NLA - Locknut, High Profile (3/8-16)	1	1
2		1106223	Screw, Socket Head (3/8-16 x 2-1/2")	1	1
3		1117326-NLA	NLA - Screw, Socket Head w/ Patch (5/16-18 x 7/8")	1	6
4		1068139-NLA	NLA - Clamping Bar, Actuator Frame	1	2
5	A,B	1087922-NLA	NLA - Guidance Assembly - Right or Left	1	2
6		0195606-NLA	NLA - Screw, Socket, Cap, Flat Head (1/4-20 x 3/4")	1	4
7		0055506-NLA	NLA - Screw, Button Head, Socket (5/16-18 x 2")	1	2
8		0055800-NLA	NLA - Washer, Nylon (7/16 x 3/4 x 3/32")	1	4
9		1068116-NLA	NLA - Bushing (5/16 x 7/16 x 1")	1	2
10		0054906	Locknut, High Profile (5/16-18)	1	2
11		0053900-NLA	NLA - Washer, Nylon (3/8 x 13/16 x 1/16")	1	2
12		1068143-NLA	NLA - Frame, Actuator, 2G Storm, Black	1	1
13		0258306-NLA	NLA - Screw, Hex Head (3/8-16 x 1-3/4")	1	3
14		0120300	Bushing (3/8 x 1/2 x 7/8")	1	4
15		0054106-NLA	NLA - Locknut, High Profile (3/8-16)	1	4
16		1106223	Screw, Socket Head (3/8-16 x 2-1/2")	1	1
17		0139900	Washer, Nylon (1/2 x 3/4 x 3/32")	1	8
18		0056000-NLA	NLA - O-Ring (1/2 x 7/8 x 3/16")	1	2
19	E	1154068-NLA	NLA - Kit, Actuator Motor, 6-1/2" Stroke	1	1
			Actuator Motor Assembly (6-1/2" Stroke)	1	1
21			NLA - Pin, Roll (1/8" x 7/8")	1	1
			Instruction Sheet, PTO Actuator Installation	1	1
20	C	1077780-NLA	NLA - Kit, Actuator Motor, 6-1/2" Stroke w/ Mounting Hardware	1	1
			Actuator Motor Assembly (6-1/2" Stroke)	1	1
1			NLA - Locknut, High Profile (3/8-16)	1	1
2			Screw, Socket Head (3/8-16 x 2-1/2")	1	1
11			NLA - Washer, Nylon (3/8 x 13/16 x 1/16")	1	2
18			NLA - O-Ring (1/2 x 7/8 x 3/16")	1	2
21			NLA - Pin, Roll (1/8" x 7/8")	1	1
			Instruction Sheet, PTO Actuator Installation	1	1
21		1028848-NLA	NLA - Pin, Roll (1/8" x 7/8")	1	1
22		1068141-NLA	NLA - Link, Black	1	2
23		1081499	Link Assembly, Weight Shift Tilt	1	1
24	D	1084185-NLA	NLA - Cover w/ Attaching Hardware, Rear Actuator	1	1
25		1072695-NLA	NLA - Screw, Phillips Pan Head Tap (#6 x 1/2")	1	2
26		0313900-NLA	NLA - Rod, End with Locknut and Roll Pin	1	1
27		1064694	Block, Pivot, Linear Guidance	1	2
28		1102887	Screw, Socket Flat Head (1/4-20 x 1/2")	1	4
29		1021344	Screw, Socket Head (5/16-18 x 1-1/2")	1	4
30		0225100-NLA	NLA - Bumper, Tilt	1	2
31		1026158	Locknut (5/16-18)	1	4
32		1098615-NLA	NLA - Bracket, Link w/ Caution Decal, Black	1	1

Seat Frame Attaching Hardware

NOTE: A - Guidance assembly changed 11/09/99 replacing right/left side part numbers with one universal part number and serves as a direct replacement for chairs manufactured before 11/09/99 as well.
B - Includes Linear Guidance, Pivot Block and Screws
C - Includes Actuator Assembly and items 1, 2, 11, 18, 21 and Instruction Sheet
D - Includes Items 25
E - Includes Actuator Assembly, item 21 & Instruction Sheet