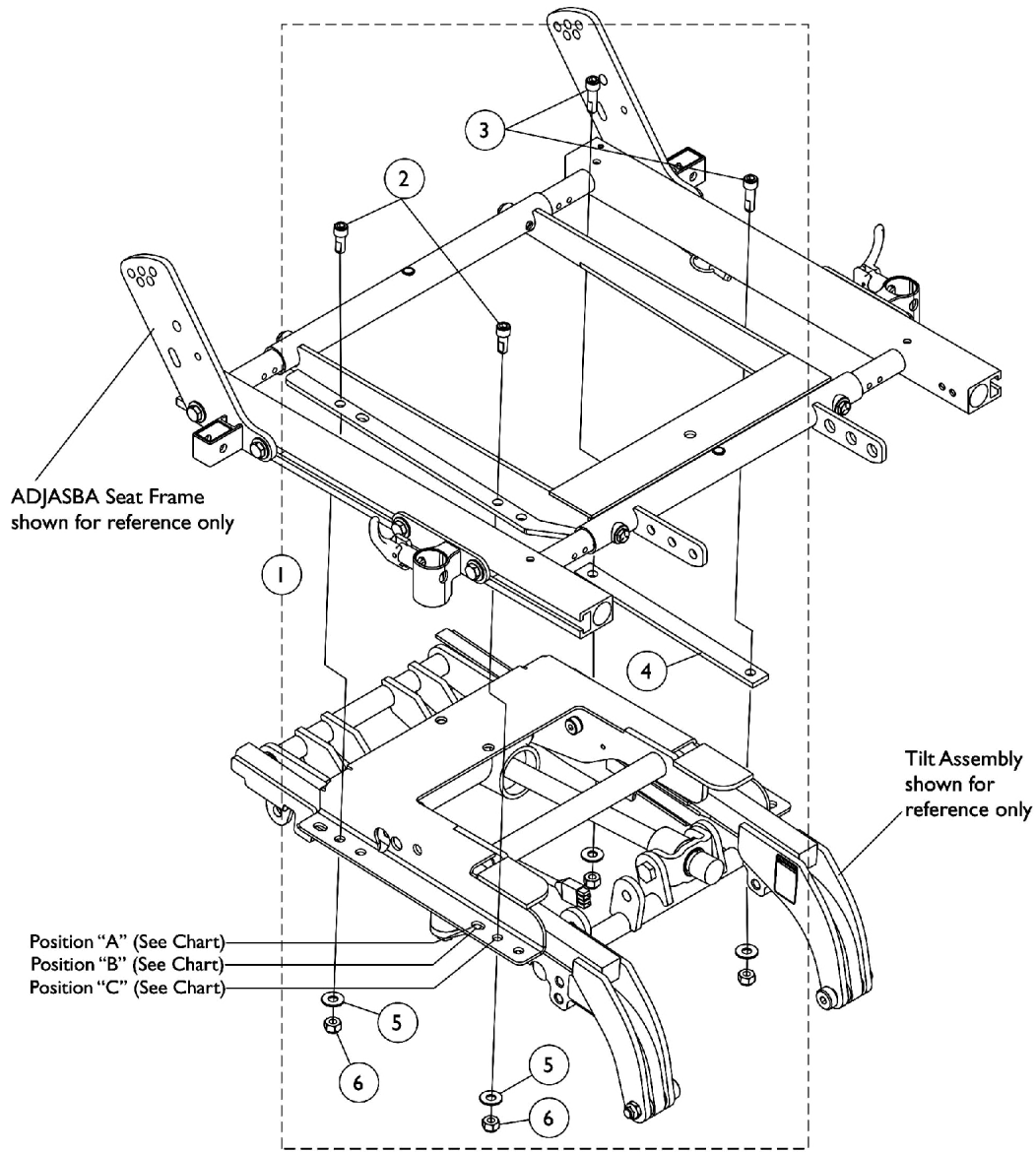


ADJASBA Seat Frame Mounting Hardware (M91 After 10/3/05 User Wgt. U375)



Seat Mounting Positioning Chart

Model	Seat Depth	Mounting Holes
M91	16-17"	A
	18-21"	B
	22"	C

ADJASBA Seat Frame Mounting Hardware (M91 After 10/3/05 User Wgt. U375)

Item Number	Note	Part Number	Description	Quantity Per	
				Package	Assembly
1	A	1146662-NLA	NLA - Kit, ADJASBA Seat Mounting Hardware (U375 Weight Limit, 0 Deg. Setting)	1	1
2			NLA - Screw, Socket Head (5/16-18 x 3/4")	1	2
3			NLA - Screw, Socket Head w/ Patch (5/16-18 x 1")	1	2
4			Shim	1	1
5			Washer, Steel (5/16 x 3/4 x 1/16")	1	4
6			Locknut (5/16-18)	1	4
NOTE: A - Includes items 2 and 6. Shim added 12/1/06. For Chairs manufactured Before 12/1/06, it is recommended to order new hardware and add the shim as shown.					