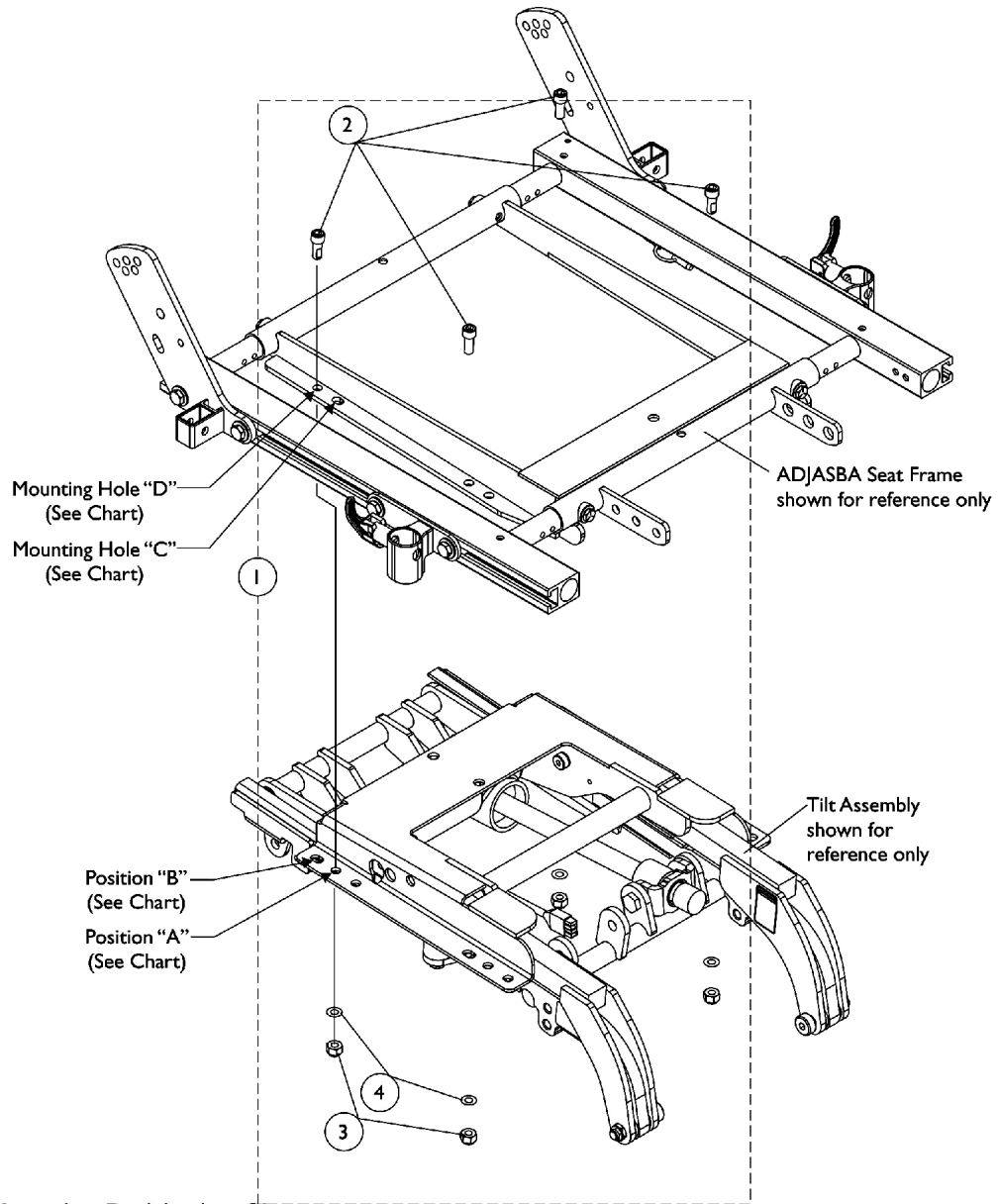


# ADJASBA Seat Frame Mounting Hardware

(TDX After 7/4/05) (M71 After 8/7/05) (M91 After 10/3/05 User Wgt. U275)



**Seat Mounting Positioning Chart**

Model	Seat Depth	Mounting Holes
TDX	16-17"	BD
	18-19"	AD
	20-22"	BD
M71	16-17"	BC
	18-19" Short Frame	AD
	19-20" Long Frame	BC
M91	16-17"	AD
	18-22"	BD

## ADJASBA Seat Frame Mounting Hardware

(TDX After 7/4/05) (M71 After 8/7/05) (M91 After 10/3/05 User Wgt. U275)

Item Number	Note	Part Number	Description	Quantity Per	
				Package	Assembly
1	A	1133806-NLA	NLA - Kit, ADJASBA Seat Mounting Hardware, 0 Degree Setting	1	1
2			NLA - Screw, Socket Head (5/16-18 x 3/4")	1	4
3			Locknut (5/16-18)	1	4
4			Washer, Steel (5/16 x 3/4 x 1/16")	1	4

NOTE: A - Includes items 2 and 4