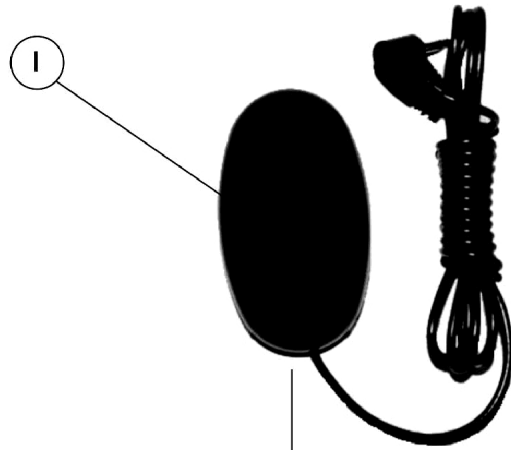


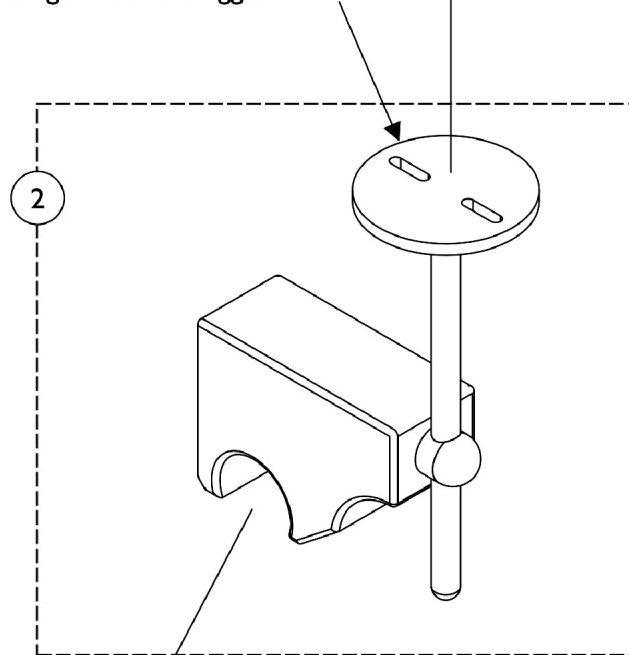
ASL 611 Mount For The Egg Switch

ASL 611 Mount is used to attach an Egg Switch when the Hook & Loop Adhesive method is not preferred



EGSBLK Egg Switch

NOTE: Egg Switch is mounted here with 2 ea.(6-32 x 3/8" Phillip Pan Head Screws) that come packaged with the Egg Switch



NOTE: The ASL 611 Mount assembles to a 7/8" round tube

ASL 611 Mount For The Egg Switch

ASL 611 Mount is used to attach an Egg Switch when the Hook & Loop Adhesive method is not preferred

Item Number	Note	Part Number	Description	Quantity Per	
				Package	Assembly
1	A	1123276	Kit, Switch, Black Egg Reset w/ Hook/Loop Adhesive Back Fastener & Attaching Screws (EGSBLK)	1	1
2	A	1134165	Kit, Mount, ASL 611	1	1

NOTE: A - Individual components are not available